

REV.	Q'TY	ECN. NO.	APR.	DATE

焊脚尺寸以顺畅过孔规为准

NOTES

MATERIAL

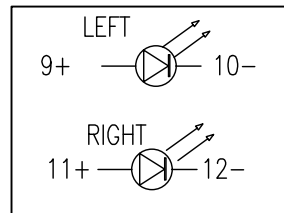
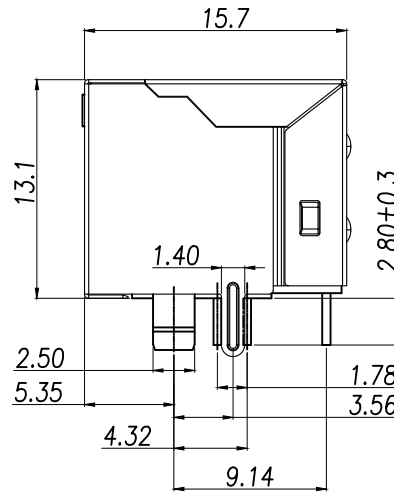
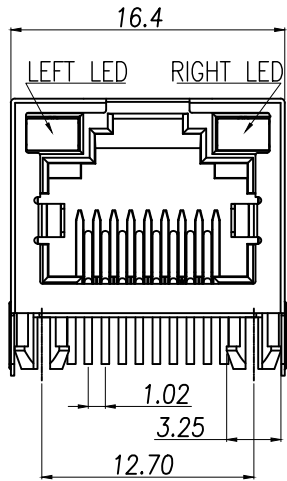
- 1.HOUSING MATERIAL: GLASS FILLED POLYESTER UL94V-0.
 - 2.CONTACT MATERIAL: PHOSPHOR BRONZE $\phi 0.46\text{mm}$.
 - 3.PLATING: GOLD FLASH PLATING OVER NICKEL.
 - 4.SHIELD: BRASS T0.20mm 40u" NICKEL PLATED.
- ELECTRICAL
- 1.VOLTAGE RATING: 125 VAC RMS.
 - 2.CURRENT RATING: 1.5 AMP.
 - 3.CONTACT RESISTANCE: 40 MILLIOHMS MAX.
 - 4.INSULATION RESISTANCE: 500 MEGOHMS MIN @ 100V DC .
 - 5.DIELECTRIC DIELECTRIC RESISTANCE: 500V DC RMS 50Hz. 1MIN.

MECHANICAL

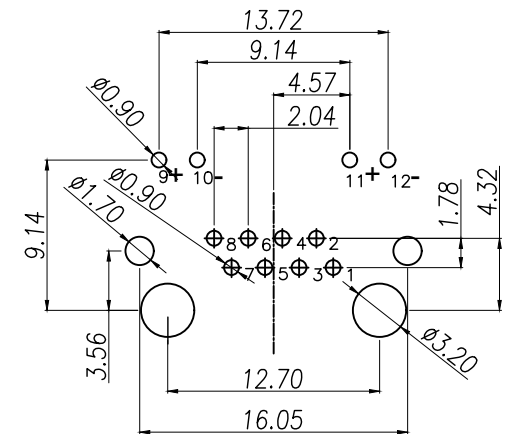
- 1.DURRABILITY: 750 CYCLES MIN.
- 2.MATING/UNMATING FORCE: 2.24 KG.F MAX.

ENVIRONMENTAL:

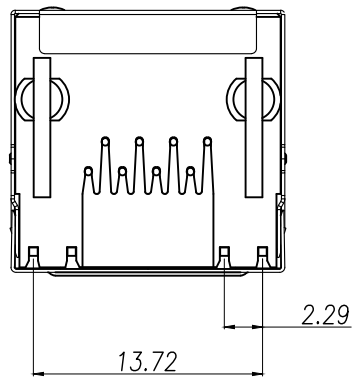
- 1.STORAGE: $-40^{\circ}\sim+85^{\circ}$.
- 2.OPERATION: $-40^{\circ}\sim+85^{\circ}$.



8	—
7	—
6	RX-
5	—
4	—
3	RX+
2	TX-
1	TX+
PIN	说明



PCBLAYOUT
TOL:±0.05



DIMENSION IN mm		厦门市辛译精密电子有限公司 Xiamen XinYi Xyeconn Electronics Co.,Ltd			
TOLERANCE UNLESS OTHERWISE SPECIFIED		TITLE: RJ45 56B 数据线 数据线 DIP			
.X±0.35	X.*±3	APR.	Alex	DWG NO. XY-RJ45R08PA	
.XX±0.25	.X.*±2	CHK.	Jack	PROJ. CUSTOMER DRAWING	
.XXX±0.15	.XX.*±1*	DRA.	Can	SIZE A4	SCALE 1:1
				SHEET 1/1	REV. A