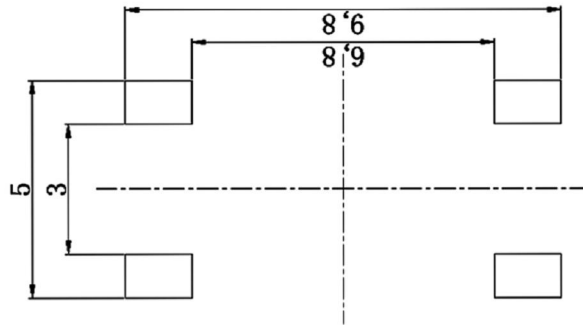
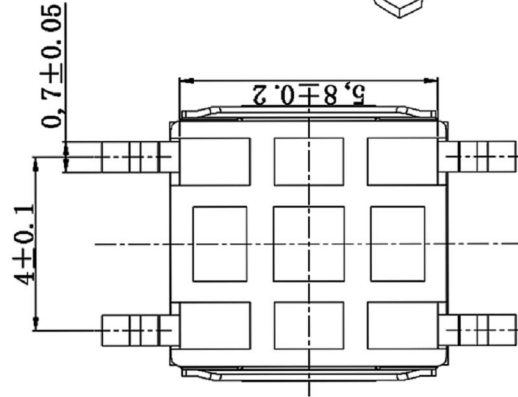
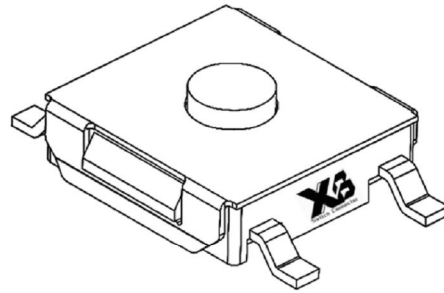
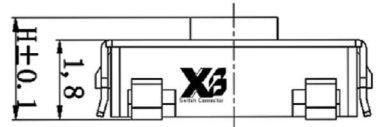
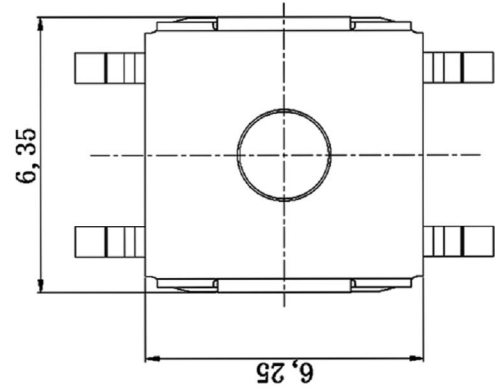
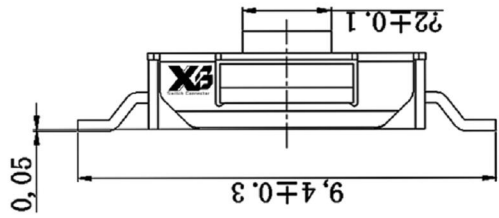
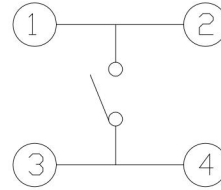


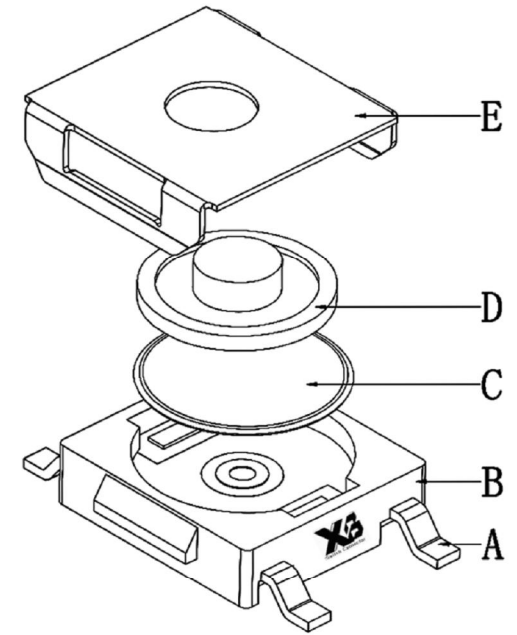
ROHS



PCB LAYOUT MOUNTING PATTERN



CIRCUIT DIAGRAM



SPECIFICATIONS

Rating	50mA 12V DC
Contact Resistance	100 兆欧
Travel	0.25±0.1mm
Operating Force	100±30gF
Operating Life(cycles)	100万次

序号	名称	材料	数量	备注
A	卡件	黄铜 0.25	1	镀银
B	基座	PPA	1	清洗
C	簧片	不锈钢覆银	1	
D	按钮	硅胶	1	蓝色
E	盖板	不锈钢 0.15	1	清洗

The material contained in this drawing is the property of XiBang. Any use other than that specifically authorized by XiBang is prohibited. The above drawing is subjected to change for improvement without prior notice.



东莞市溪榜电子有限公司
DONG GUAN XI BANG ELECTRONICS CO., LTD

TITLE : XB TACT SWITCH

MODEL : XB-TS-6625M 硅胶开关防水6.25x6.35x2.5mm



TOLERANCE
≤1.5mm ± 0.1
> 1.5mm ± 0.2
>=10.0mm ± 0.3

ANGLE TOL
± 2°

UNIT : MM	DWN.	DATE
SCALE : 5 : 1	CHK'D	DATE
VERSION : 01	APPD.	DATE

NO.	PART NAME	MATERIAL	QTY.	FINISHING
8	REEL	PS	1	BLUE
7	CARRIER	PS	1	CLEAR
6	COVER TAPE	PS	1	CLEAR
5	CONTACT	PBS STRIP	1	Ag CLAD
4	COVER	IRON STRIP	1	Ni PLATED
3	CASE	NYLON	1	BLACK
2	TERMINAL	BRASS STRIP	2	Ag PLATED
1	KNOB	NYLON	1	BLACK