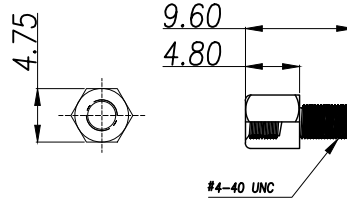
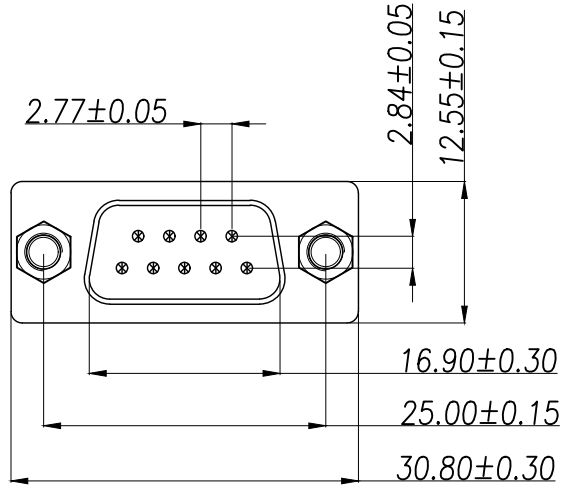


REV.	Q'TY	ECN. NO.	APR.	DATE



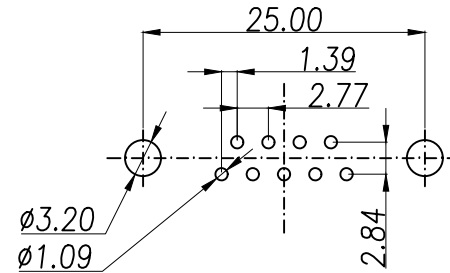
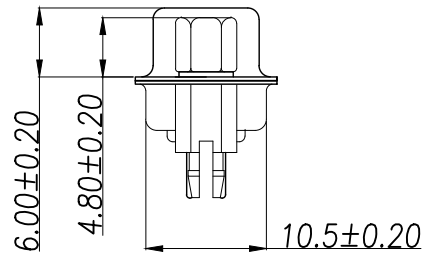
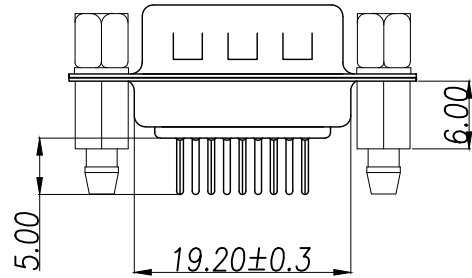
MATERIAL:

- 1. Insulator: PBT+30% Glass Fiber
- 2. Contact: Brass
- 3. Contact Plated: Gold Flash over Tin Or Gold Plated Or Tin Plated
- 4. Shell: Steel, Nickel Plated

SPECIFICATION:

- 1. Current Rating: 3 AMPS
- 2. Insulation Resistance: 100MΩ MIN. At 500VDC
- 3. Dielectric Strength: 500V for One minute
- 4. Operation Temperature: -55° C ~ +105° C.

※【颜色、防火要求、环保要求及电镀规格 依据客户实际订单要求为准】



RECOMMEND PCB LAYOUT (T=1.6)
PCB TOLERANCE: ±0.05

DIMENSION IN mm		厦门市辛译精密电子有限公司 Xiamen XinYi Xyconn Electronics Co.,Ltd		
TOLERANCE UNLESS OTHERWISE SPECIFIED		APR.	Alex	TITLE: DP-9M 9.6mm
.X±0.35	X.*± 5'	CHK.	Jack	DWG NO. XYDMS009-PM
.XX±0.25	.X.*± 3'	DRA.	Can	PROJ. CUSTOMER DRAWING
.XXX±0.15	.XX.*± 1'	SIZE	A4	SCALE 1:1 SHEET 1/1 REV. A