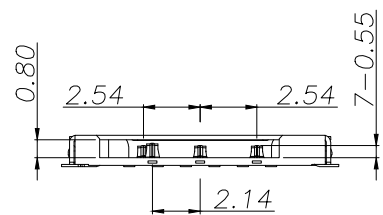
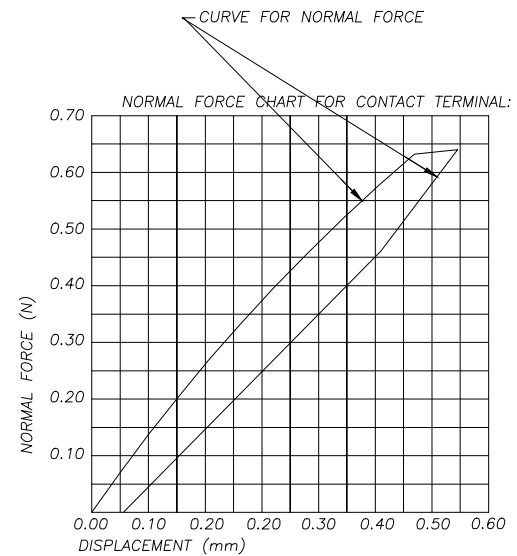
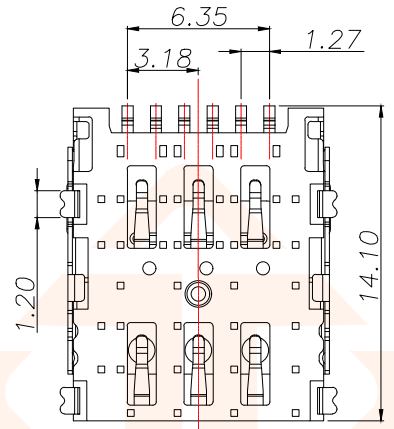
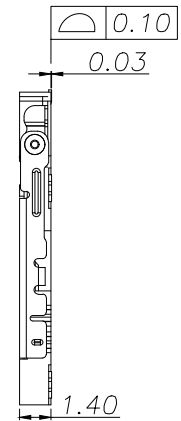
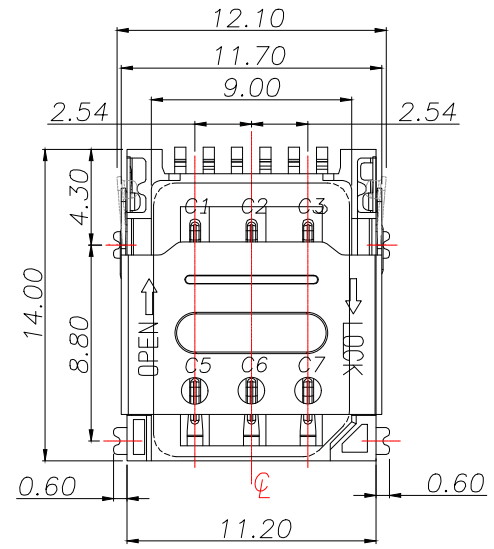
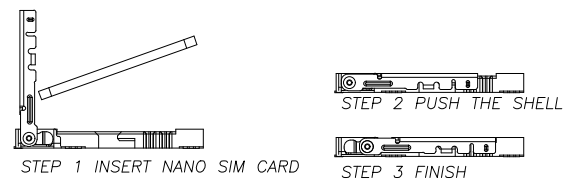
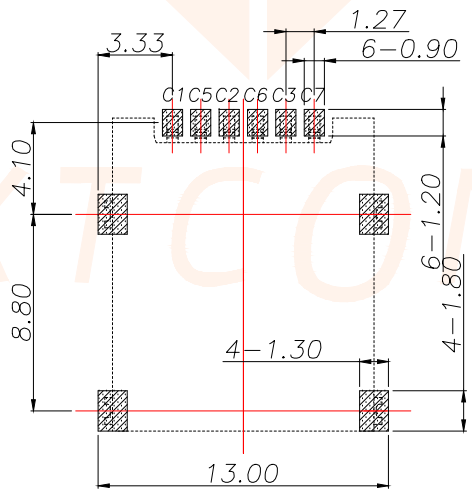




REV.	ECN NO.	DESCRIPTION	DATE	DESIGN



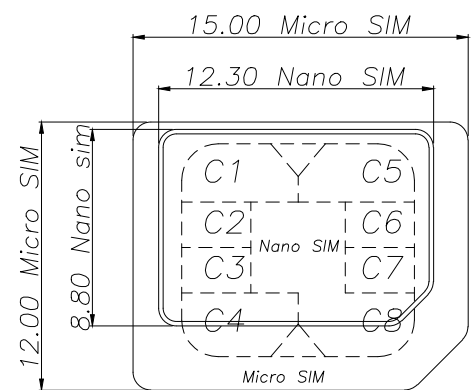
NANO SIM CARD	
Pin No.	NAME
C1	VCC OF SIM
C2	RST OF SIM
C3	CLK OF SIM
C5	GND OF SIM
C6	VPP OF SIM
C7	I/O OF SIM
C4/C8	N/A



PAD AREA
 KEEP OUT AREA

RECOMMENDED PCB LAYOUT
 GENERAL TOLERANCE ± 0.05

- NOTES:
- MATERIAL:
 - Housing: High Temperature Thermoplastic UL94V-0; Color Black.
 - Terminal: Copper Alloy, T=0.12mm.
 - Shell: Stainless Steel, T=0.20mm.
 - FINISH:
 - Terminal: Plated Gold on The Contact Area and Solder Tails
 - Peg: Plated Gold on the bottom of the Solder Tails, Tin Plated over all.
 - SPECIALITY:
 - Rated current: 0.5A
 - Rated voltage: 50V
 - Contact Resistance: 80m Ω MAX
 - Insulation Resistance: 100M Ω MIN 100V DC
 - Dielectric withstanding voltage: 100V AC.
 - Solder ability: 245 \pm 5 $^{\circ}$ C, 5 \pm 0.5s.
 - Operating condition: Temperature: -40 $^{\circ}$ C~+85 $^{\circ}$ C Humidity: 80% R.H MAX

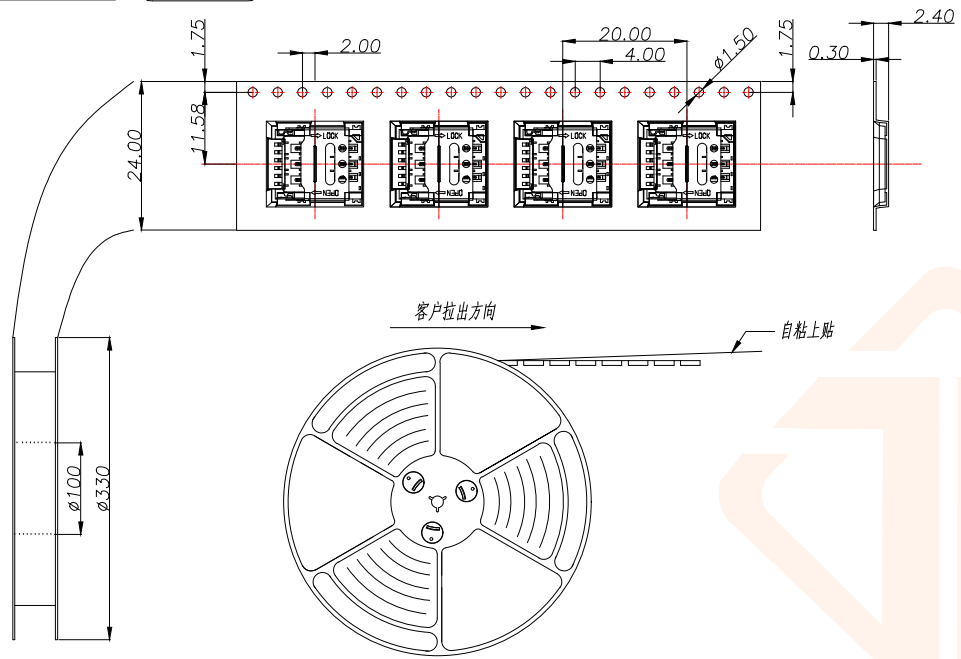


③	TERMINAL	6	C5210-EH, T=0.12	G/F PLATING
②	BASE INSULATOR	1	LCP+GF30%	BLACK
①	SHELL	1	SUS304-H, T=0.15	AU/Ni PLATING
NO.	PART NAME	Q'TY	DESCRIPTION	NOTE

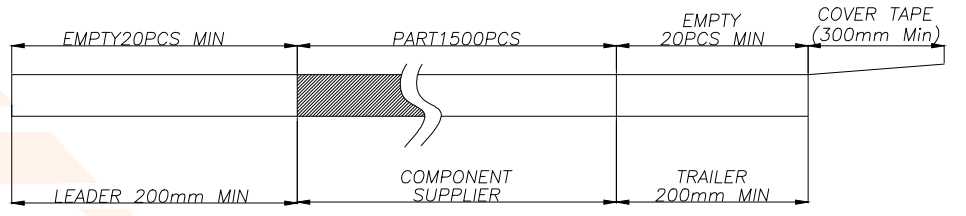
TOLERANCE		深圳聚兴泰电子科技有限公司 Shenzhen Juxingtai Electronic Technology Co., Ltd		
X. \pm 0.50	X. \pm 2'	PART NO.	TITLE: 6PIN 1.4H HINGE	
X.X \pm 0.20	X.X \pm 1'	NANO SIM 6P 1.4H HINGE	NANO SIM CARD CONN.	
X.XX \pm 0.10		DESIGN: Ethan	MANUFACTURE DWG	
UNITS	mm	CHED: Olvia	SCALE SHEET N:A 1/2	
MATERILA	---	APPD: Ava		
FINISH	---			



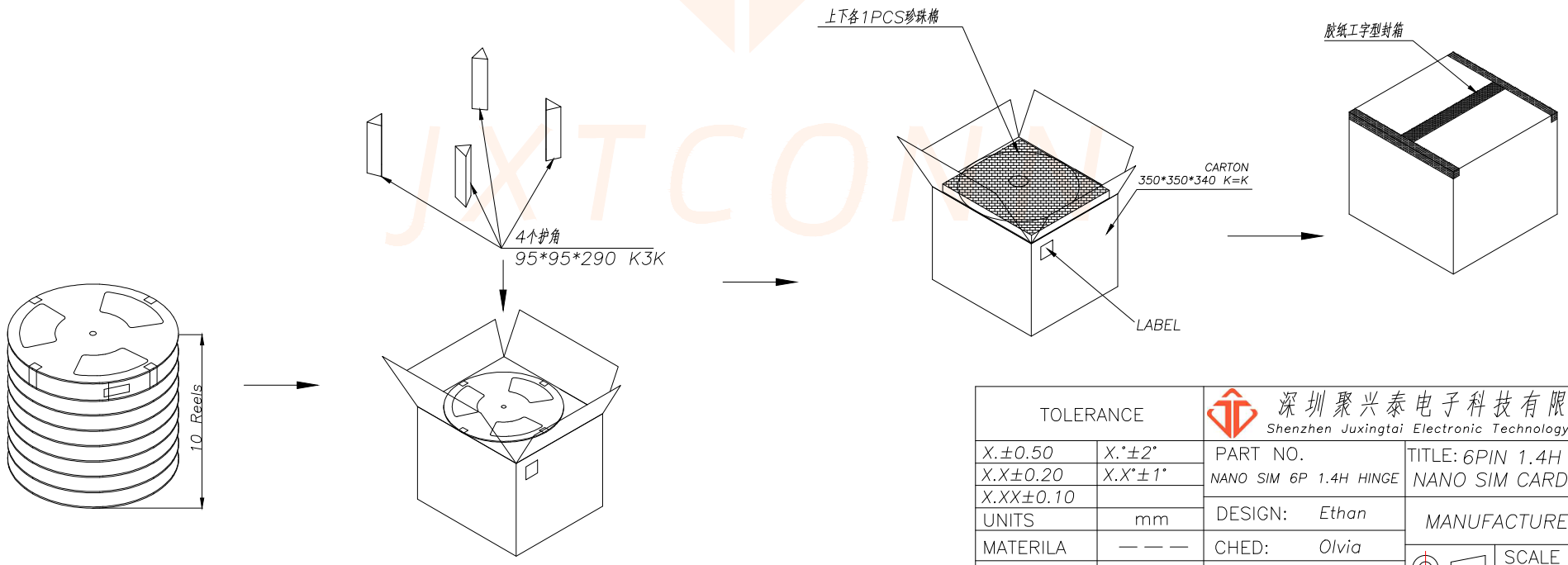
REV.	ECN NO.	DESCRIPTION	DATE	DESIGN



NOTES
 1. NUMBER OF CONNECTORS: 1500PCS/REEL
 2. LEAD TAPE LENGTH



3. QUANTITY: 15000PCS/CARTON



TOLERANCE		深圳聚兴泰电子科技有限公司 Shenzhen Juxingtai Electronic Technology Co., Ltd	
X. \pm 0.50	X.* \pm 2*	PART NO.	TITLE: 6PIN 1.4H HINGE
X.X \pm 0.20	X.X* \pm 1*	NANO SIM 6P 1.4H HINGE	NANO SIM CARD CONN.
X.XX \pm 0.10		DESIGN: Ethan	MANUFACTURE DWG
UNITS	mm	CHED: Olvia	SCALE N:A SHEET 2/2
MATERILA	---	APPD: Ava	
FINISH	---		