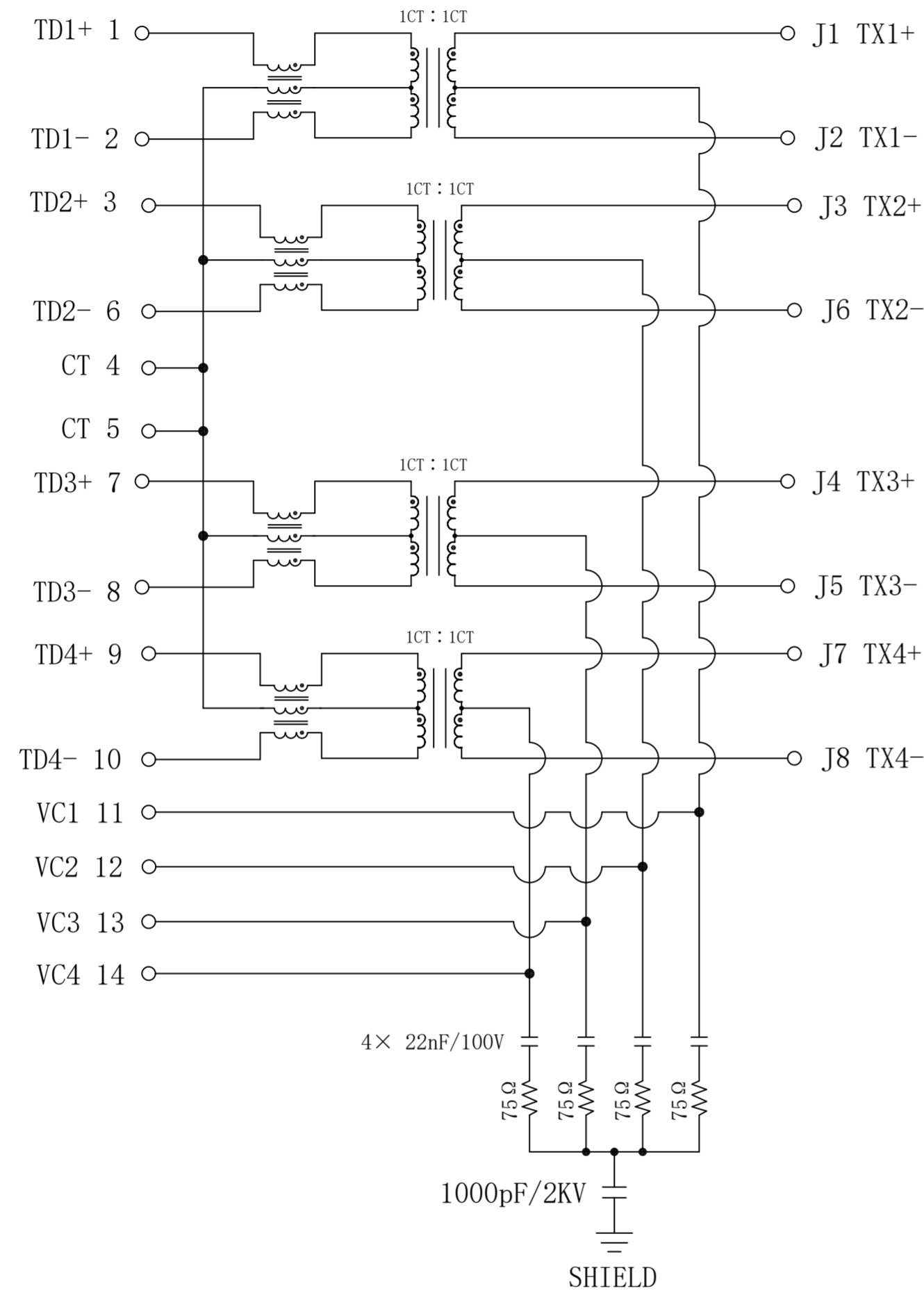


# Schematic:

REV.	ECN NO.	DESCRIPTION	DATE	APPD
C	REL		2018-02-26	

PC BOARD CONNECTIONS

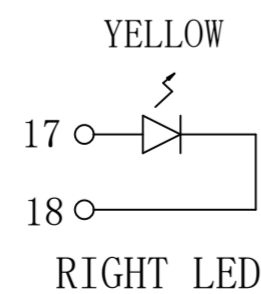
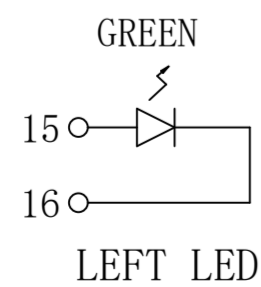


RJ45 CONNECTOR

## ELECTRICAL SPECIFICATIONS @25°C

- Turn Ratio( $\pm 5\%$ ):  
Pri : Sec = 1CT : 1CT
- Inductance OCL:  
350uH MIN @100KHz/0.1V, 8mA DC Bias  
120uH MIN @100KHz/0.1V, 18mA DC Bias
- Insertion Loss:  
-1.0dB MAX @ 1-100MHz  
-1.2dB MAX @ 100-125MHz
- Return Loss:  
-16dB MIN @ 1-40MHz  
-12dB MIN @ 40-60MHz  
-10dB MIN @ 60-80MHz  
-8dB MIN @ 80-100MHz
- Cross talk:  
-30dB MIN @ 1-100MHz
- Common to Common Mode Rejection:  
-30dB MIN @ 1-100MHz
- DC Current/Voltage Rating pse Pins:  
720mA MAX@57VDC(Continuous)
- Isolation PHY SIDE To Line SIDE : 1500Vrms
- Operating Temperature: -40°C to +85°C.

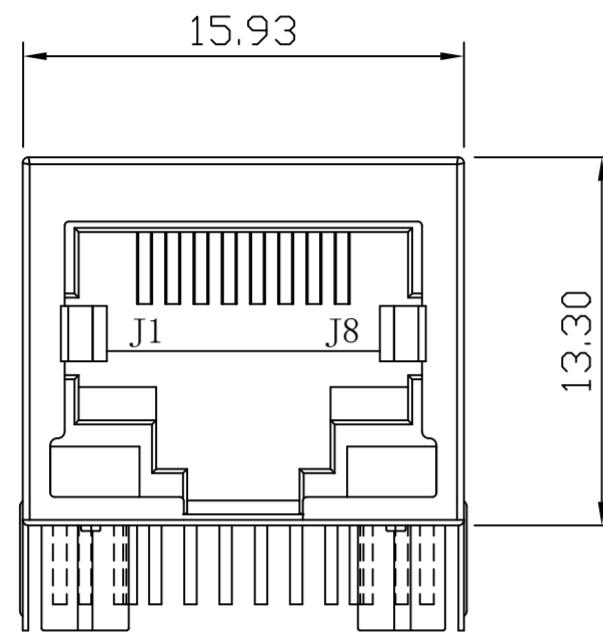
Emitting Color	$\lambda_p$ (nm)	VF@IF=20mA	IR @VR=5V
GREEN	565	1.8~2.6V	10 $\mu$ A max
YELLOW	585	1.8~2.6V	10 $\mu$ A max



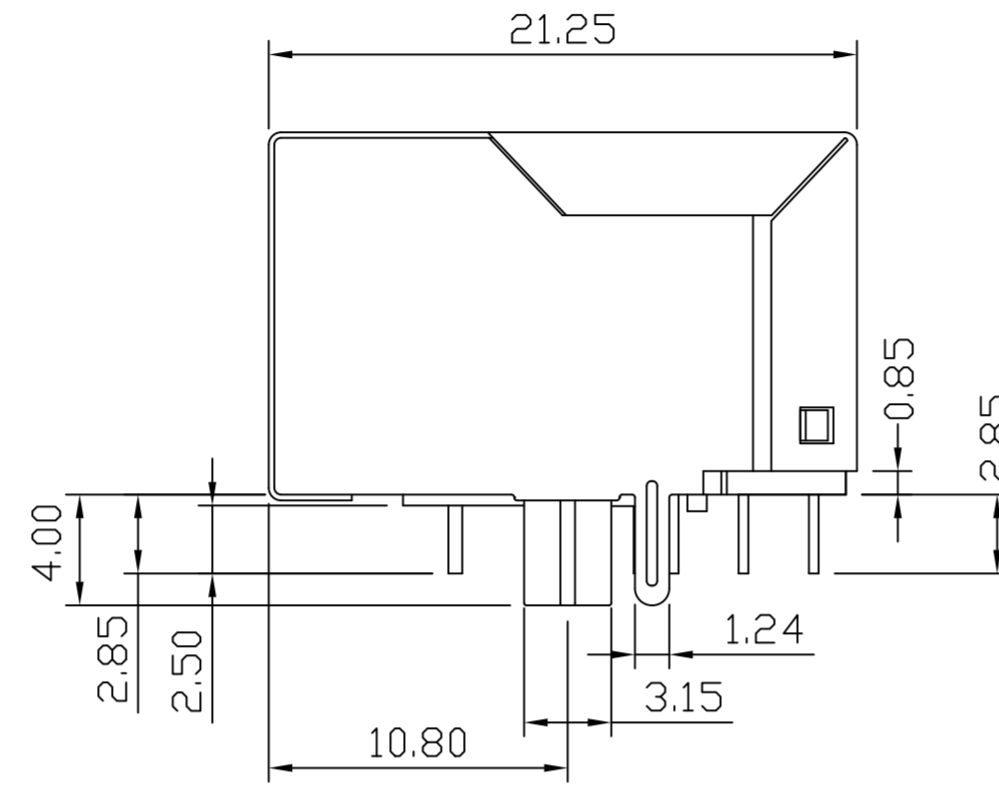
X:X	$\pm 0.30$	APPD: TOM	LINK-PP INT'L TECHNOLOGY CO., LIMITED	
X:XX	$\pm 0.25$	CHKD: JAMES	TITLE: RJ45 Connector with 1000 Base-T Integrated Magnetics For PoE+ Application	
X:XXX	$\pm 0.05$	DR: LEO		
ANGLES	$\pm 1^\circ$	UNIT: mm	PART NO. : LPJG4926HENL	
	SCALE: 2/1	SHEET: 1/2	REV: C	DWG NO. : LP18022630

# Mechanical:

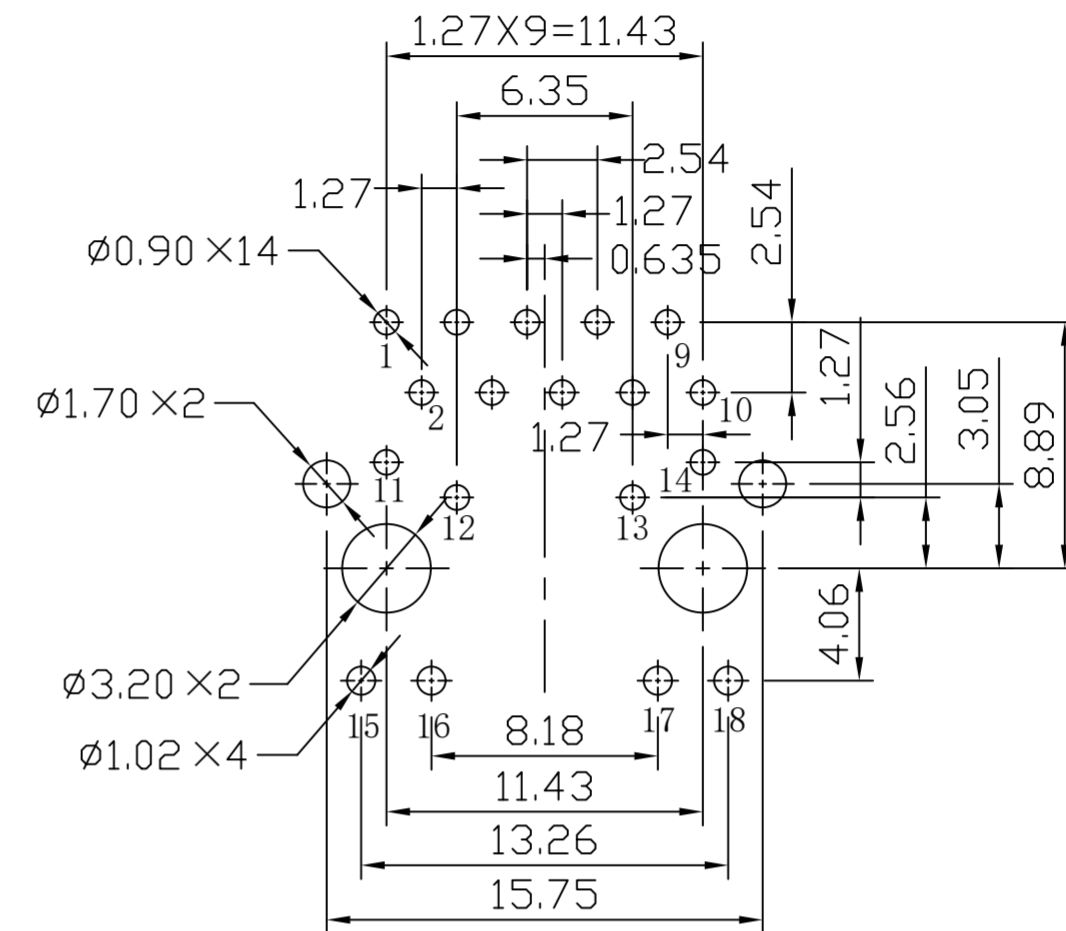
REV.	ECN NO.	DESCRIPTION	DATE	APPD
C	REL		2018-02-26	



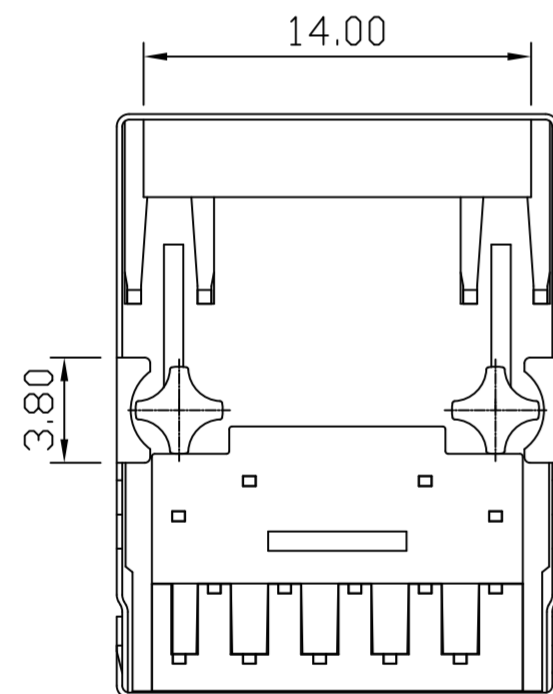
Front Side View



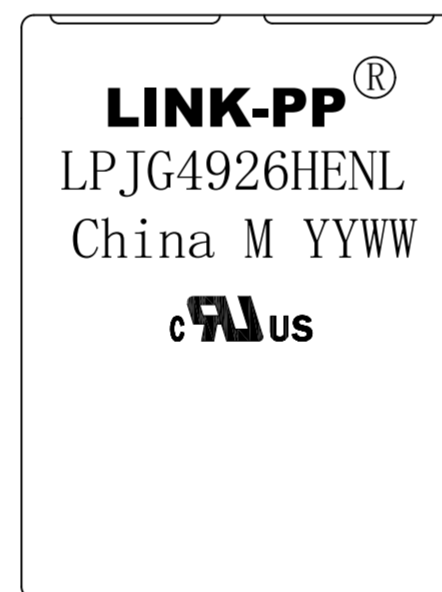
Left Side View



Suggested PCB Layout (Top View)



Bottom Side View



Top Side View

### NOTES:

1. Designed to support application, such as SOHO (ADSL modems), LAN-on-Motherboard (LOM), hub and Switches.
2. Meets IEEE802.3at specification.
3. Connector Materials:  
 Housing: Thermoplastic PBT+30%G. F UL94V-0  
 Contact: Phosphor Bronze C5210R-EH Thickness=0.35mm  
 Pins: Brass C2680R-H Thickness=0.35mm  
 Shield: SUS 304-1/2H Thickness=0.2mm  
 Contact plating: Gold 6 micro-inches min. In contact area.
4. Wave solder tip temperature: 250°C, 5 Sec.
5. UL Certification: File Number E484635.



X:X	±0.30	APPD:	TOM	LINK-PP INT'L TECHNOLOGY CO., LIMITED
X:XX	±0.25	CHKD:	JAMES	
X:XXX	±0.05	DR:	LEO	
ANGLES	±1°	UNIT:	mm	TITLE: RJ45 Connector with 1000 Base-T Integrated Magnetics For PoE+ Application
				PART NO. : LPJG4926HENL
SCALE: 2/1		SHEET: 2/2		REV: C
				DWG NO. : LP18022630