

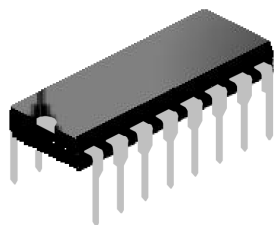
1. Description

The UMW ULN2003 is high-voltage, high-current darlington driver IC composed of 7 NPN darlington pairs. All units share the emitter in common, and each unit adopts open-collector output. A 2.7KΩ resistor is connected to each darlington pair in serial, which is compatible with TTL and 5V CMOS for data processing without logic buffer. Sink current of ULN2003 is up to 500mA, when it is off state, the withstand voltage is 50V and the output can runs with high load current, which provides solutions for various interface.

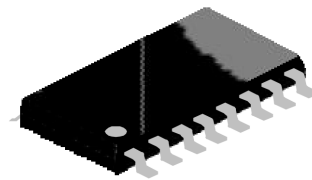
3. Applications

- Relay driver
- DC lamp driver
- Step motor driver

4. Pinning Information



DIP-16-300-2.54



SOP-16-225-1.27

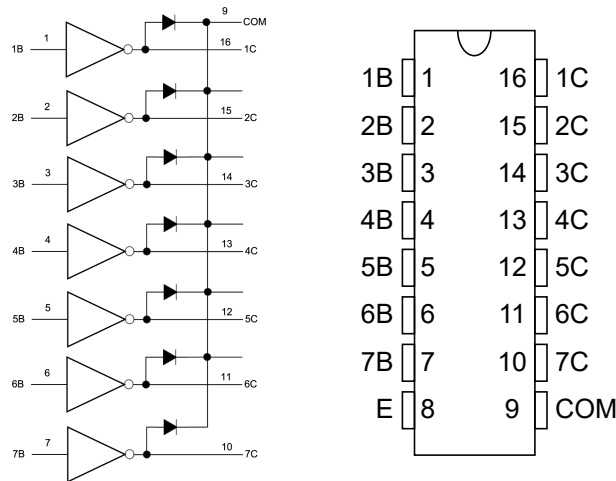
2. Features

- Wide operating voltage range
- 7-ch darlington array
- High output voltage (up to 50V)
- High output current (up to 500mA)
- Able to connect to TTL, CMOS, PMOS directly
- Clamp diodes for switching inductive loads

- Magnet valve
- DC brushless motor driver



5. Bolbk Diagram



Pin Descriptions

Pin Number	Pin Name	Function
1	1B	Input pair1
2	2B	Input pair1
3	3B	Input pair1
4	4B	Input pair1
5	5B	Input pair1
6	6B	Input pair1
7	7B	Input pair1
8	E	Common Emitter (ground)
9	COM	Common Clamp Diodes
10	7C	Output pair7
11	6C	Output pair6
12	5C	Output pair5
13	4C	Output pair4
14	3C	Output pair3
15	2C	Output pair2
16	1C	Output pair1



6. Absolute Maximum Ratings

Parameter	Symbol	Value	Units
Input Voltage	V_{IN}	-0.5 to 30	V
Output Voltage	V_{OUT}	-0.5 to 50	V
Clamp Diode Reverse Voltage	V_R	50	V
Output Current	I_{OUT}	500	mA
Output Clamp Current	I_{OK}	500	mA
Emit Total Current Of Extremal Electrons		-2.5	A
Storage Temperature	T_{STG}	-55 to 150	°C
Operating Temperature	T_{OPR}	-40 to 85	°C
Operating Junction Temperature	T_J	-40 to 150	°C



7. Electrical Characteristics ($T_A=25^\circ\text{C}$ unless otherwise noted)

Parameter	Symbol	Conditions	Min	Typ	Max	Units
Output Leakage Current	I_{CEX}	$T_A=25^\circ\text{C}$, $V_{CE}=50\text{V}$ (Figure 1)			20	μA
		$T_A=85^\circ\text{C}$, $V_{CE}=50\text{V}$ (Figure 1)			100	μA
CE Saturation Voltage	$V_{CE(sat)}$	$I_{OUT}=350\text{mA}$, $I_{IN}=500\mu\text{A}$ (Figure 3)		1.3	1.6	V
		$I_{OUT}=250\text{mA}$, $I_{IN}=350\mu\text{A}$ (Figure 3)		1.1	1.3	V
		$I_{OUT}=100\text{mA}$, $I_{IN}=250\mu\text{A}$ (Figure 3)		0.9	1.1	V
Input Current (Output ON)	$I_{I(ON)}$	$V_I=3.85\text{V}$ (Figure 4)		0.93	1.35	mA
Input Current (Output OFF)	$I_{I(OFF)}$	$I_C=500\mu\text{A}$ (Figure 5)	50	100		μA
		$T_A=25^\circ\text{C}$	50	100		μA
		$T_A=85^\circ\text{C}$	25	50		μA
Input Voltage (Output ON)	$V_{I(ON)}$	$V_{CE}=2.0\text{V}$, $I_C=200\text{mA}$ (Figure 6)			2.4	V
		$V_{CE}=2.0\text{V}$, $I_C=250\text{mA}$ (Figure 6)			2.7	V
		$V_{CE}=2.0\text{V}$, $I_C=300\text{mA}$ (Figure 6)			3	V
Input Capacitance	C_I			15	30	pF
Turn-on Delay	t_{MH}	$0.5V_I$ to $0.5V_O$			1	μS
Turn-off Delay	t_{ML}	$0.5V_I$ to $0.5V_O$			1	μS
Clamp Diode Reverse Current	I_R	$V_R=50\text{V}$ (Figure 7)				μA
		$T_A=25^\circ\text{C}$		5	10	μA
		$T_A=85^\circ\text{C}$		10	50	μA
Clamp Diode Forward Voltage	V_F	$I_F=350\text{mA}$ (Figure 8)		1.7	2	V

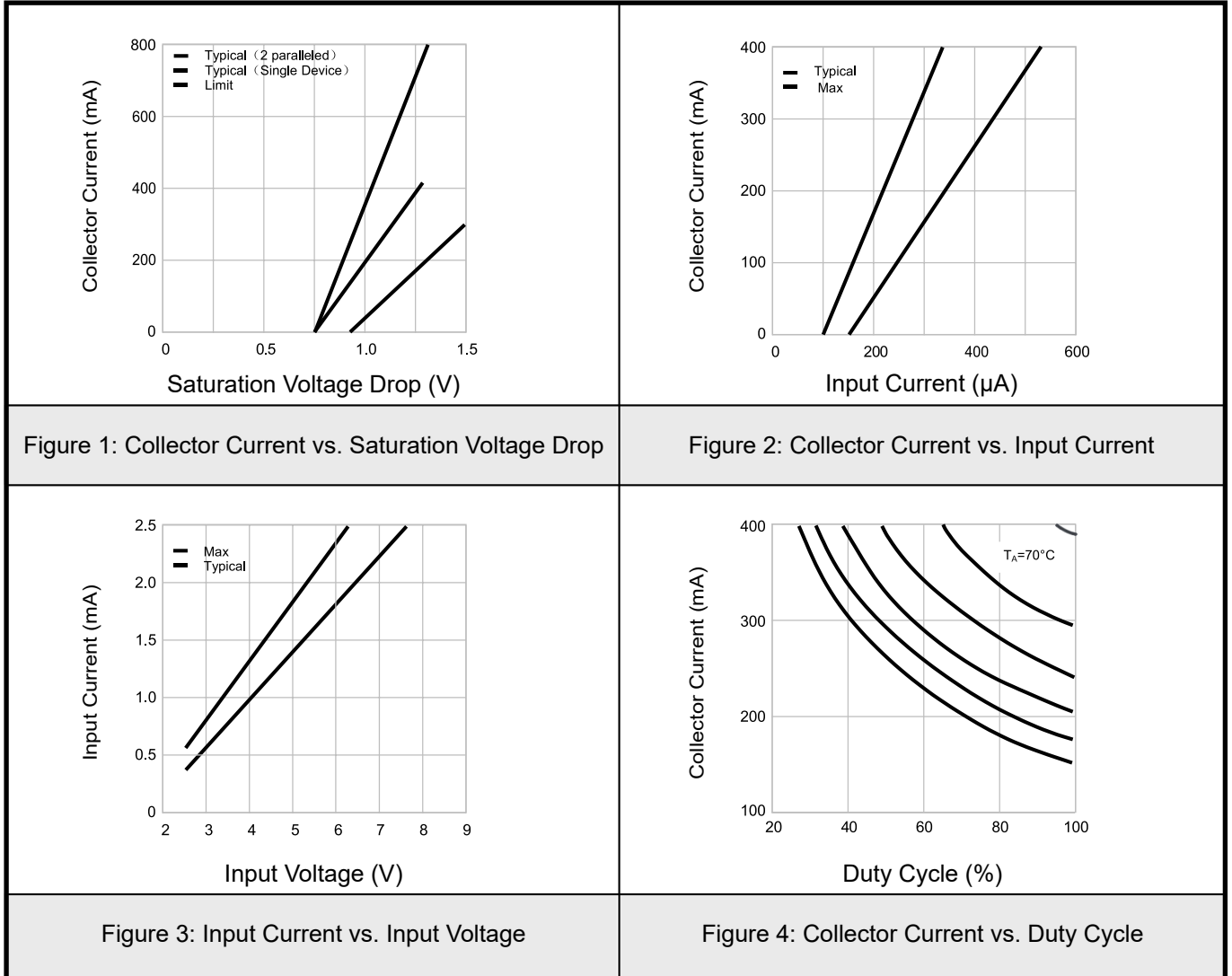
Notes: 1. Absolute maximum ratings are those values beyond which the device could be permanently damaged. Absolute maximum ratings are stress ratings only and functional device operation is not implied. Electrical Characteristics are for normal operating range;

2. All the conditions are suitable for darlington pairs unless otherwise noted;

3. In general, with 70°C , $V_{CE(sat)}=1.6\text{V}$, pulse width=20ms, the continuous operating current of each channel is 350mA.

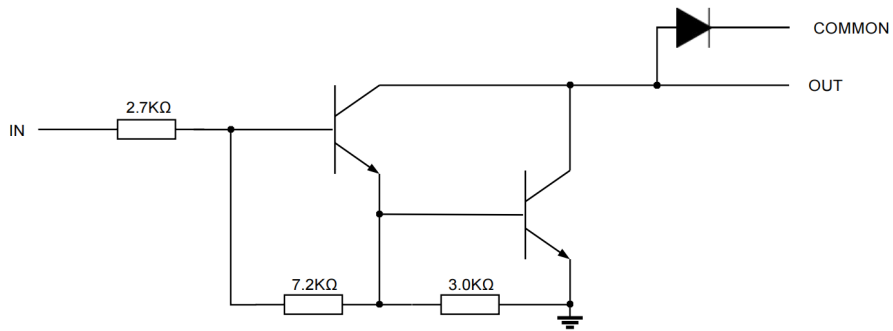


8. Typical Characteristics



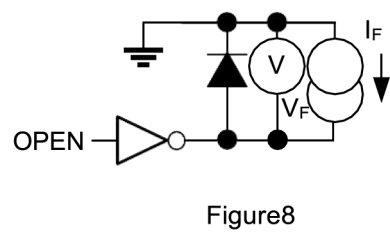
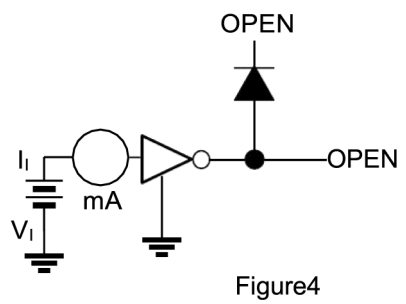
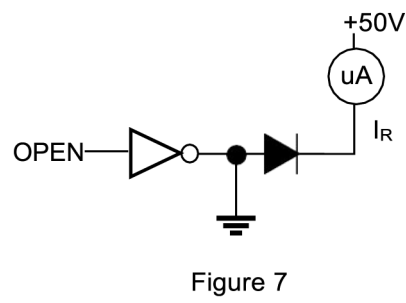
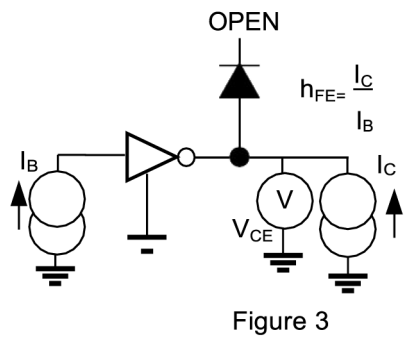
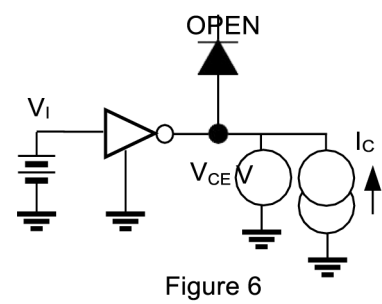
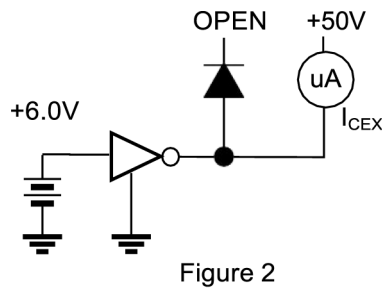
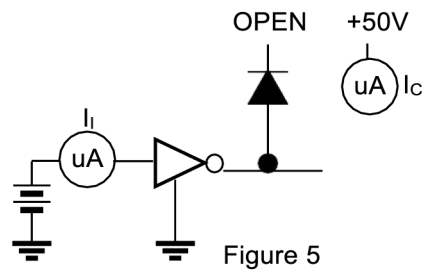
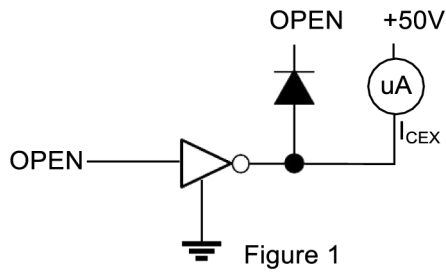


9. Internal Equivalent Circuit



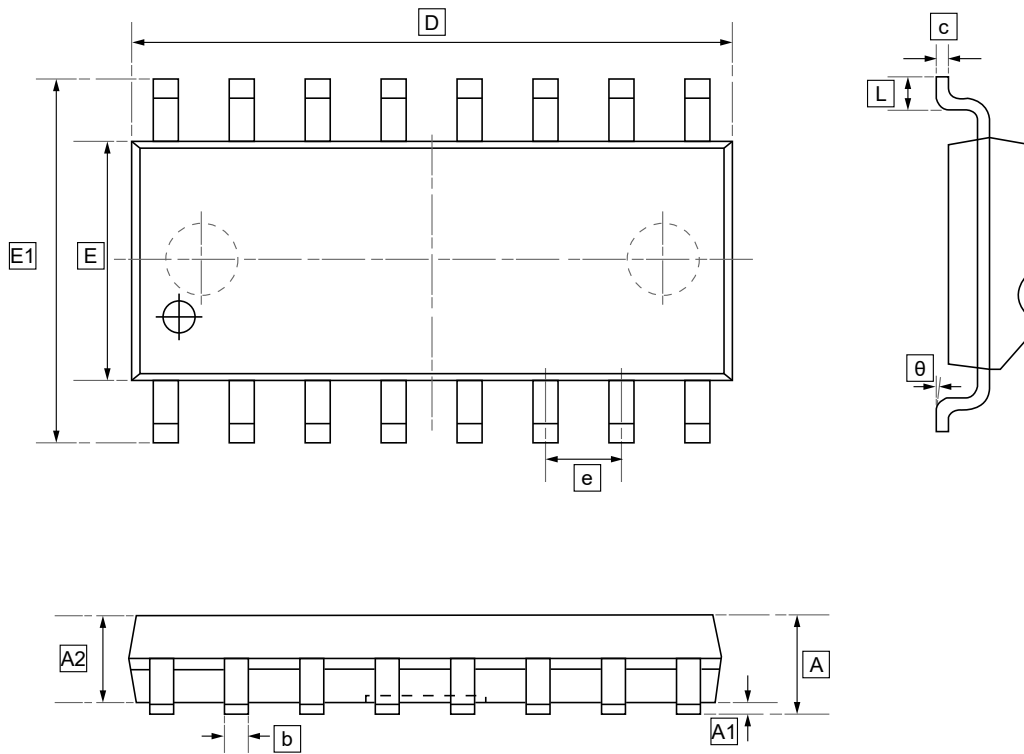


10. Test Circuits





11.1 SOP-16 Package Outline Dimensions

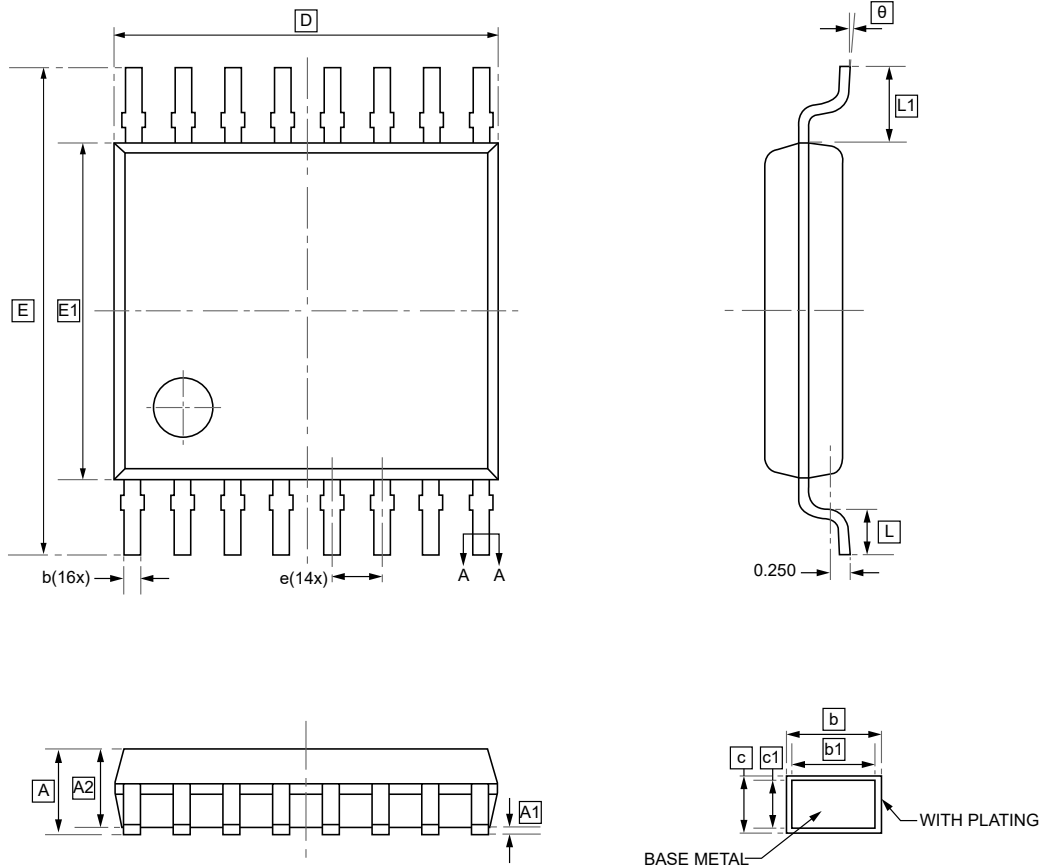


DIMENSIONS (mm are the original dimensions)

Symbol	A	A1	A2	b	c	D	E	E1	e	L	θ
Min	1.350	0	1.350	0.330	0.170	9.800	3.800	5.800	1.270	0.400	0°
Max	1.750	0.100	1.550	0.510	0.250	10.200	4.000	6.200	BSC	1.270	8°



11.2 TSSOP-16 Package Outline Dimensions



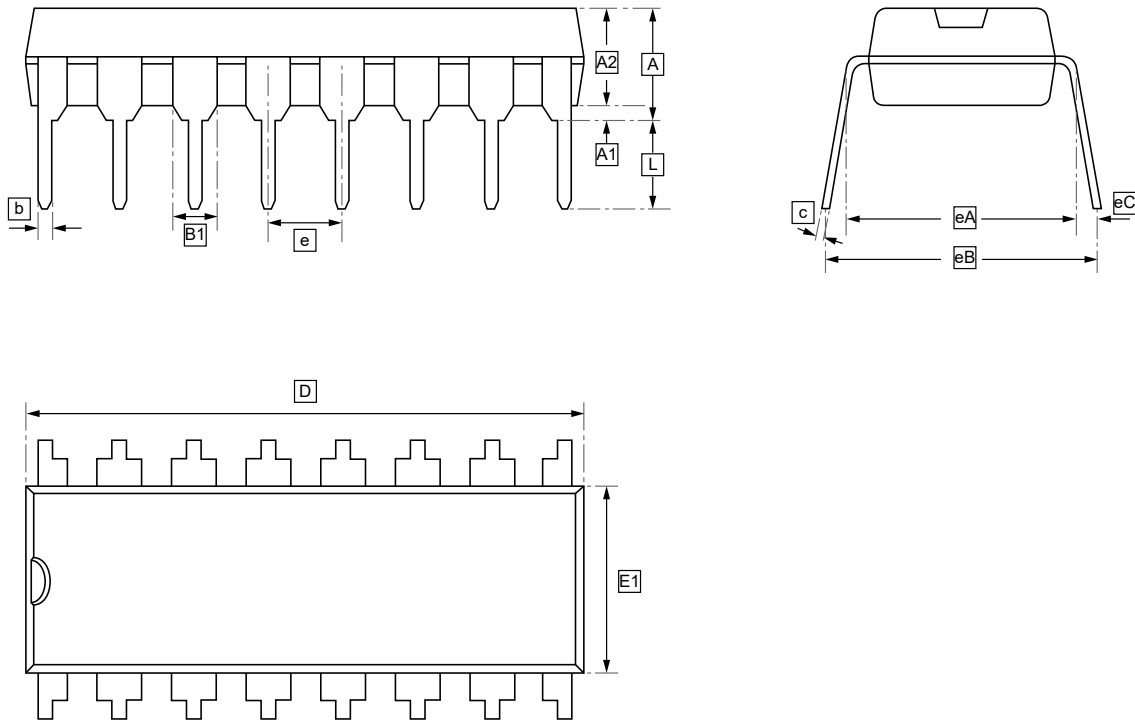
DIMENSIONS (mm are the original dimensions)

Symbol	A	A1	A2	b	b1	c	c1	D	E	E1	e	L1
Min	-	0.05	0.90	0.20	0.19	0.13	0.120	4.90	6.20	4.30	0.65	0.85
Max	1.20	0.15	1.05	0.28	0.25	0.17	0.14	5.10	6.60	4.50	BSC	1.15

Symbol	L	θ
Min	0.45	0°
Max	0.75	8°



11.3 DIP-16 Package Outline Dimensions



DIMENSIONS (mm are the original dimensions)

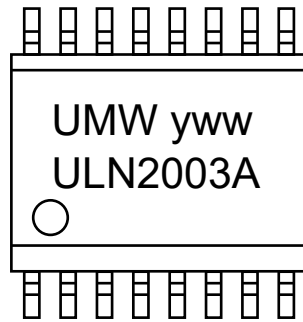
Symbol	A	A1	A2	b	B1	c	D	E1	e	eA	eB	eC
Min	-	0.50	3.20	0.38	1.52	0.20	18.90	6.15	2.54	7.62	7.62	0
Max	4.45	-	3.70	0.54	BSC	0.35	19.45	6.60	BSC	BSC	9.30	1.52

Symbol	L
Min	3.00
Max	-



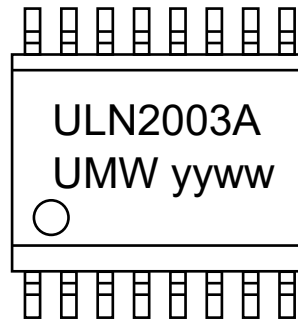
12. Ordering Information

SOP-16



yww: Batch Code

TSSOP-16



yy: Year Code
ww: Week Code

Order Code	Marking	Package	Base QTY	Delivery Mode
UMW ULN2003A	ULN2003A	SOP-16	2500	Tape and reel
UMW ULN2003AIPWR	ULN2003A	TSSOP-16	4000	Tape and reel
UMW ULN2003APWR	ULN2003A	TSSOP-16	4000	Tape and reel



13.Disclaimer

UMW reserves the right to make changes to all products, specifications. Customers should obtain the latest version of product documentation and verify the completeness and currency of the information before placing an order.

When applying our products, please do not exceed the maximum rated values, as this may affect the reliability of the entire system. Under certain conditions, any semiconductor product may experience faults or failures. Buyers are responsible for adhering to safety standards and implementing safety measures during system design, prototyping, and manufacturing when using our products to prevent potential failure risks that could lead to personal injury or property damage.

Unless explicitly stated in writing, UMW products are not intended for use in medical, life-saving, or life-sustaining applications, nor for any other applications where product failure could result in personal injury or death. If customers use or sell the product for such applications without explicit authorization, they assume all associated risks.

When reselling, applying, or exporting, please comply with export control laws and regulations of China, the United States, the United Kingdom, the European Union, and other relevant countries, regions, and international organizations.

This document and any actions by UMW do not grant any intellectual property rights, whether express or implied, by estoppel or otherwise. The product names and marks mentioned herein may be trademarks of their respective owners.