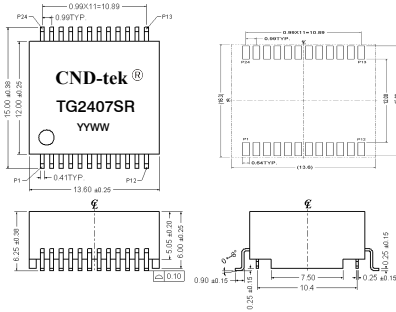


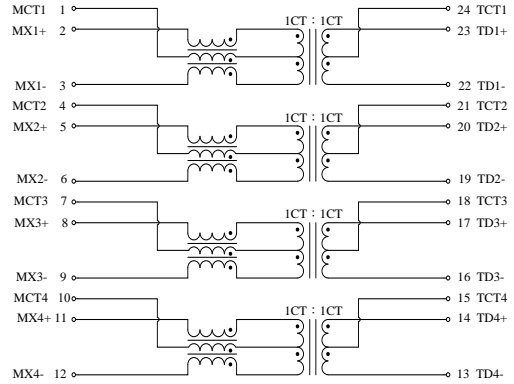
1. Designed for long haul 10G Single Port Transformer Module
2. Supports four pairs of category 5 UTP cable, Cable interface for isolation and low common mode emission .
- 3 . Low profile Surface Mount Packaging designed for Hi-Temp Reflow Process
4. Compliant with IEEE 802.3an standard for 10G Base-Z, Designed to support 1:1 Turns Ratio Transceivers.



## DIMENSIONS & SCHEMATICS



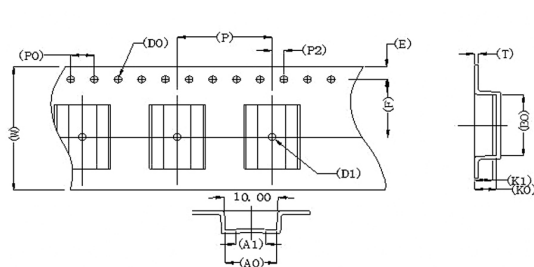
- Notes:**
1. Dimension: mm
  2. Unless otherwise specified, all tolerances are:  $\pm 0.15\text{mm}$



## TECHNICAL SPECIFICATIONS

OCL :	160 $\mu\text{H}$ Min. @ 100 KHz, 100mV with 8mA DC Bias
Leakage Inductance:	0.50 $\mu\text{H}$ Max. @ 100KHz, 0.1V
DCR:	1.20 $\Omega$ Max
Turns Ratio( $\pm 5\%$ ):	1CT:1CT(TX), 1CT:1CT(RX)
Insertion Loss:	-0.55dB Max. @ 1MHz -0.55dB Max. @ 5MHz -0.77dB Max. @ 200MHz -1.41 dB Max. @400MHz
Return Loss:	-20dBMin.@1MHz -20dBMin.@100MHz -18dBMin.@200MHz -15dBMin.@300MHz -10dBMin.@400MHz -8dBMin.@500MHz
Cross Talk:	-34dB Min.@1MHz -23 dB Min.@ 350 MHz -23 dB Min.@ 500 MHz
Common Mode Rejection :	- 28dB Min.@1-100 MHz -22dB Min.@100-300 MHz - 20dB Min.@300-500 MHz
Isolation HI-POT:	1800VAC 1mA 1S
Storage temperature range:	-40 C $\sim$ +85 C
Operating Temperature range:	-40 C $\sim$ +125 C

## PACKING SPECIFICATION



1. units/reel:500PCS
- 2 reel/carton:5PCS
- 3.units/carton :2500PCS

