

1

2

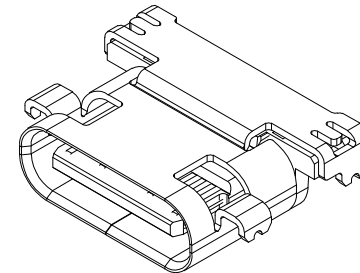
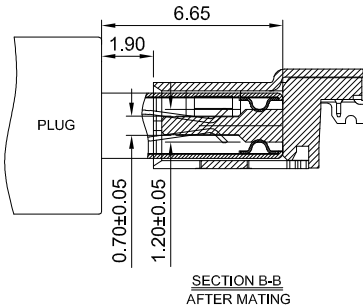
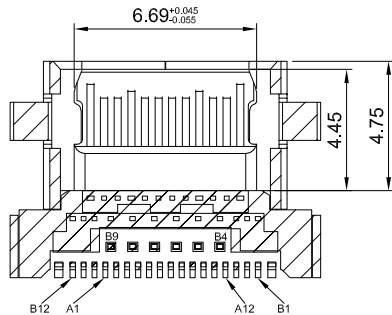
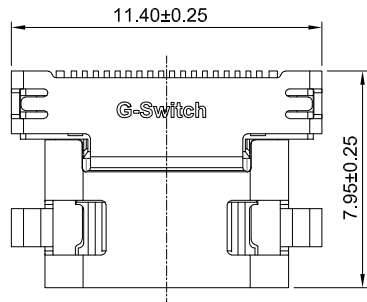
3

4

5

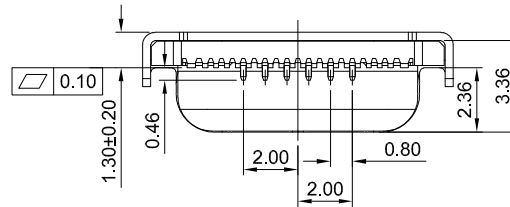
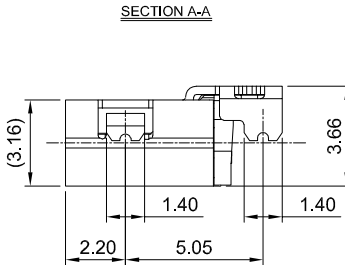
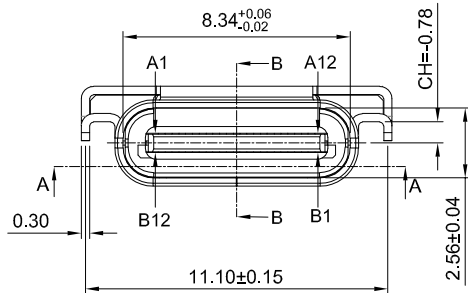
A

A



B

B

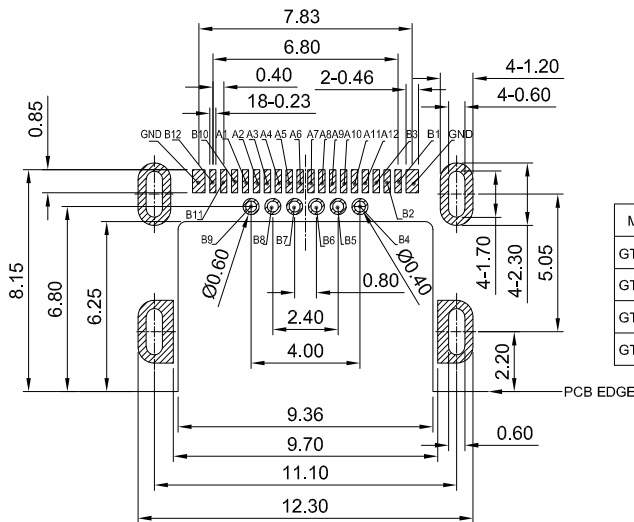
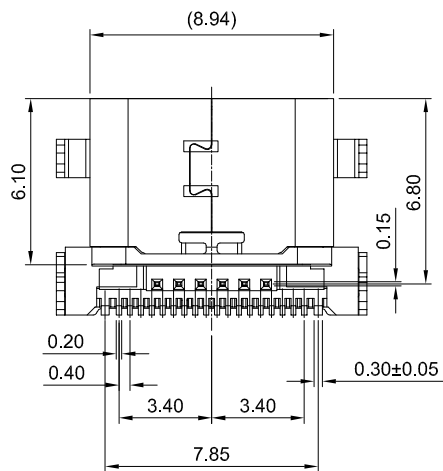


G-Switch USB-C Specification:

1. Current rated: 5A on vbus/1.25A on vconn/0.25A on other
2. Voltage rating: 24V AC
3. Withstanding voltage: 100V AC/minute
4. Contact resistance: 40mΩ Max
5. Insulation resistance: 100MΩ Min
6. Operating temperature: -40°C ~ +85°C
7. Mating force: 5N~20N
8. Unmating force: 8N~20N, after durability test: 6N~20N
9. Durability cycle: 10,000 cycles
9. Data transmission rate up to 10Gbps

C

C



MOLDE CODE	PLATED ON CONTACT AREA
GT-USB-7112A-01	Au1u"
GT-USB-7112A-03	Au3u"
GT-USB-7112A-15	Au15u'
GT-USB-7112A-30	Au30u'

A1	A2	A3	A4	A5	A6	A7	A8	A9	A10	A11	A12
GND	TX1+	TX1-	VBUS	CC1	D+	D-	SBU1	VBUS	RX2-	RX2+	GND
First	Second	Second	First	Second	Second	Second	Second	First	Second	Second	First
B12	B11	B10	B9	B8	B7	B6	B5	B4	B3	B2	B1
GND	RX1+	RX1-	VBUS	SBU2	D-	D+	CC2	VBUS	TX2-	TX2+	GND
First	Second	Second	First	Second	Second	Second	Second	First	Second	Second	First

D

D

NO.	PARTS	MATERIAL	REMARKS
1	SHELL	STAINLESS STEEL 304	Ni PLATED
2	MID PLATE	STAINLESS STEEL 301	-
3	HOUSING	LCP	BLACK UL 94V-0
4	TERMINALS	COPPER ALLOY C7025	Au1u" PLATED ON CONTACT AREA G/F PLATED ON SOLDER AREA

Pb

RoHS
Compliant
EU RoHS Standards

H

Compliant
Halogen Free

SCALE: 1:1 UNIT: mm

SIZE: A4

Unless otherwise General Tolerance:
 X. ±0.38
 X.x ±0.25
 X.xx ±0.15
 X* ±5°
 X.X* ±2°

Title: Horizontal Type-C 24P Female SMT+DIP
Mid-Mount 2.36 CH=0.78 L=7.95mm

Molde Code: GT-USB-7112A-XX

DRAWN	CHECKED	APPROVED	DATE
Wu	Xla	Chen	2025.01.13

品赞科技®

b-Switch

www.dg-switch.com

REV: A0	SHEET: 1/1
---------	------------

1

2

3

4

5

E

E