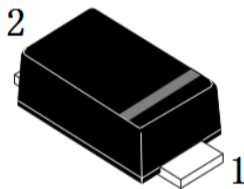


FEATURES

- Low power losses, high efficiency.
- Guardring for over voltage protection.
- For use in low voltage high frequency inverters, free wheeling, and polarity protection applications
- We declare that the material of product compliance with RoHS requirements and Halogen Free.



SOD123FL



MAXIMUM RATINGS(Ta = 25°C)

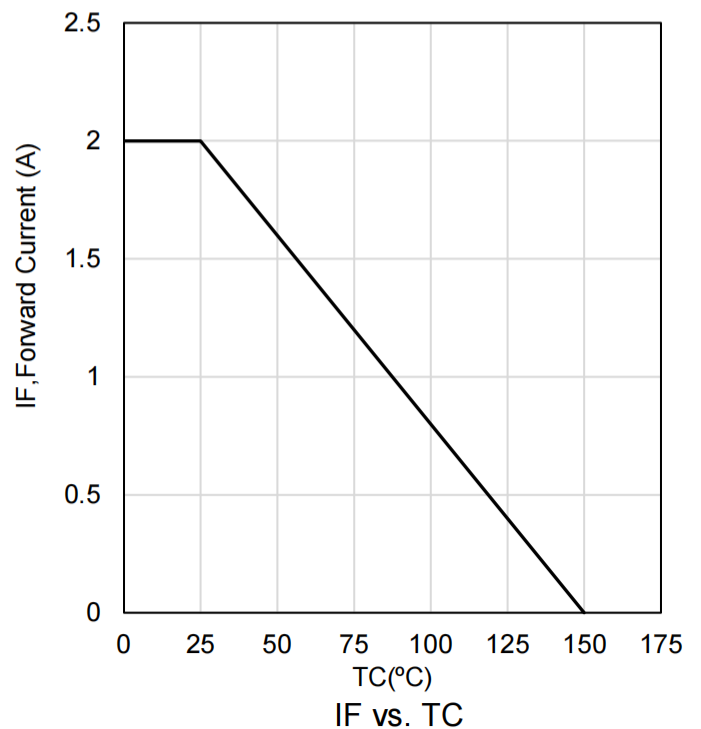
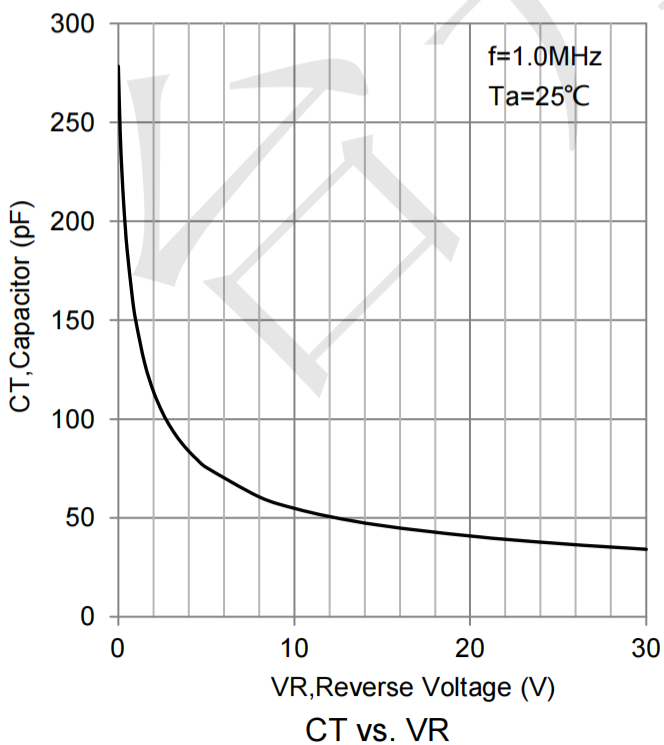
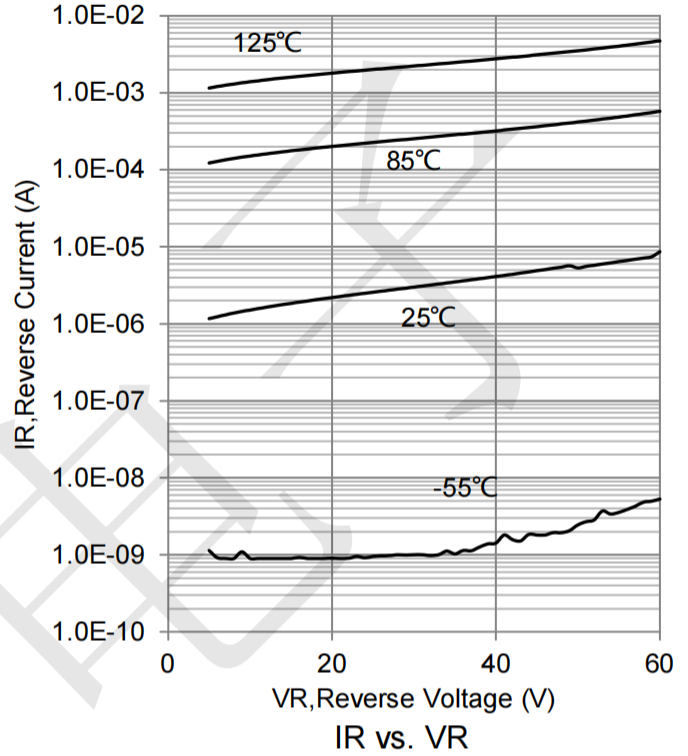
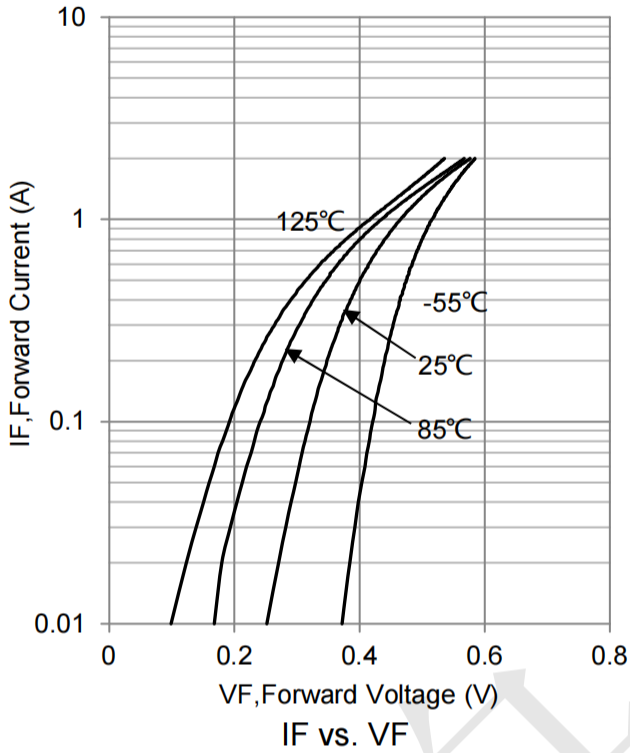
Parameter	Symbol	Limits	Unit
Maximum repetitive peak reverse voltage	VRRM	60	V
Maximum RMS voltage	VRMS	42	V
Maximum DC blocking voltage	VDC	60	V
Maximum average forward rectified current at TA = 75°C	IF(AV)	2	A
Peak forward surge current 8.3ms single half sine-wave superimposed on rated load (JEDEC Method)	IFSM	50	A
Power Dissipation	PD	400	mW
Typical thermal resistance (Note 1)	RθJA RθJL	170 40	°C/W
Operating junction temperature range	TJ	-55 ~ +150	°C
storage temperature range	TSTG	-55 ~ +150	°C

Note: 1. 8.0mm² (.013mm thick) land areas

ELECTRICAL CHARACTERISTICS (Ta= 25°C)

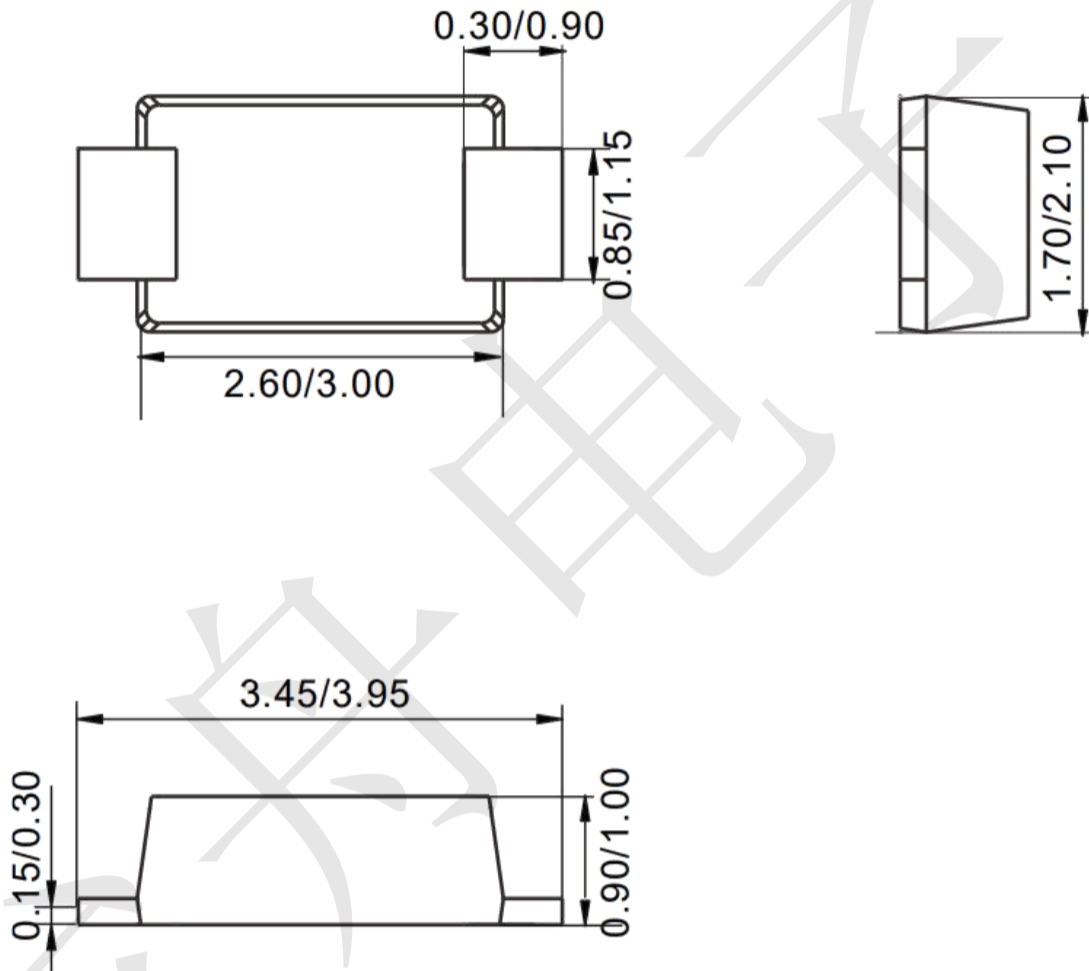
Characteristic	Symbol	Min.	Max.	Unit
Reverse Voltage	VR	60	-	V
Forward Voltage (IF =2A)	VF	-	0.65	V
Reverse Current (VR =60V)	IR	-	100	μA

ELECTRICAL CHARACTERISTICS CURVES



Package Outline Dimensions (unit: mm)

SOD-123FL



Mounting Pad Layout (unit: mm)

