

Features:

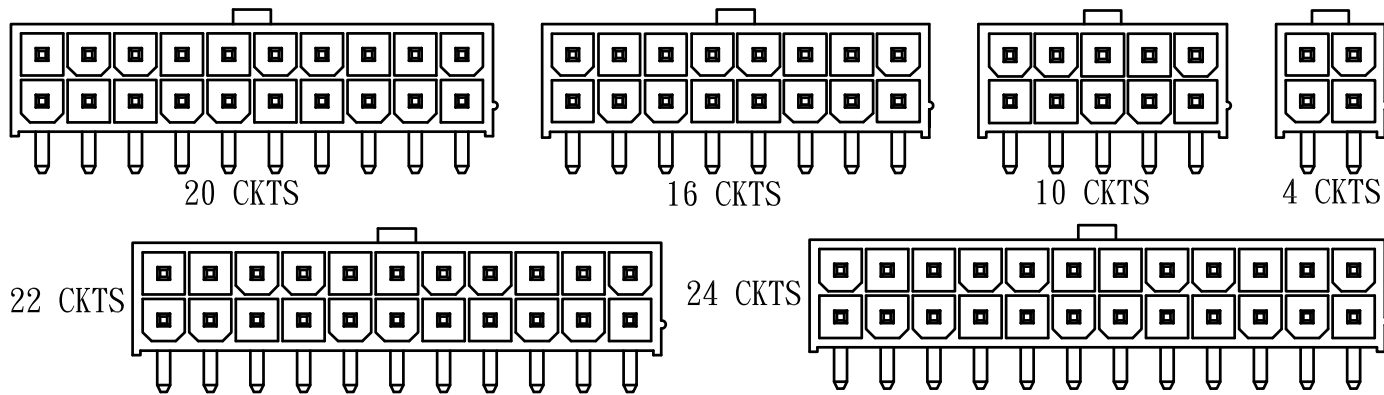
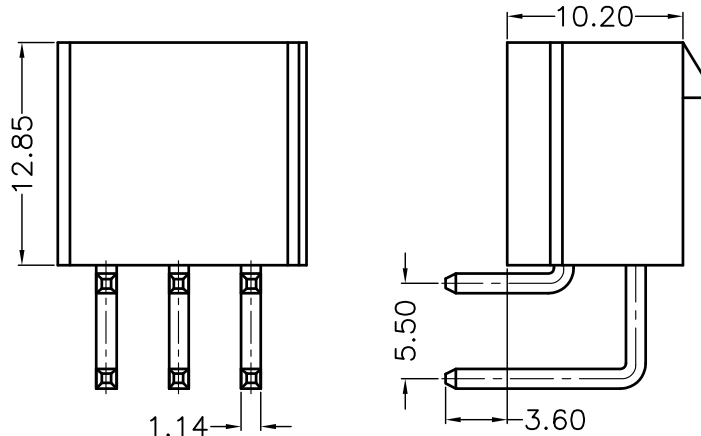
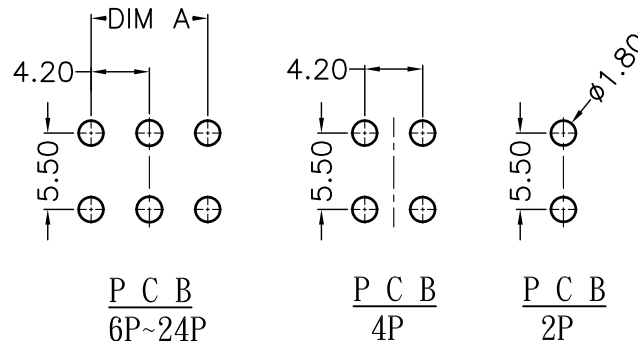
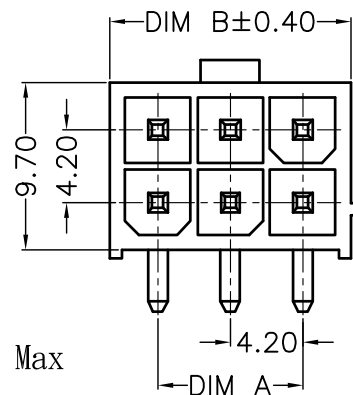
- 1. 2~24 circuits available;
- 2. Contact: Brass;
- 3. Material: PA66 UL94V-0 or UL94V-2;
- 4. Finished: Tin-plated;
- 5. Mates with H420012 Housing;
- 6. Color: Black/Natural(Clear)/Ivory;

Specification:

Current Rating: 7A AC/DC
 Voltage rating: 600V AC(RMS) or 600V DC Max
 Contact resistance: 15mΩ Max
 Insulation resistance: 1000MΩ Min
 Dielectric withstanding voltage: 1500V AC/minute
 Ambient temperature rang: -25°C~85°C

Dimensional Information(mm)

Circuits	DIM A	DIM B	Circuits	DIM A	DIM B
02		5.60	16	29.40	35.00
04	4.20	9.80	18	36.60	39.20
06	8.40	14.00	20	37.80	43.40
08	12.60	18.20	22	42.00	47.60
10	16.80	22.40	24	46.20	51.80
12	21.00	26.60	28	63.00	60.20
14	25.20	30.80			



H420014-XX-XX

SERIES NO: _____

PIN Q' PY: _____
 02~28

Color:
 CB: Black
 CN: Natural(Clear)
 CI: Ivory

REV	Description	DATE	GENERAL TOLERANCES (unless specified)	UNITS	MM	DATE	2014-03-05
			X.X±0.4	SCALE	1:1	DRAWING	Liu zhi guo
			X.XX±0.25	REV	A	CHECKED BY	Li peng
			X.XXX±0.15	APPROVAL BY		OYSW	



连兴旺电子(深圳)有限公司

LXWCONN ELECTRONICS (SHENZHEN) CO., LTD

PRODUCT NAME: 4.2 mm right angle header
 PART NUMBER: H420014-XX-XX