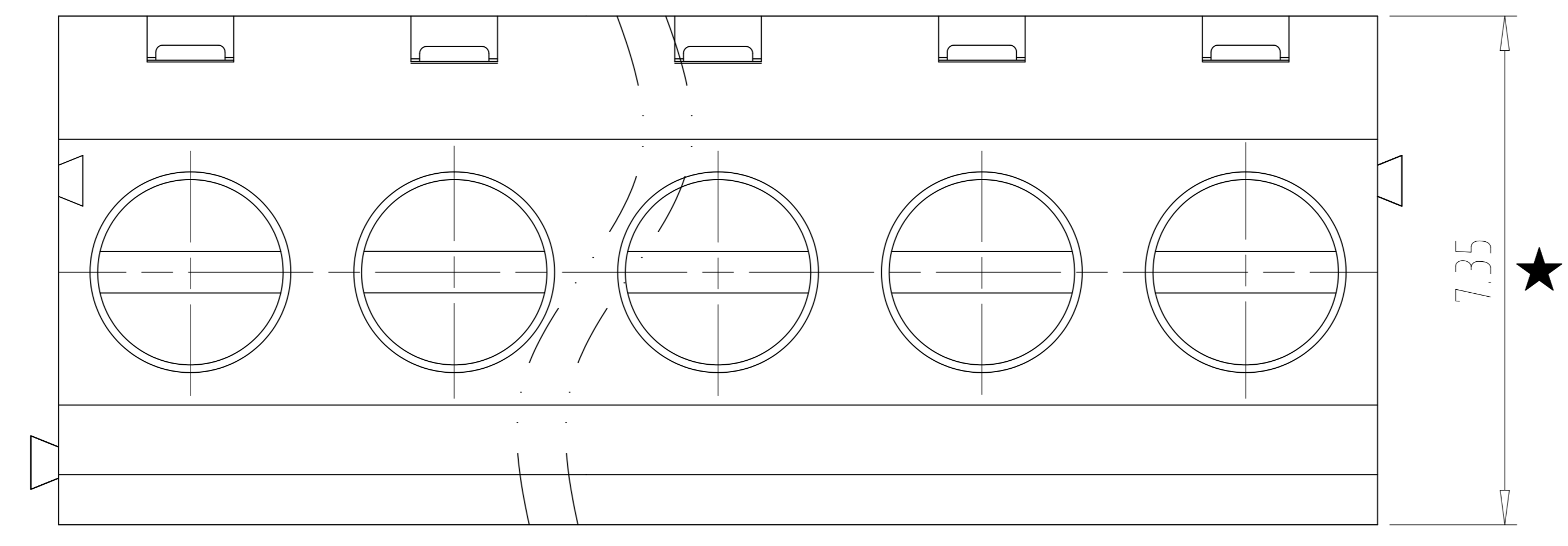
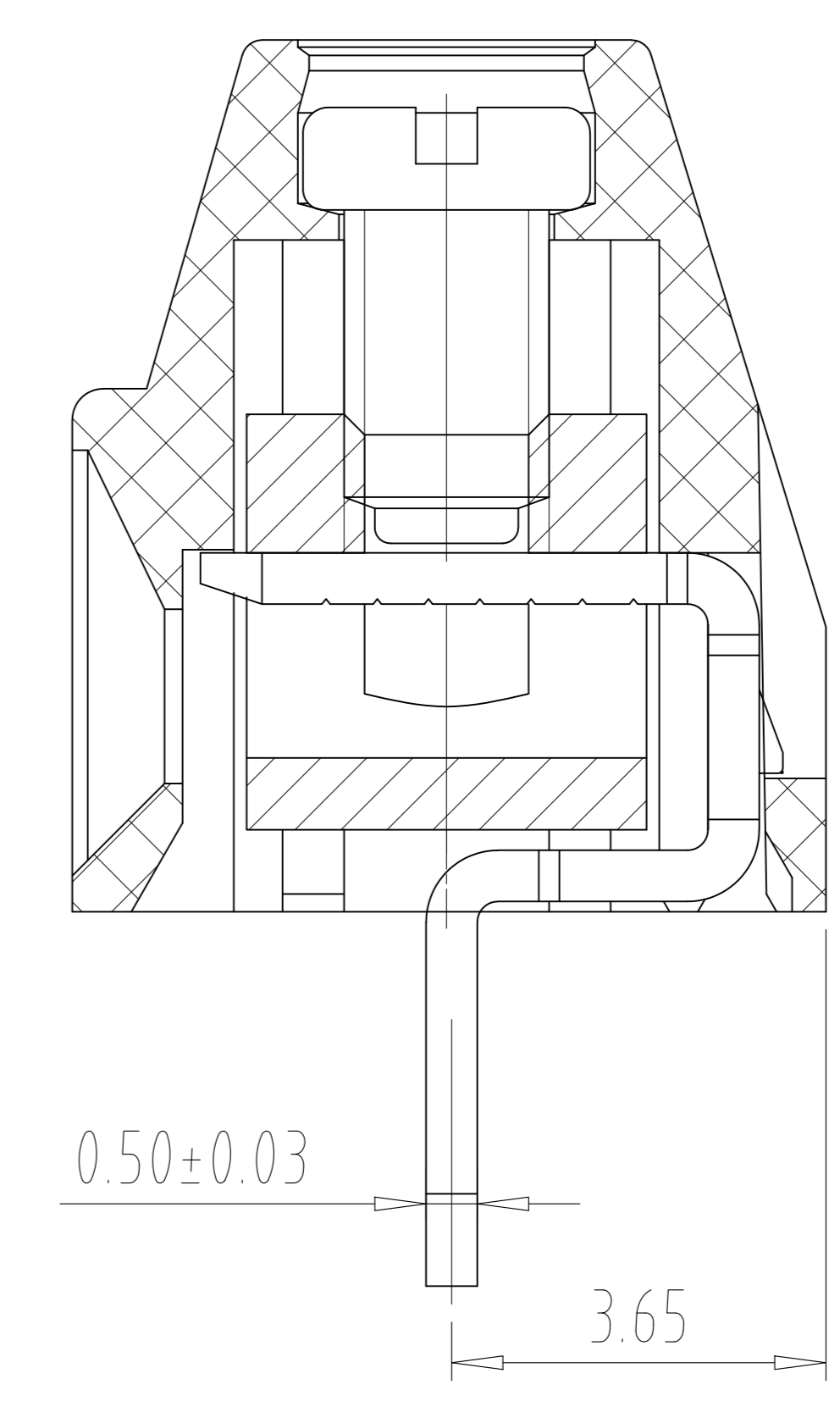
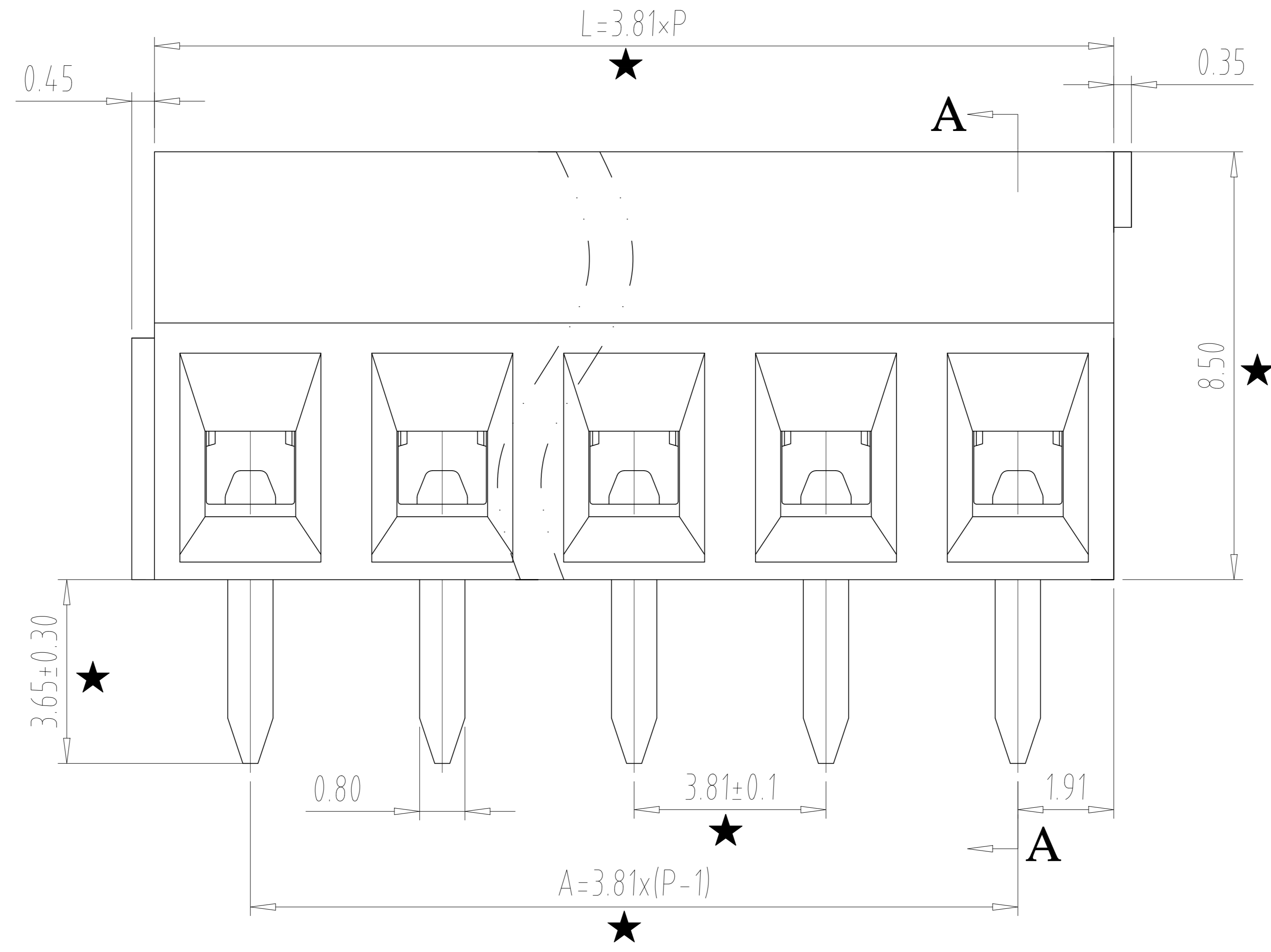


PCB LAYOUT

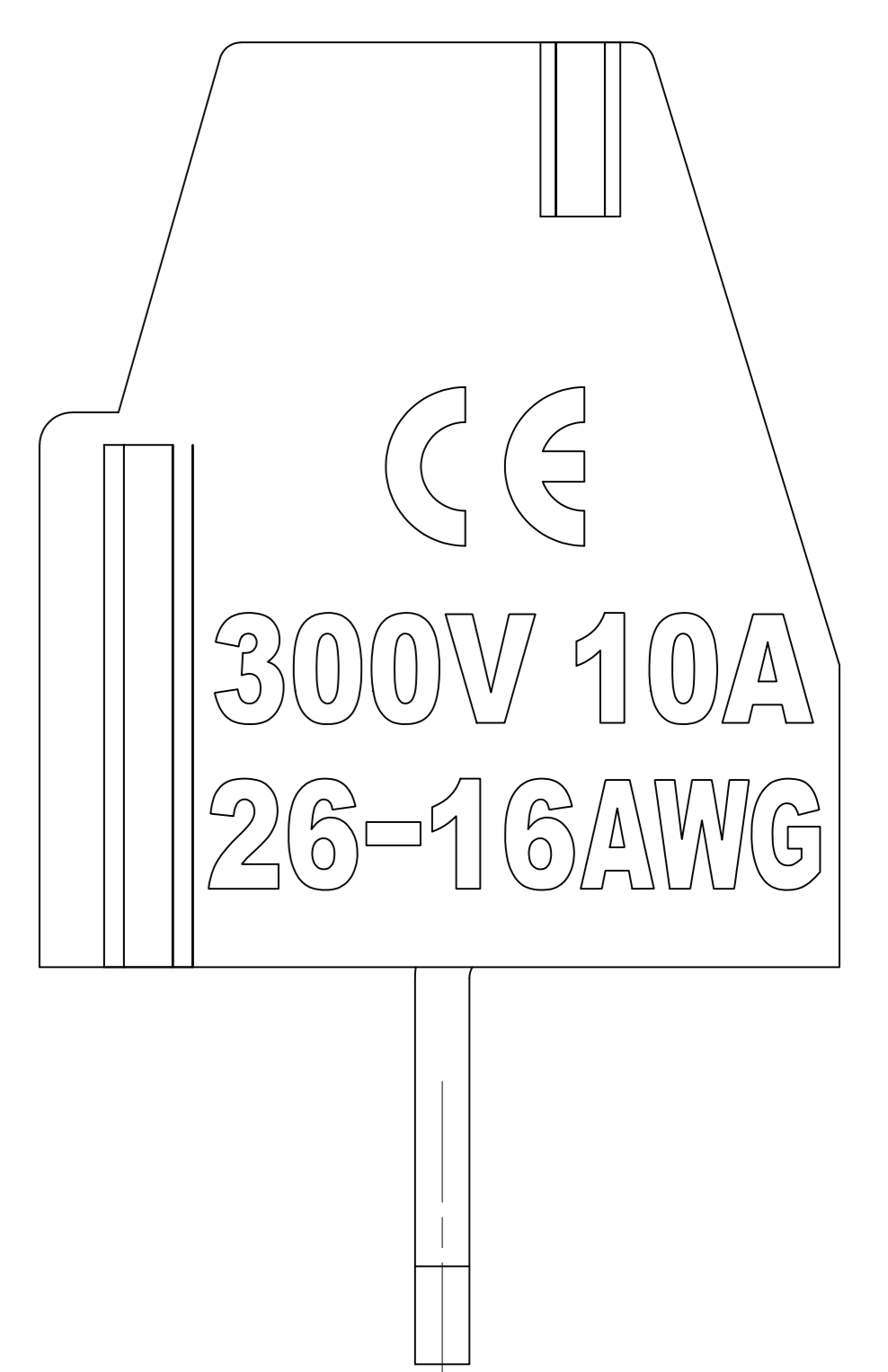


NOTES:

1. Rating:150V 10A;
2. Insulation Withstands Voltage: AC2000V/MIN
3. Insulation Resistance: 500M $\Omega$  or more at DC500V
4. Using Temperature Range: -40° C—+105° C
5. Screw Torque Value:0.2N.m
6. Suitable Electric Wire: 26-16AWG
7. "★" is the important dimension.



SECTION:A-A



Total Pitch Tolerances in mm										Nominal dimension range in mm																		
over 0 to 30	over 30 to 53	over 53 to 70	over 70 to 90	over 90 to 115	over 115 to 150	over 150 to 250	over 250 to 350	over 350 to 500	over 500 to 1000	0 to 30	30 to 53	53 to 70	70 to 90	90 to 115	115 to 150	150 to 200	200 to 250	250 to 320	0 to 10	over 10	0 to 100	100 to 150	over 150					
±0.18	? 0.25	±0.30	±0.35	±0.40	? 0.45	±0.60	±0.70	? 0.85	±0.20	±0.25	±0.30	±0.35	±0.44	±0.55	±0.70	±0.80	±0.90	0.2	0.3	0.3	0.2	0.3	0.5					

ITEM	NAME OF PART		NO. OF PART	Q"TY	MATERIAL			NOTE
DWG.	SK	DATE		SIZE	A4	UNITS	mm	SHEET/OF 1 / 1
CHK.		DATE		SCALE	4:1		128V-3.81	
APP.		DATE		NAME		LXW128V-3.81-NP		
<b>连兴旺电子(深圳)有限公司</b> LXWCONN ELECTRONICS (SHENZHEN) CO., LTD				DWGNO.	LXW128V-3.81-NP			