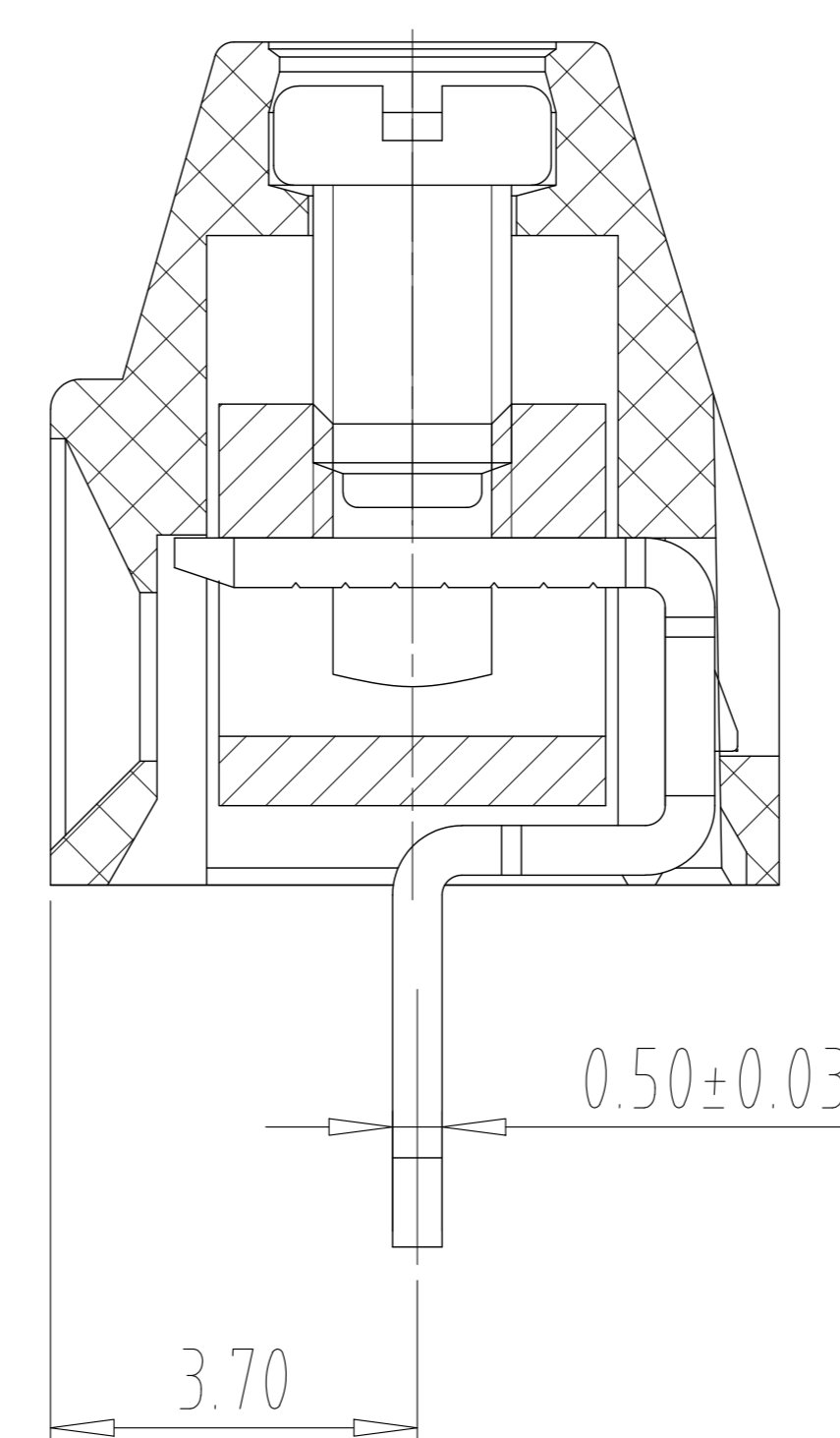
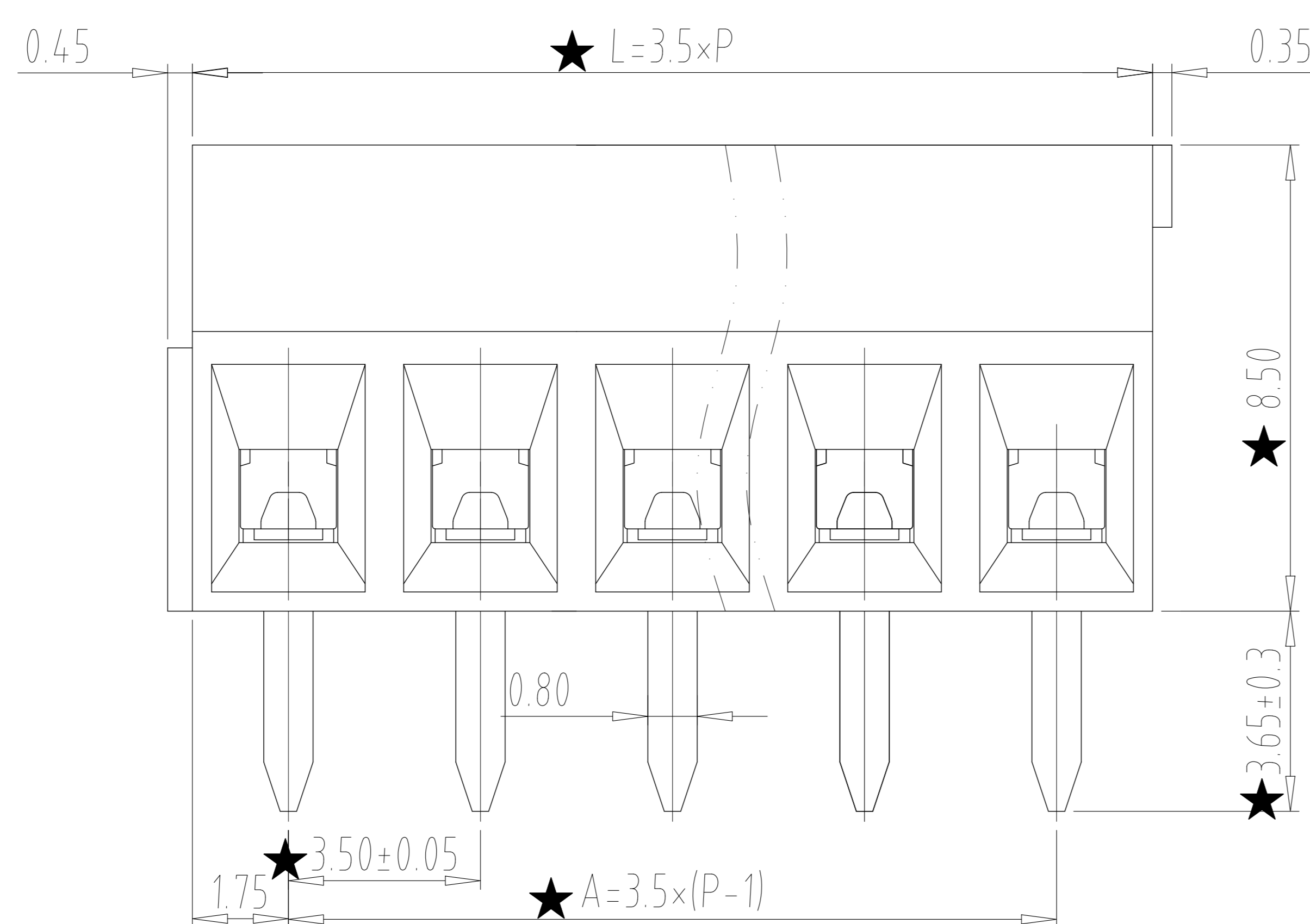
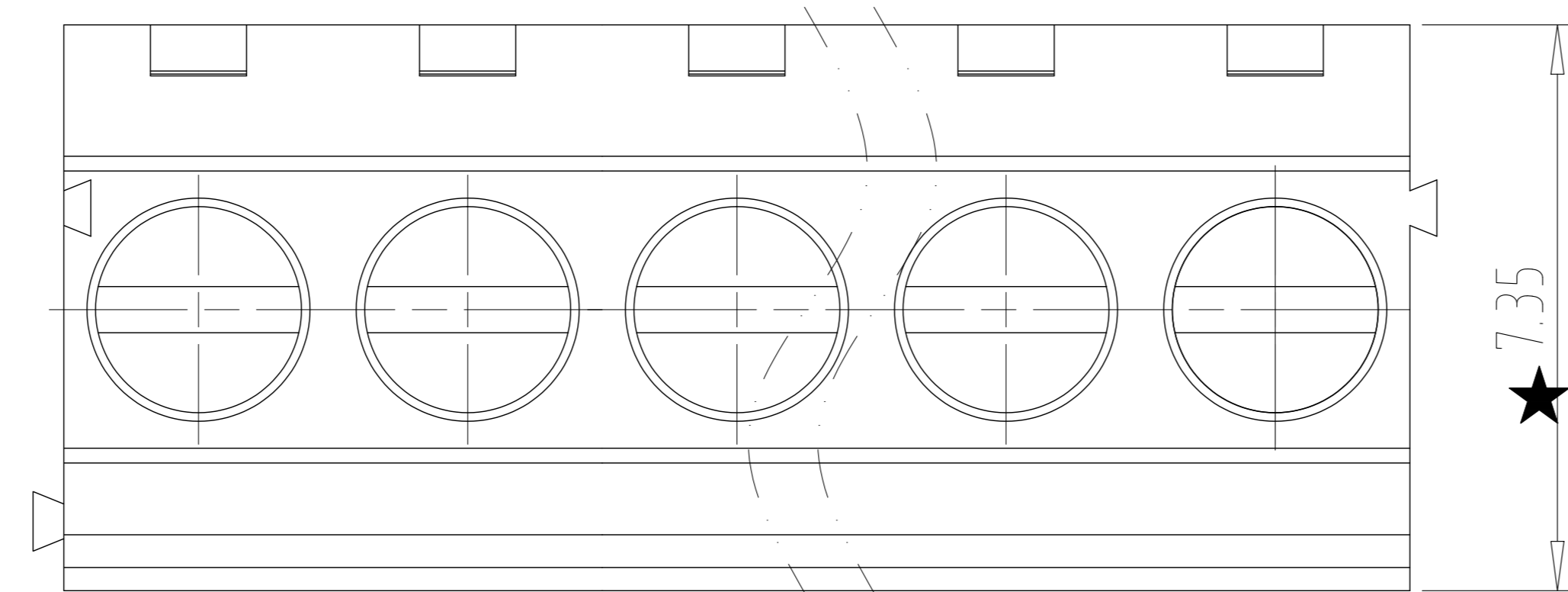
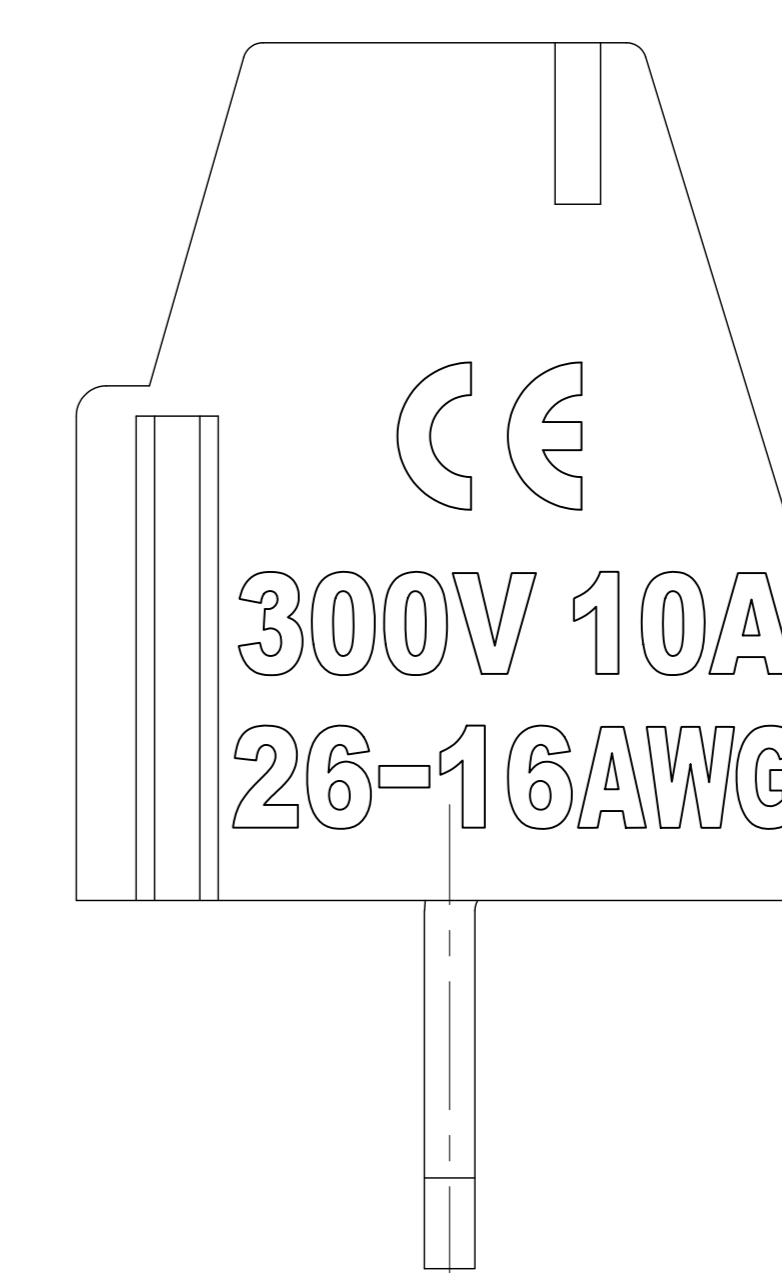


NOTES:

1. Rating:300V 10A;
2. Insulation Withstands Voltage:
AC2000V/MIN
3. Insulation Resistance:
500MΩ or more at DC500V
4. Using Temperature Range: -40°C--+105°C
5. Screw Torque Vlaue:0.2N.m
6. Suitable Electric Wire: 26-16AWG
7. "★" is the important dimension.



SECTION:A-A



Total Pitch Dimension range in mm						Nominal dimension range in mm					radii		chamfers			∠ short angle sid				≡		— //			
0 to 6	over 6 to 16	over 16 to 30	over 30 to 120	over 120 to 250	over 250 to 500	0 to 6	over 6 to 10	over 10 to 16	over 16 to 30	over 30 to 53	0.5 to 3	over 3 to 6	over 6 to 10	over 10 to 30	over 30 to 10	over 10 to 50	over 50 to 120	over 120 to 400	all	0 to 120	over 120 to 200	over 200			
±0.07	±0.12	±0.15	±0.25	±0.40	±0.55	±0.09	±0.12	±0.15	±0.17	±0.2	±0.1	±0.2	±0.1	±0.2	±0.5	1°	30'	20'	10'	0.1	0.2	0.3	0.4		

ITEM	NAME OF PART		NO. OF PART	Q"TY	MATERIAL			NOTE	
DWG.	CXL	DATE	15.06.12	SIZE	A4	UNITS	mm	SHEET/OF	1 / 1
CHK.	DATE			SCALE	5:1		128V-3.5		
APP.	DATE				HOUSING LXW128V-3.50-NP				
NAME									
DWGNO.									
连兴旺电子(深圳)有限公司 LXWCONN ELECTRONICS (SHENZHEN) CO., LTD				LXW128V-3.50-NP					