

Features:

- 1. 2~24 circuits available;
- 2. Material: LCP UL94V-0, Black color;
- 3. Contact: Brass;
- 4. Finished: Tin-plated;
- 5. CAP: Stainless Steel;
- 6. Mates with H300012-XX housing;

Specification:

Current rating: 5A AC/DC
 Voltage rating: 250V AC(RMS) or 250V DC Max
 Contact resistance: 10mΩ Max
 Insulation resistance: 1000MΩ Min
 Dielectric withstanding voltage: 1500V AC/minute
 Ambient temperature rang: -20°C~+85°C

Dimensional Information(mm)

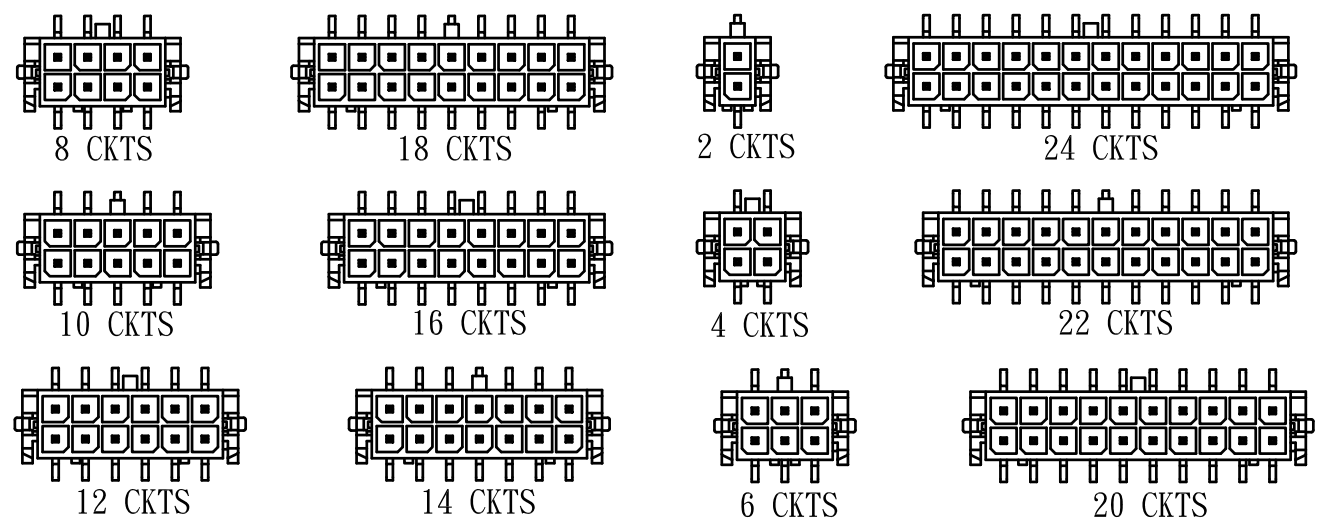
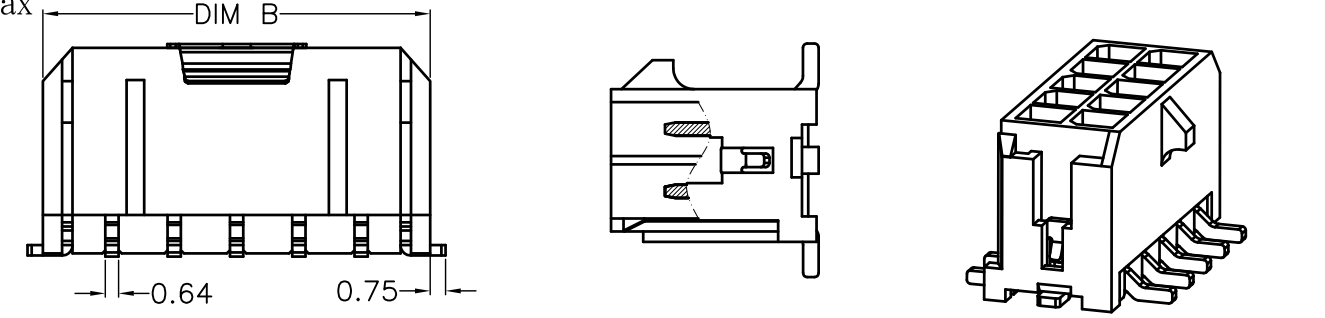
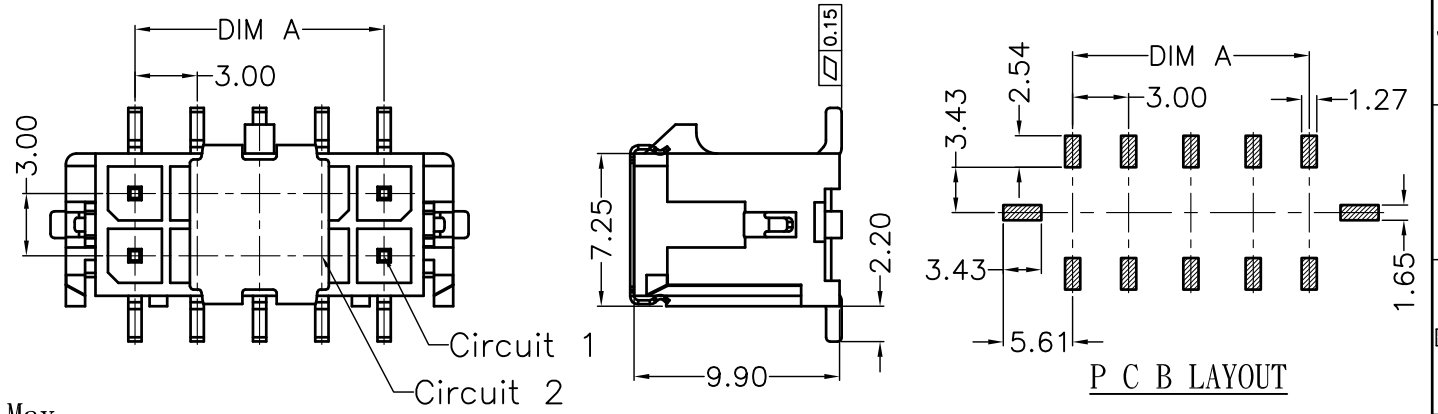
Circuits	DIM A	DIM B	Circuits	DIM A	DIM B
02		6.65	14	18.00	24.65
04	3.00	9.65	16	21.00	27.65
06	6.00	12.65	18	24.00	30.65
08	9.00	15.65	20	27.00	33.65
10	12.00	18.65	22	30.00	36.65
12	15.00	21.65	24	33.00	39.65

H300017-XX-XX

SERIES NO:

PIN Q' PY:
02~24

PLATING:
01: Tin-plated



REV	Description	DATE	GENERAL TOLERANCES (unless specified)	UNITS	MM	DATE	2014-03-05
			X.X±0.4	SCALE	1:1	DRAWING	Liu zhi guo
			X.XX±0.25	REV	A	CHECKED BY	Li peng
			X.XXX±0.15	APPROVAL BY	OYSW		

LXW 连兴旺电子(深圳)有限公司
 LXWCONN ELECTRONICS (SHENZHEN) CO., LTD

PRODUCT NAME: 3.0 mm SMT header
 PART NUMBER: H300017-XX-XX

由 Autodesk 教育版产品制作

由 Autodesk 教育版产品制作