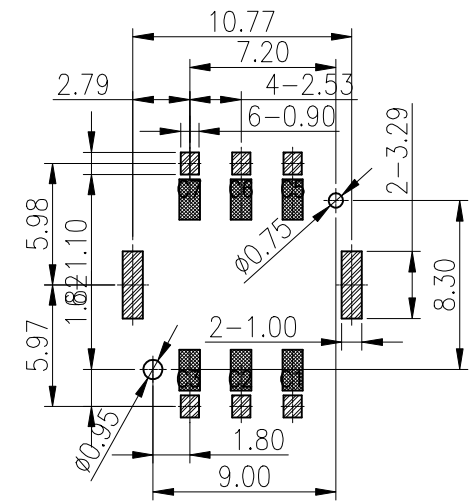
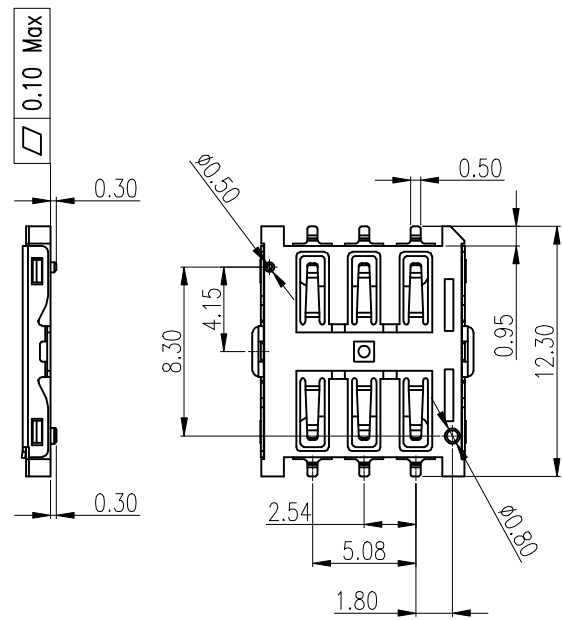
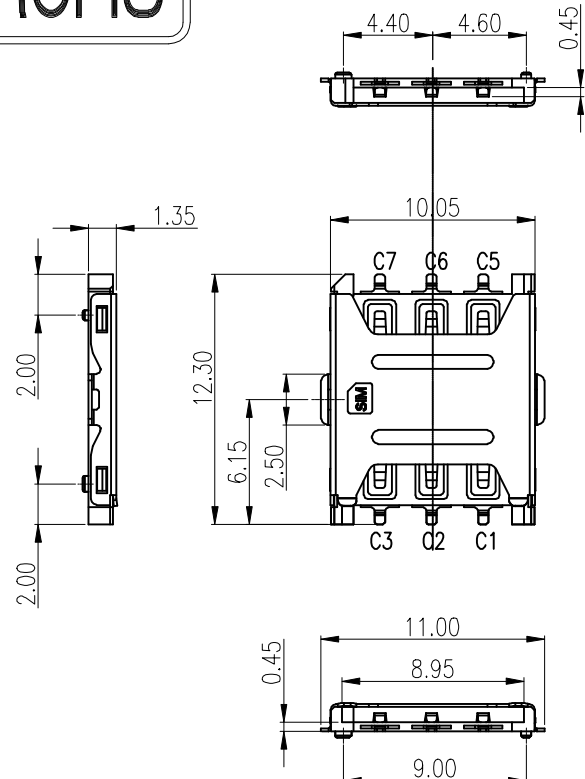


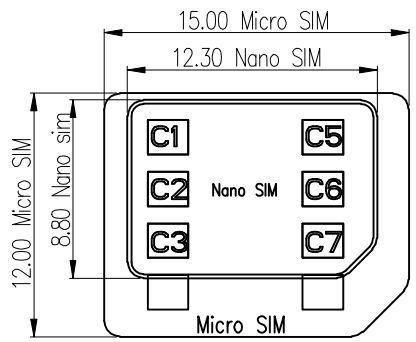
RoHS



RECOMMENDED PCB LAYOUT
 PATTERN PROHIBITION AREA

- NOTES:
- MATERIAL:
 - Insulator: High Temperature Thermoplastic, UL94V-0; Color Black.
 - Terminal: Copper Alloy.
 - Shell: Stainless Steel.
 - PLATING:
 - Contact: Plated 50μ" Ni Overall Contact Au 1μ",
 - Shell: Plated 50μ" Ni Overall, PAD Au 1μ"
 - SPECIALITY:
 - Current Rating :0.5ml AC/DC max.
 - Voltage Rating :125V AC/DC
 - Ambient Temperature Range :-20° C~+60° C
 - Storage Temperature Range :-40° C~+70° C
 - Ambient Humidity Range :95% R.H. Max.
 - Contact Resistance:100mΩ max.
 - Insulation Resistance:1000MΩ min./500VDC
 - Mating Cycles:10,000 Insertions
 - Reflow peak temp.: 260° C ±5° C, 3"5 S
 - Mating Cycles:3,000 Insertions Min
 - PLEASE CONTACT QA SALES REPRESENTATIVE TO VERIFY PRODUCT DETAILS & AVAILABILITY

SIM pin assignment	
PIN#	Name
C1	VCC 供电电压
C2	RST 重置
C3	CLK 时钟
C5	GND 接地
C6	VPP 程序电压
C7	I/O 输入输出



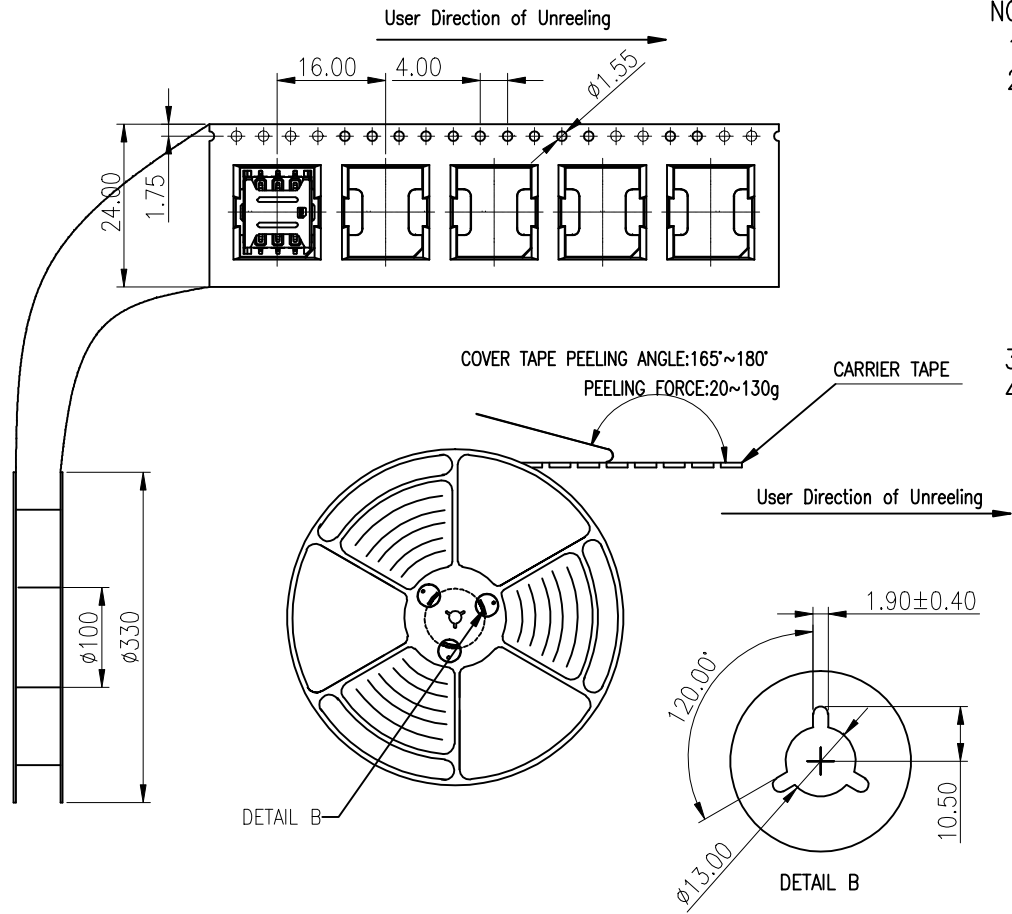
工程变更通知单号 ECN(DCN) NO.	版次 REV	日期 DATE	说明 DESCRIPTION	变更 CHANGE	承认 APPRO.	GENERAL TOLERANCE UNLESS OTHERWISE NOTED
						XX ±0.50
						X ±0.35 X* ±2.0°
						.X ±0.15 .X* ±1.0°
						.XX ±0.10 .XX* ±0.5°

LXW 连兴旺电子(深圳)有限公司
 LXWCONN ELECTRONICS (SHENZHEN) CO., LTD

C PRODUCT SPEC.	
TITLE:	NANO-SIM 卡座 6Pin 1.35H 有定位柱
PART NO.	CS-345-06135W
FILE NAME:	
SCALE	UNIT:mm A4 SHEET: of

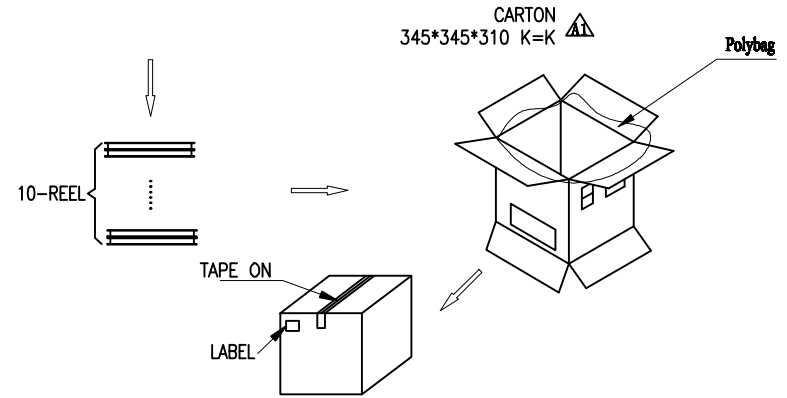
设计 DESIGN	Nicolas	15.04.10
校阅 CHECK	Nicolas	15.04.10
承认 APPRO.		

RoHS



NOTES

1. NUMBER OF CONNECTORS:1800PCS/REEL
2. LEAD TAPE LENGTH
3. QUANTITY:18000PCS/CARTON
4. WEIGHT :
 3.1 NET WEIGHT : Kg
 3.2 GROSS WEIGHT : Kg



LXW 连兴旺电子(深圳)有限公司
 LXWCONN ELECTRONICS (SHENZHEN) CO., LTD

						GENERAL TOLERANCE	设计		
						XX. ±0.50	DESIGN	Nicolas	15.04.10
						X. ±0.35 X.* ±2.0°	校阅		
						.X ±0.15 .X* ±1.0°	CHECK	Nicolas	15.04.10
						.XX ±0.10 .XX* ±0.5°	承认		
工程变更通知单号	版次	日期	说明	改变	承认	GENERAL TOLERANCE	APPRO.		
ECN(DCN) NO.	REV	DATE	DESCRIPTION	CHANGE	APPRO.	UNLESS OTHERWISE NOTED			

C	PRODUCT SPEC.		
TITLE:	NAND-SIM 卡座 0Pin 1.35mm 有定位柱		
PART NO.	CS-345-06135W		
FILE NAME.			
SCALE	UNIT:mm	A4	SHEET: of