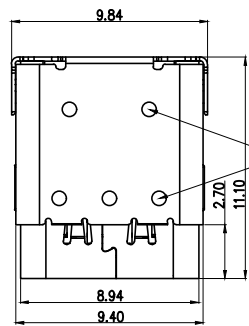
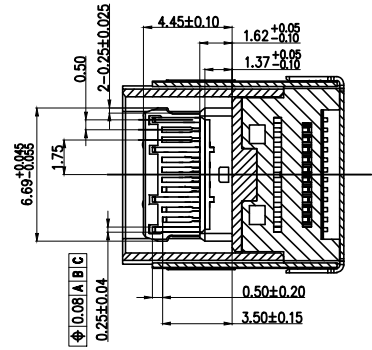
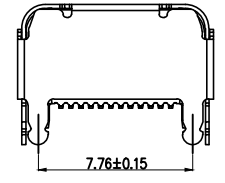
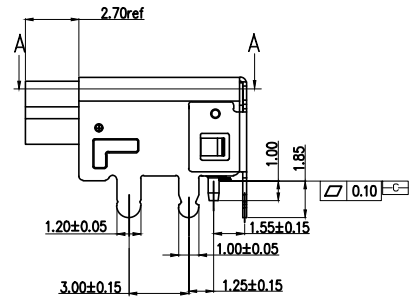
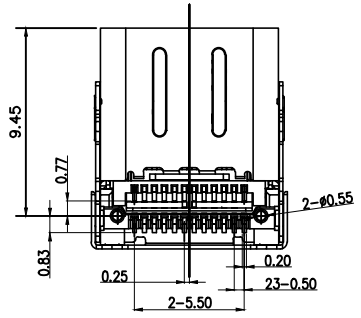
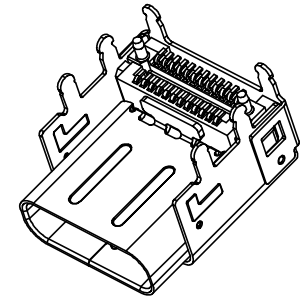
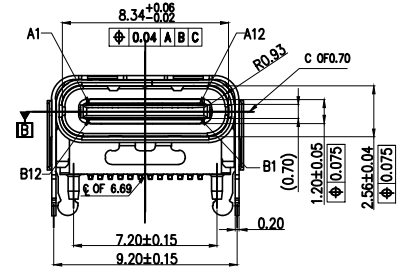


| | | | | |
|------------|---------------------------------|--------------|------------|---------------|
| 标记 MARK | ECN编号/变更内容 ECN NO/DEFINITION | 修改 REVISE | 日期 DATE | 核准 APPROVE |
| | | | | |

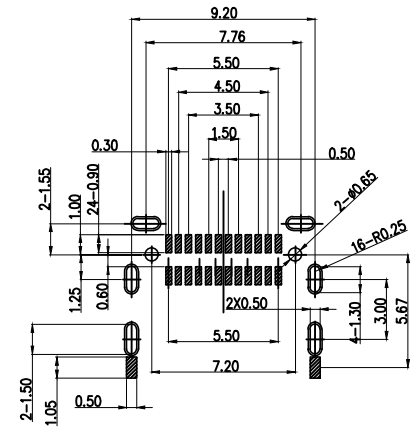
| Pin No | Signal Name | Mating Sequence | Pin No | Signal Name | Mating Sequence |
|--------|-------------|-----------------|--------|-------------|-----------------|
| A1 | GND | First | B12 | GND | First |
| A2 | TX1+ | Second | B11 | RX1+ | Second |
| A3 | TX1- | Second | B10 | RX1- | Second |
| A4 | VBUS | First | B9 | VBUS | First |
| A5 | CC1 | Second | B8 | SBU2 | Second |
| A6 | D+ | Second | B7 | D- | Second |
| A7 | D- | Second | B6 | D+ | Second |
| A8 | SBU1 | Second | B5 | CC2 | Second |
| A9 | VBUS | First | B4 | VBUS | First |
| A10 | RX2- | Second | B3 | TX2- | Second |
| A11 | RX2+ | Second | B2 | TX2+ | Second |
| A12 | GND | First | B1 | GND | First |



Spot welding position is only for your reference



SECTION A-A



RECOMMEND P.C.B LAYOUT (COMPONENT SIDE)
PCB THICKNESS: 2.0±0.05

NOTES:

- MATERIAL :SEE TABLE
- COPLANARITY : 0.10 Max.
- ELECTRICAL CHARACTERISTICS
LOW LEVEL CONTACT RESISTANCE:40mΩ Max
INSULATION RESISTANCE:100MΩ MIN
DIELECTRIC WITHSTANDING VOLTAGE:100 VAC
CONTACT CURRENT RATING:5A Max
- MECHANICAL CHARACTERISTICS
INSERTION FORCE:5~20N
EXTRACTION FORCE:8~20N
AFTER DURABILITY EXTRACTION FORCE:6~20N
- DURABILITY: 10000 CYCLES
- PACKAGING TYPE: CARRIER TAPE.
- SALT SPRAY :24 HOURS

| | | | | |
|----|----|-----|-------|----|
| 3 | 外壳 | 不锈钢 | 镀镍 | |
| 2 | 接触 | 铜 | 镀金 | |
| 1 | 基座 | 不锈钢 | 黑色 | |
| 序号 | 品名 | 材质 | 电镀/颜色 | 备注 |

| | | | |
|--|--|---|--|
| | 深圳市虹成电子有限公司 品名 TITLE: TYPE-C母座 料号 PART NO: HC-TYPE-C-24P-G001 | | |
| | GENERAL TOLERANCES (UNLESS SPECIFIED) X. ± 0.5 .X° ± 2° .X ± 0.3 .XX° ± 1° .XX ± 0.1 .XXX° ± 0.5° .XXX ± 0.05 | 比列 SCALE: 1:1 单位 UNIT: MM 张数 PART NO: 1 OF 1 版本 REV: A | |

