

Features

- Low Output Noise
- No Output Capacitor Required
- Tolerates Capacitive Loads
- Low Temperature Deviation: 4mV(typ)
- Low Temperature Coefficient of 100 ppm/°C (max)
- Fixed Reverse-Breakdown Voltages 1.24V
- Output Voltage Tolerance (±0.3%)
- Package appearance SOT23

Applications

- Battery-Powered Equipment
- Data Acquisition Systems
- Precision Audio Components
- Instrumentation
- Process Control
- Energy Management
- Product Testing

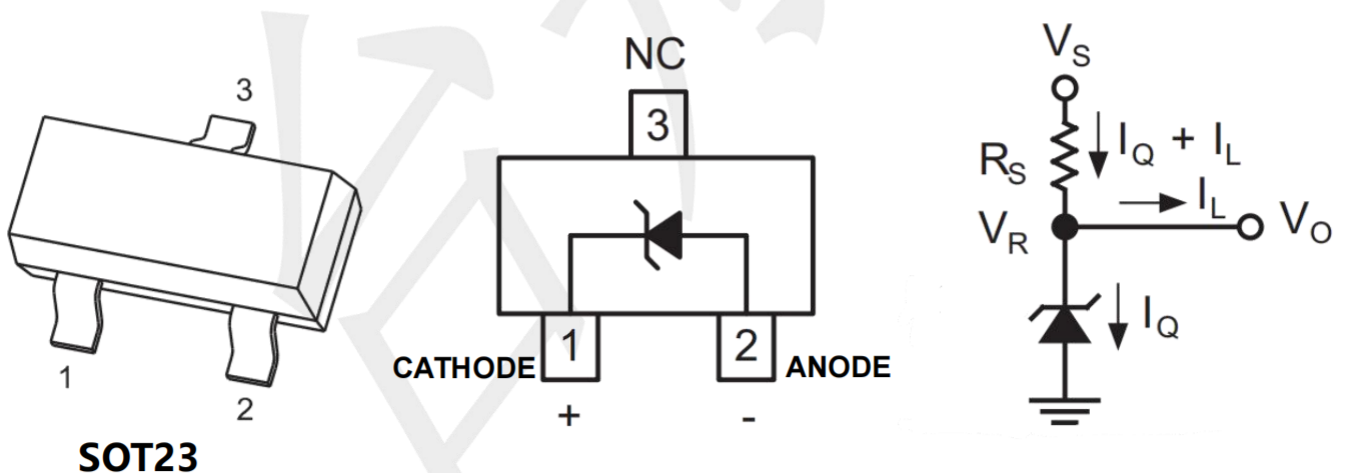
General Description

This is a parallel voltage reference with diverse functions, easy to use, and suitable for Various applications. The pin fixed output device does not require external capacitors Operable and stable when working with all capacitive loads. Here Moreover, this benchmark has low dynamic impedance, low noise, and low temperature coefficient, which can Ensure stable output voltage within a wide range of operating currents and temperatures.

This is packaged in SOT23, which saves space,

The minimum current is 25 μ A (typical value), making it suitable for portable applications The ideal choice. Its rated operating temperature range is - 40 ° C to+125 ° C.

Circuit diagram and pin information



Note : Pin NC is attached to substrate and must be connected to ANODE or open.

Absolute Maximum Ratings

Within the range of $T_A=25\text{ }^\circ\text{C}$ (unless otherwise specified)

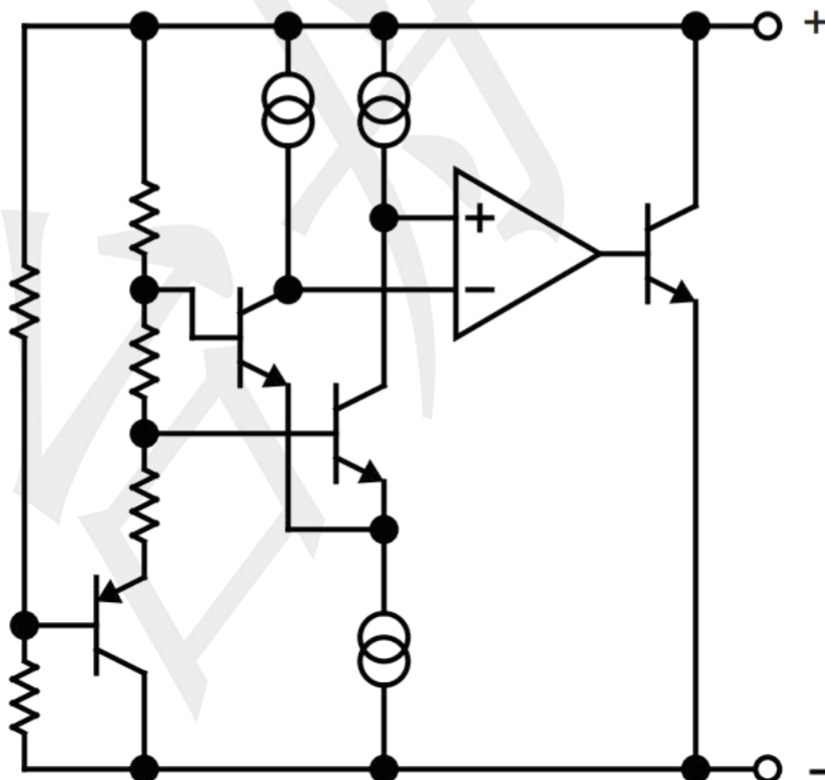
Parameter		Value	UNIT
PM	Power Rating	0.25	W
Rc	Reverse Current	20	mA
Fc	Forward Current	10	mA
TOA	Operating Ambient Temperature Range	-40 ~ +125	°C
TJ	Operating virtual junction temperature	+150	°C
Tstg	Storage temperature range	-55 ~ +150	°C
ESD	Human Body Model	6	KV
ESD	Machine Model	0.4	KV

(1) Exceeding the absolute maximum rated pressure listed may result in permanent damage to the equipment. These are only rated stresses and do not imply any of them or any of them

The functional operation of the equipment under his conditions (beyond the conditions indicated under the 'recommended working conditions'). Long term exposure to absolute maximum rated conditions can It can affect the reliability of the equipment.

(2) Unless otherwise specified, all voltage values are related to the anode.

BLOCK DIAGRAM



Electrical Characteristics

($I_R = 100\mu\text{A}$, $T_A = T_{\text{MIN}}$ to T_{MAX} , unless otherwise noted. Typical values are at $T_A = +25^\circ\text{C}$.)^(Note 1)

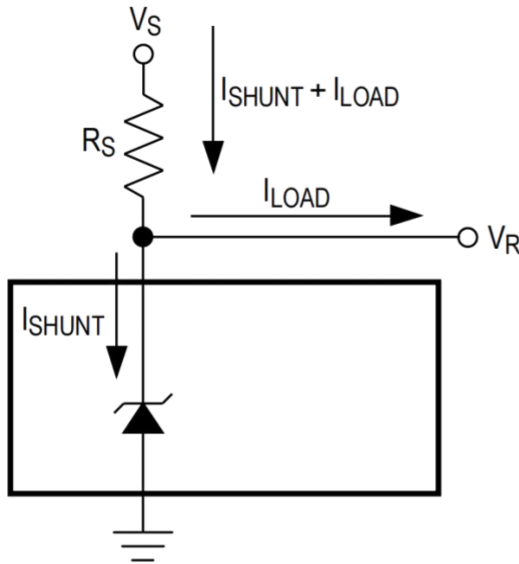
PARAMETER	SYMBOL	CONDITIONS	MIN	TYP	MAX	UNITS
Reverse Breakdown Voltage	V_R	$T_A = +25^\circ\text{C}$	1.200	1.240	1.280	V
Reverse Breakdown Voltage Tolerance (Note 2)	V_R		--	± 4.0	± 19	mV
Minimum Operating Current	$I_{R\text{MIN}}$		--	25	65	μA
Average Reverse Voltage	$\Delta V_R/\Delta T$	$I_R = 10\text{mA}$	± 20			ppm/ $^\circ\text{C}$
Temperature Coefficient (Notes 2 and 3)		$I_R = 1\text{mA}$	--	± 15	± 100	
		$I_R = 100\mu\text{A}$	± 15			
Reverse Breakdown Voltage Change with Operating Current Change		$I_{R\text{MIN}} \leq I_R \leq 1\text{mA}$	--	0.3	1.0	mV
		$1\text{mA} \leq I_R \leq 20\text{mA}$	--	2.5	8.0	
Reverse Dynamic Impedance (Note 3)	Z_R	$I_R = 1\text{mA}$, $f = 120\text{Hz}$, $I_{AC} = 0.1I_R$	--	0.3	0.8	Ω
Wide band Noise	e_N	$I_R = 100\mu\text{A}$, $10\text{Hz} \leq f \leq 10\text{kHz}$	60			μV_{RMS}
Reverse Breakdown Voltage Long-Term Stability	ΔV_R	$T = 1000\text{h}$	20			ppm

Note 1: All devices are 100% production tested at $T_A = +25^\circ\text{C}$ and are guaranteed by design for $T_A = T_{\text{MIN}}$ to T_{MAX} , as specified.

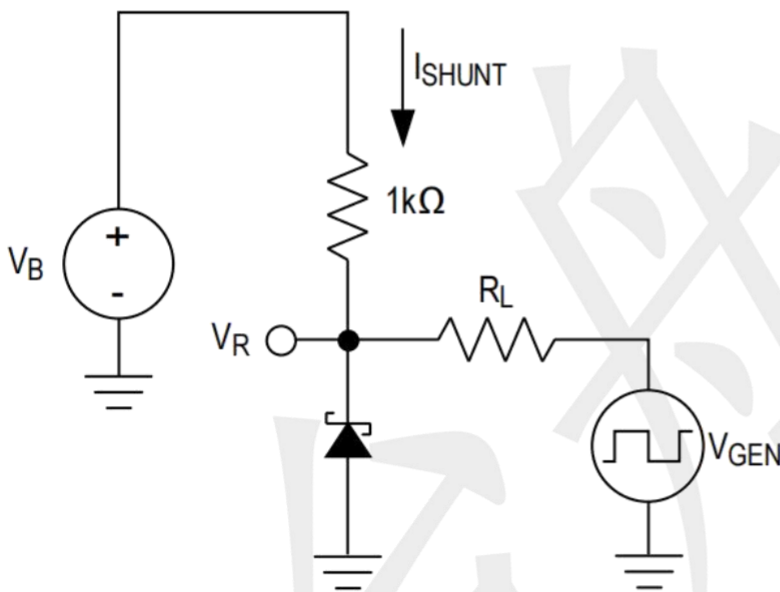
Note 2: The over temperature limit for Reverse Breakdown Voltage Tolerance is defined as the room-temperature Reverse Breakdown Voltage Tolerance $\pm[(\Delta V_R/\Delta T)(\text{max}\Delta T)(V_R)]$, where $\Delta V_R/\Delta T$ is the V_R temperature coefficient, $\text{max}\Delta T$ is the maximum difference in temperature from the reference point of $+25^\circ\text{C}$ to T_{MIN} or T_{MAX} , and V_R is the reverse breakdown voltage.

Note 3: Guaranteed by design.

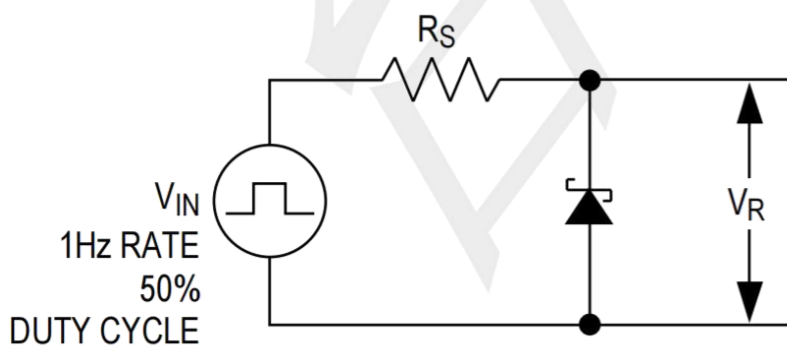
Typical Application Circuits



Typical Operating Circuit



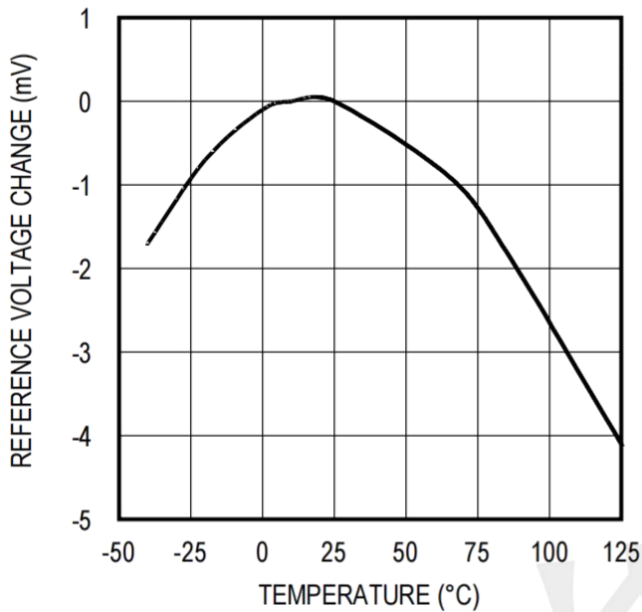
Load-Transient Test Circuit



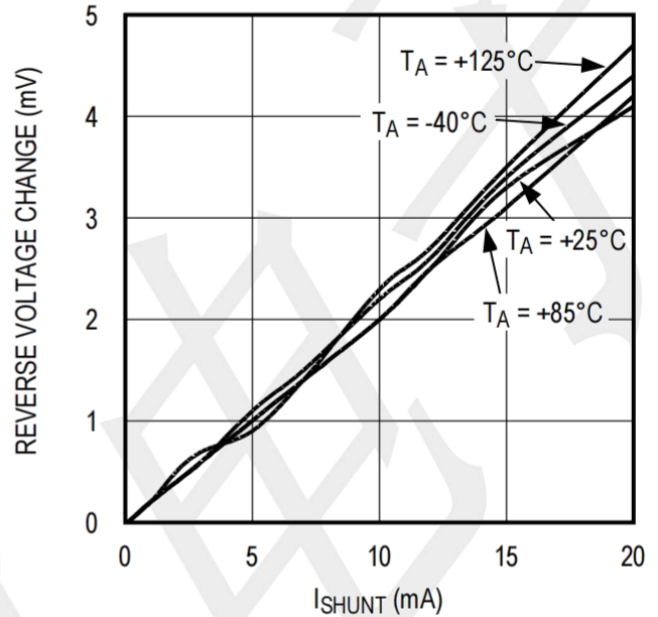
Startup Characteristics Test Circuit

Typical Operating Characteristics

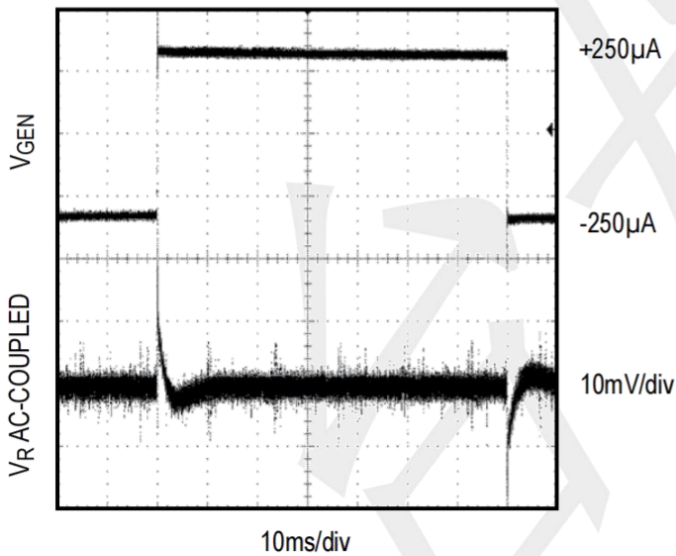
TEMPERATURE DRIFT



REVERSE VOLTAGE vs. I_{SHUNT}

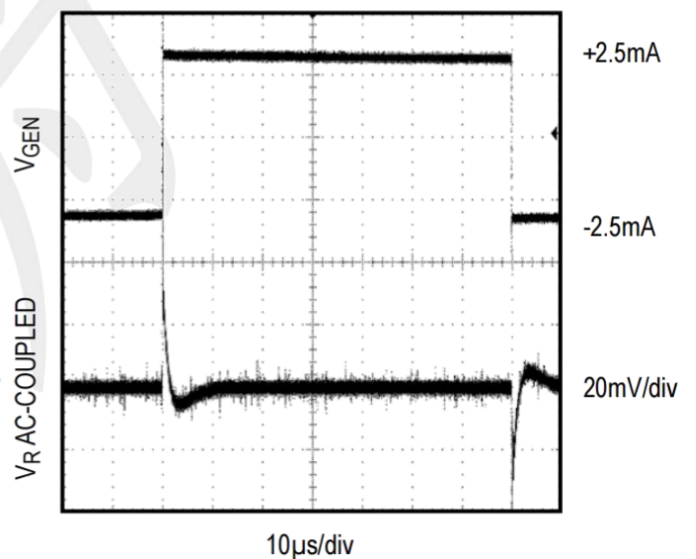


LOAD-TRANSIENT RESPONSE



I_{SHUNT} = 1mA ± 250μA
R_L = 10kΩ, SEE FIGURE 1

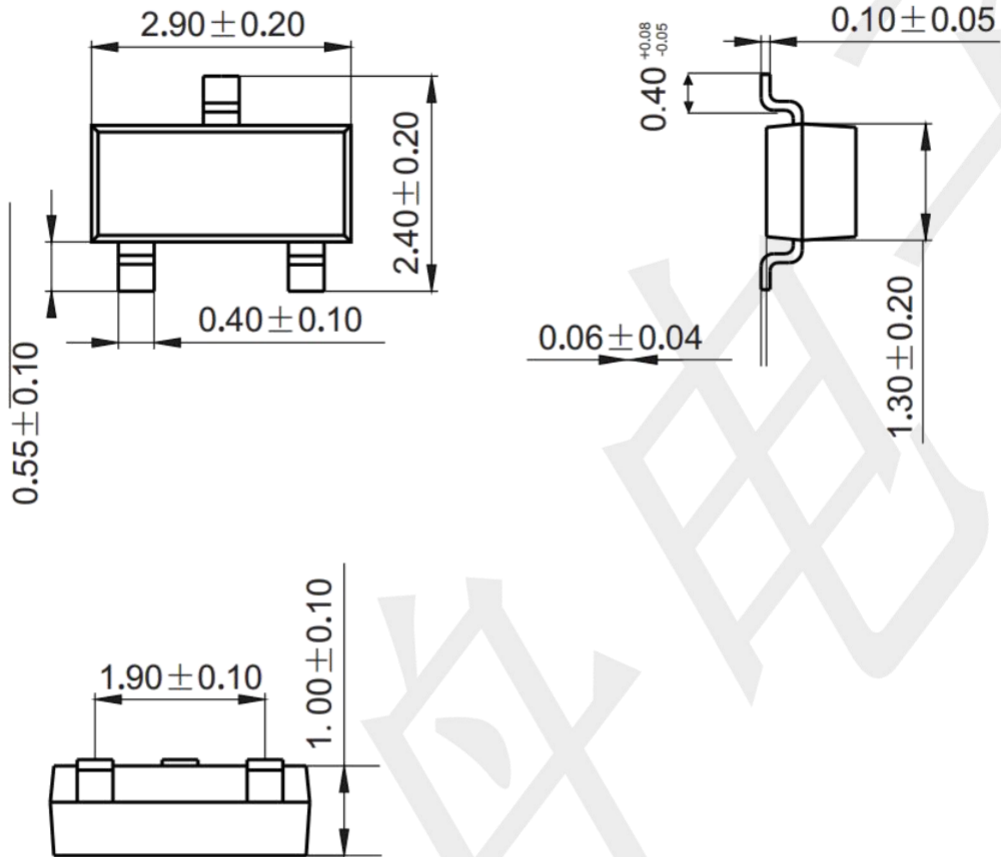
LOAD-TRANSIENT RESPONSE



I_{SHUNT} = 10mA ± 2.5mA
R_L = 1kΩ, SEE FIGURE 1

Package Outline Dimensions (unit: mm)

SOT23



Mounting Pad Layout (unit: mm)

