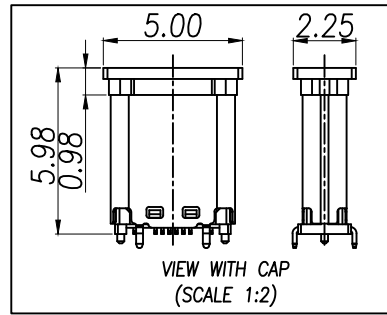
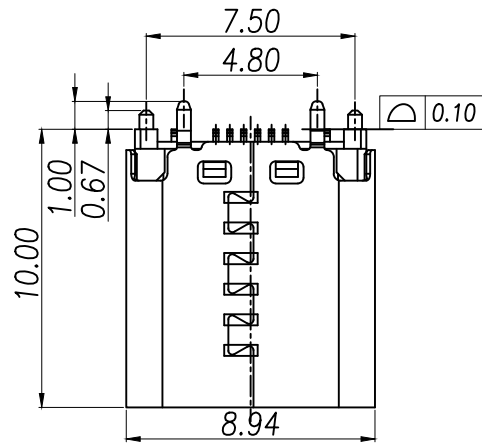
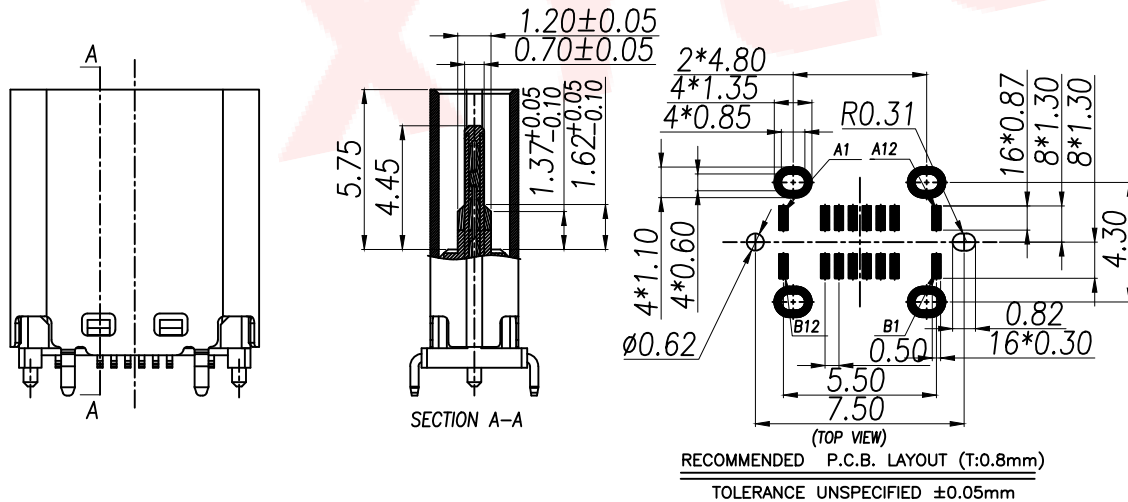
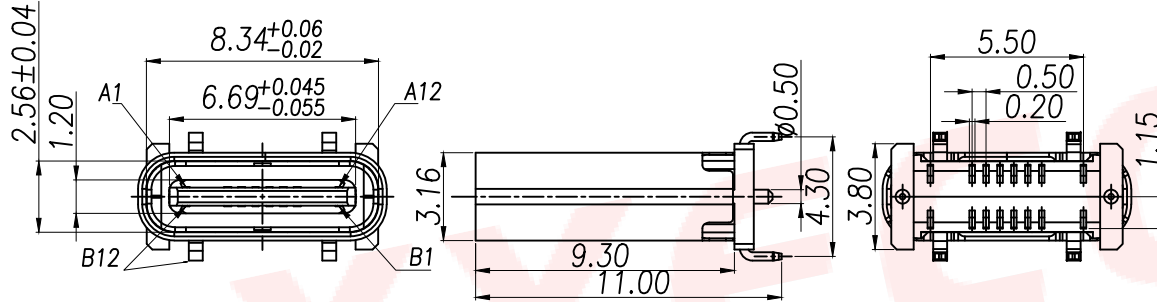


REV.	Q'TY	ECN. NO.	APR.	DATE



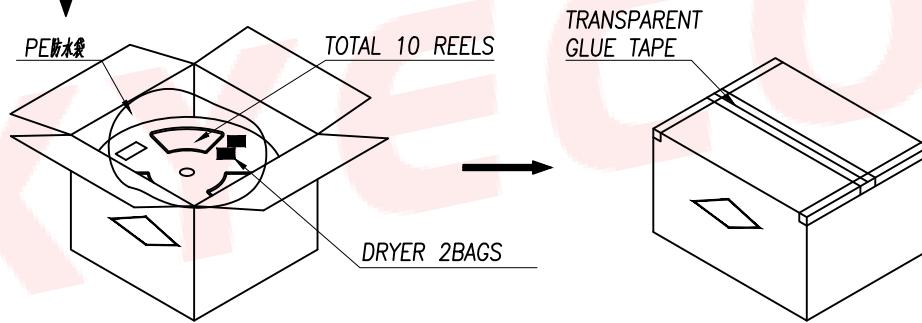
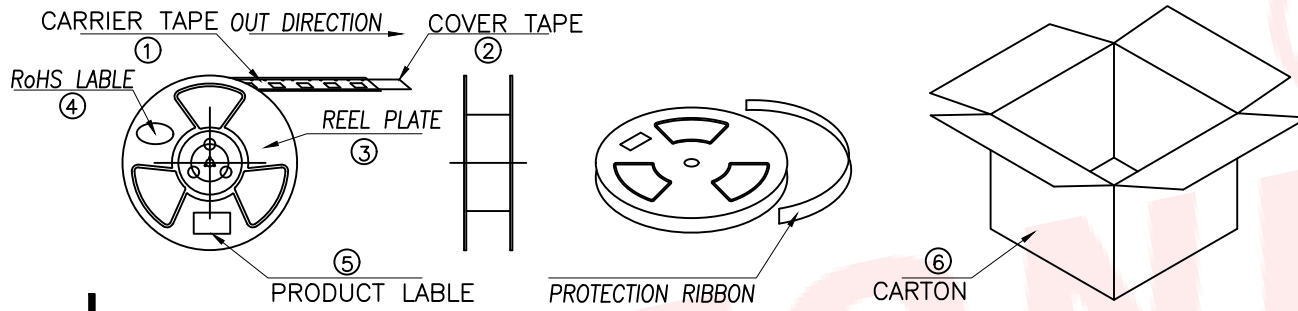
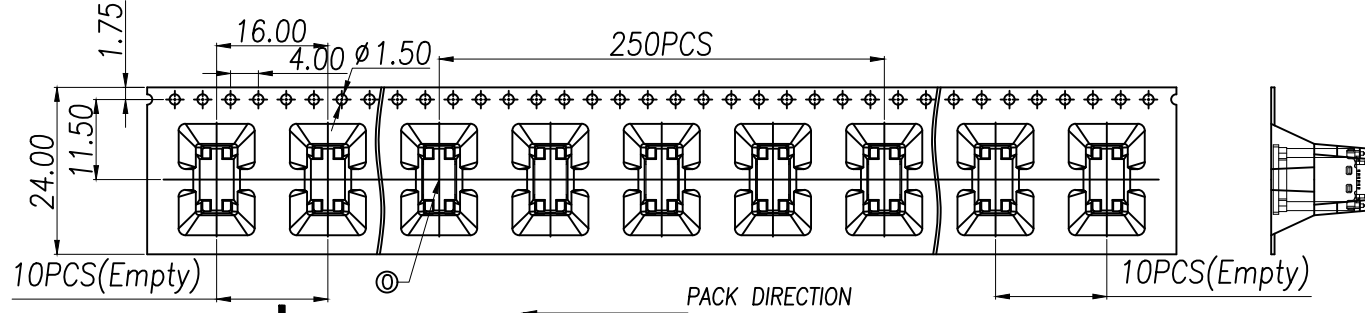
PIN DEFINE TABLE			
PIN	SIGNAL	PIN	SIGNAL
A12	GND	B1	GND
A11	—	B2	—
A10	—	B3	—
A9	VBUS	B4	VBUS
A8	SBU1	B5	CC2
A7	D-	B6	D+
A6	D+	B7	D-
A5	CC1	B8	SBU2
A4	VBUS	B9	VBUS
A3	—	B10	—
A2	—	B11	—
A1	GND	B12	GND

- SPECIFICATION:**
- MATERIAL & FINISH:** SEE THE LIST;
 - PLATING SPECIFICATION:**
 - CONTACTS: Ni 50u" MIN. UNDER PLATED OVER ALL. Au PLATED ON THE MATING AREA OF CONTACT. Au PLATED ON THE SOLDER AREA.
 - SHELL: Ni 30u" MIN. UNDER PLATED OVER ALL.
 - MID PLATE: CLEAR ONLY
 - MECHANICAL:**
 - MATING FORCE: 0.5~2.0kgf;
 - UNMATING FORCE: 0.8~2.0kgf. 0.6~2.0kgf AFTER DURABILITY TEST;
 - DURABILITY: 10000 CYCLES;
 - ELECTRICAL:**
 - CURRENT RATING: 5A Max;
 - VOLTAGE RATING: 20V Max;
 - DIELECTRIC WITHSTANDING VOLTAGE: 100VAC;
 - CONTACT RESISTANCE: 40mΩ Ohms Max.;
 - INSULATION RESISTANCE: 100M Ohms Min.;
 - ENVIRONMENTAL:**
 - OPERATING TEMPERATURE: -40°C~+85°C;
 - WETTING TEMPERATURE: 265±5°C, 5±0.5s
 - Salt Spray Test: 48H Min



NO.	PART NAME	Q'TY	MATERIAL	FINISH
5	CAP	1	High temperature plastic	UL94 V-0,Black
4	Shell	1	Stainless Steel,T=0.30mm	30u"Ni Min.
3	GroundBar	1	Stainless Steel,T=0.15mm	No Plating
2	Contact	16	Copper Alloy,T=0.15mm	Au/Ni-Plated
1	Housing	1	High temperature plastic	UL94 V-0,Black

DIMENSION IN mm		厦门市辛译精密电子有限公司 Xiamen XinYi Xyecom Electronics Co.,Ltd			
TOLERANCE UNLESS OTHERWISE SPECIFIED		TITLE: TYPE-C 16p 插拔H10.0mm			
.X±0.50	X.*± 5'	APR.	Alex	DWG NO. TYPE-C-F27-2TDWH100	
.XX±0.35	.X'± 3'	CHK.	Jack	PROJ. CUSTOMER DRAWING	
.XXX±0.25	.XX'± 2.5	DRA.	Can	SIZE A4	SCALE 1:1
				SHEET 1/1	REV. A



- 说明:
- 1.每卷前后各空10PCS,尾端用美纹纸封住;
 - 2.将产品放满盘后,再卷一圈保护带,用美纹纸将其封住,并贴上1Pcs物料标签;
 - 3.每10卷盘一共共2500Pcs并装入1个外箱内;
 - 4.在搬运过程中要轻拿轻放;
 - 5.在运输中不可堆放过多(1.8M最高),不可重压;
 - 6.跌落测试条件:
成品箱从1.2米高度自由落体(一角三棱六面):
a.产品不可跑出下带凹槽;
b.产品不可有划伤,变形;
c.内包装材料不可严重破损.

NO.	NAME	SPEC	Q'TY
①	TYPE C RECEPTACLE		2500PCS/CARTON
②	CARRIER TAPE	W=24mm,T=0.50mm	250PCS/PLATE
③	COVER TAPE	W=21.3mm	10PLATES/CARTON
④	REEL PLATE	φ330*100*24.4mm	10PCS/CARTON
⑤	RoHS LABEL		10PCS/CARTON
⑥	PRODUCT LABER		10PCS/CARTON
⑦	CARTON	350*340*310mm	1PCS/PACKAGE

DIMENSION IN mm		TOLERANCE UNLESS OTHERWISE SPECIFIED		厦门市辛译精密电子有限公司 Xiamen XinYi Xyconn Electronics Co.,Ltd	
.X±0.50	X.*± 5'	APR.	Alex	TITLE: TYPE-C 16p 插板间距H10.0mm	
.XX±0.35	.X*± 3'	CHK.	Jack	DWG NO. TYPE-C-F27-2TDWH100	
.XXX±0.25	.XX*± 2.5	DRA.	Can	PROJ. CUSTOMER DRAWING	
		SIZE	A4	SCALE	1:1
		SHEET	1/1	REV.	A