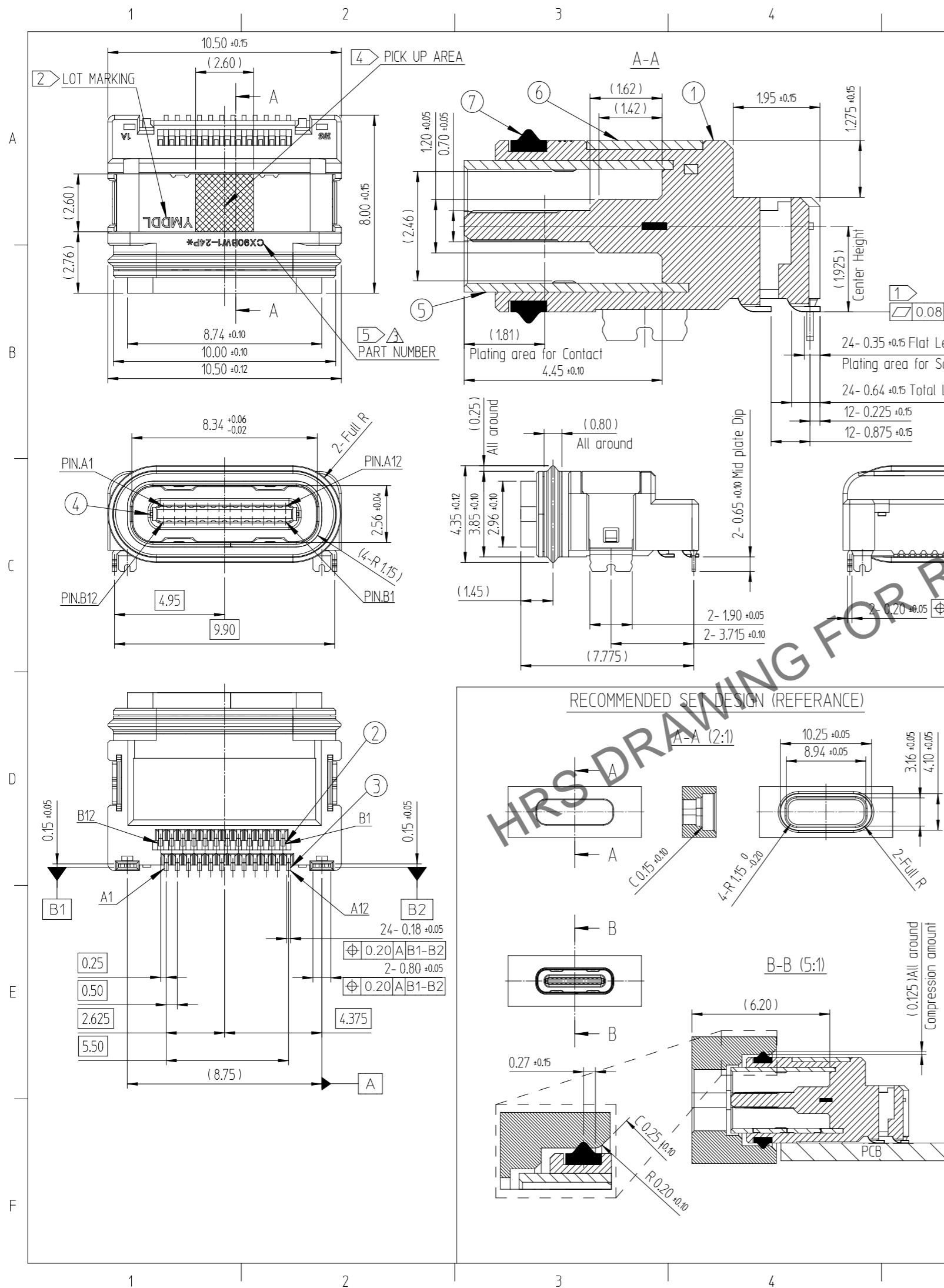


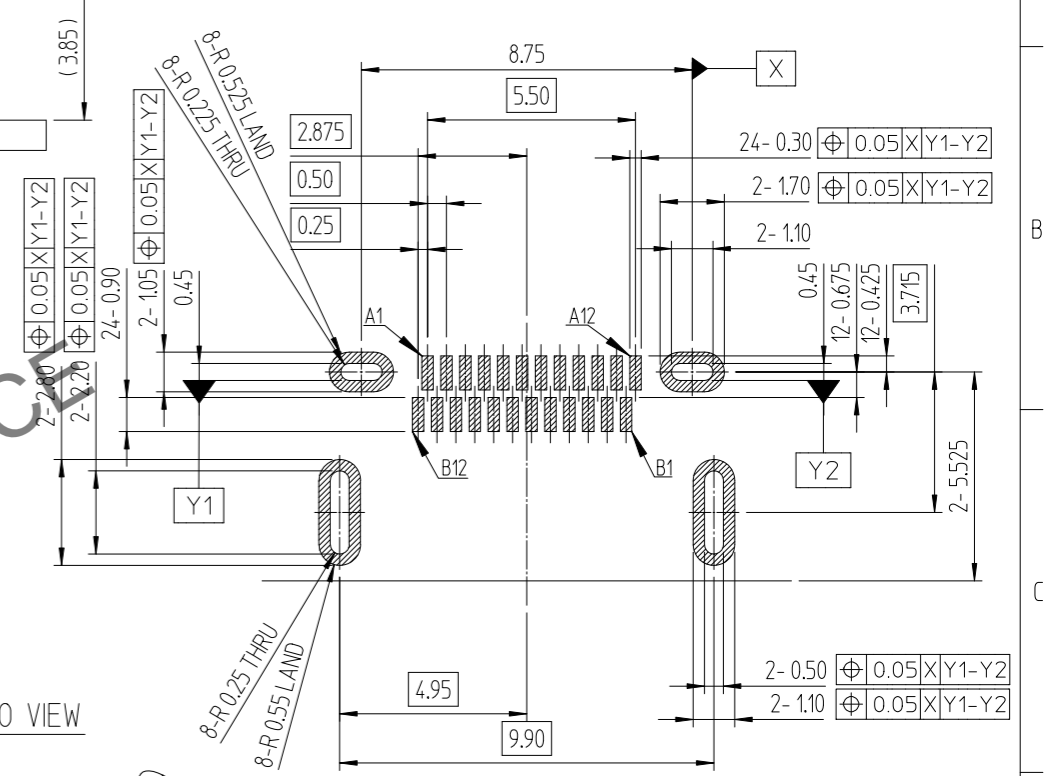
Dec.1.2025 Copyright 2025 HIROSE ELECTRIC CO., LTD. All Rights Reserved.
In case of consideration for using Automotive equipment / device which demand high reliability, kindly contact our sales window correspondents.



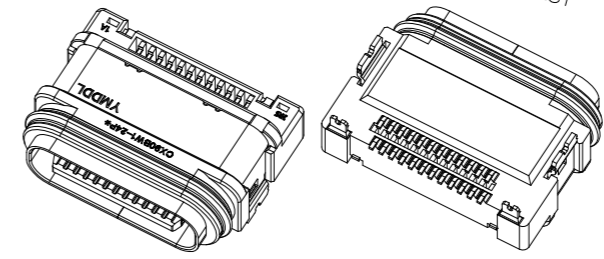
△數 COUNT	訂正事項 DESCRIPTION OF REVISIONS	擔當 BY	檢圖 CHKD	年月日 DATE	△數 COUNT	訂正事項 DESCRIPTION OF REVISIONS	擔當 BY	檢圖 CHKD	年月日 DATE
5	1 Released(RE-2-2440)	KYG	LHJ	23, 10, 26					
6	- EC(RE-2-2477)	KYG	LHJ	23, 12, 08					
7	1 EC(RE-2-2556)	OSW	LHJ	24, 05, 01					

PCB MOUNTING POSITION

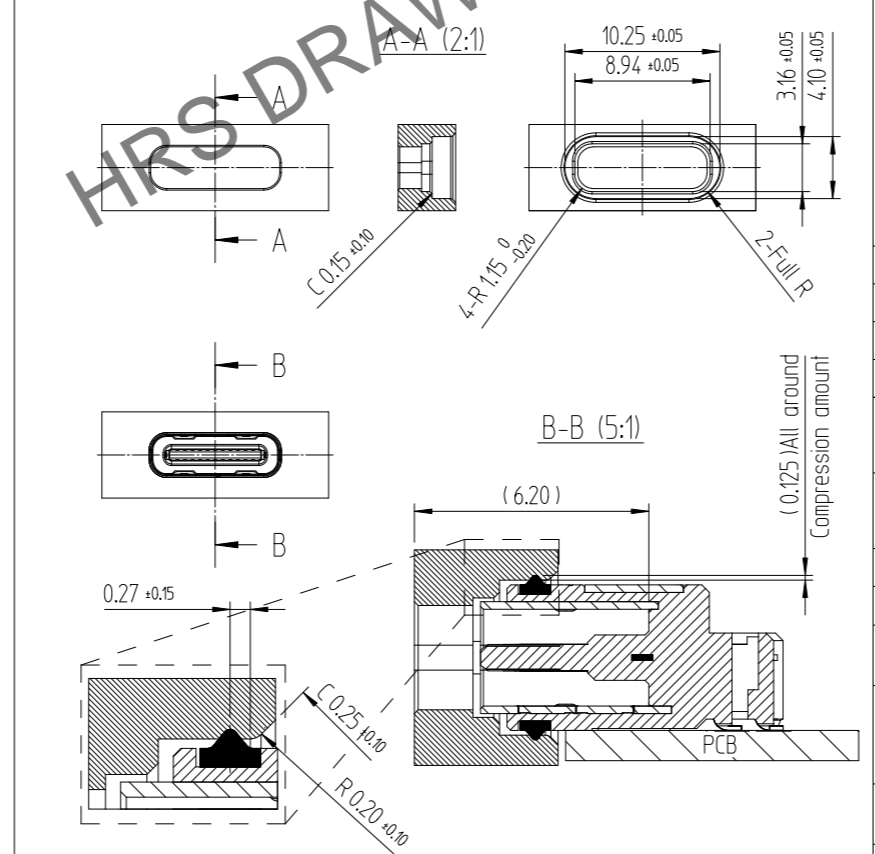
RECOMMENDED PCB LAYOUT(TOP-VIEW)
(GENERAL TOLERANCE : ±0.05)



ISO VIEW



RECOMMENDED SET DESIGN (REFERENCE)

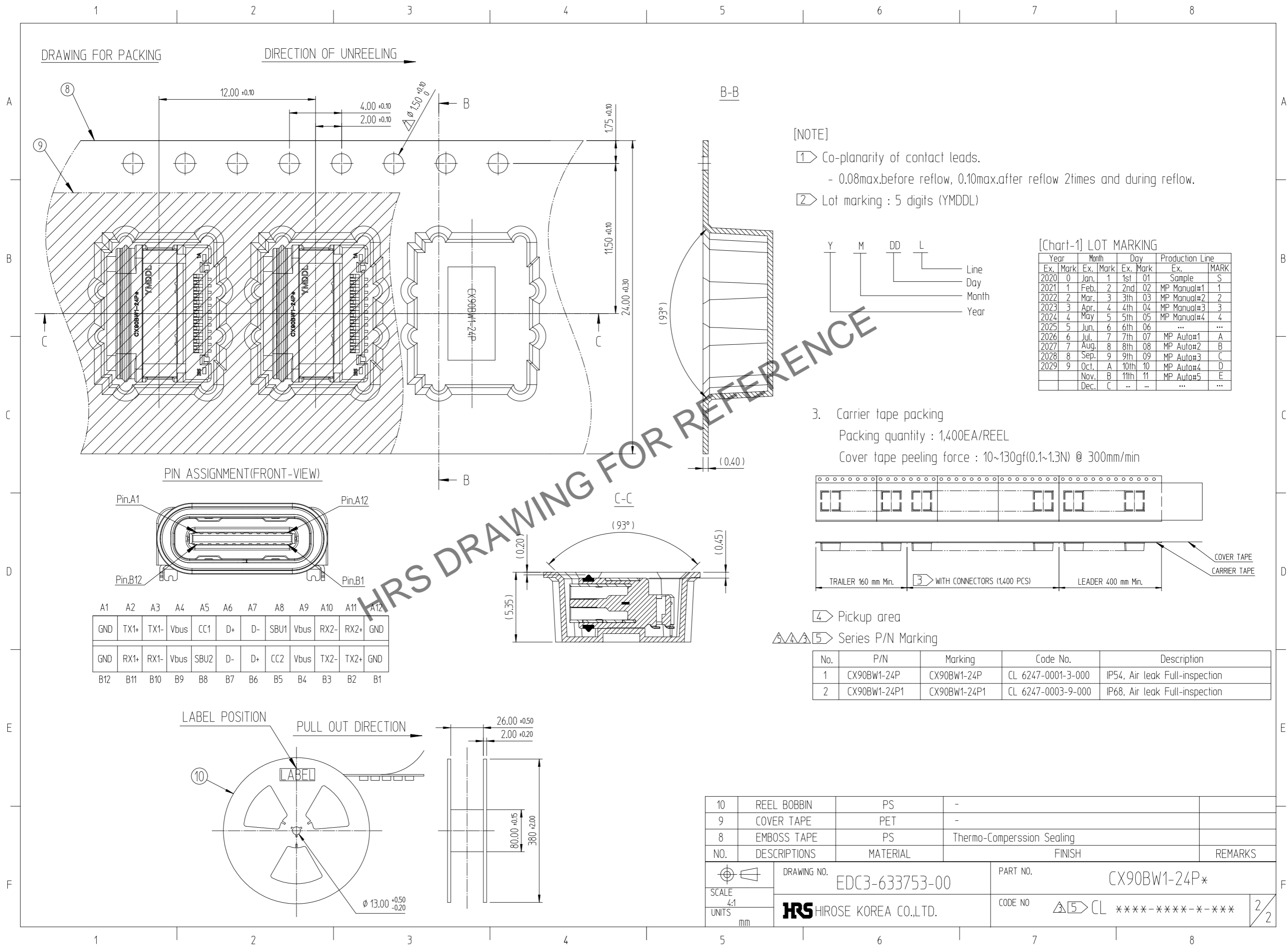


NO.	DESCRIPTIONS	MATERIAL	FINISH	REMARKS
7	GASKET	SILICONE	GRAY COLOR	-
6	BRACKET	STAINLESS STEEL	NICKEL PLATING	-
5	SHELL	STAINLESS STEEL	CLEANSING	-
4	MID PLATE	STAINLESS STEEL	NICKEL PLATING	△
3	CONTACT 2ND	COPPER ALLOY	CONTACT AREA : GOLD OVER NICKEL PLATING SOLDER AREA : GOLD OVER NICKEL PLATING THE OTHER AREA : NICKEL PLATING	-
2	CONTACT 1ST	COPPER ALLOY		
1	INSERT CASE	THERMOPLASTIC	BLACK COLOR	UL94V-0

CODE NO. (OLD)	DRAWN	DESIGNED	CHECKED	APPROVED	RELEASED
	Y.G.KIM 22.08.24	Y.G.KIM 22.08.24	H.J.LEE 22.08.24	H.J.LEE 22.08.24	ENG 24.05.01 DEPT

SCALE 5:1 UNITS mm	DRAWING NO. EDC3-633753-00	PART NO. CX90BW1-24P*	CODE NO △5 CL ****-****-****	1/2
-----------------------------	-------------------------------	--------------------------	---------------------------------	-----

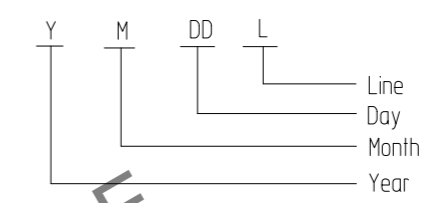
Dec.1.2025 Copyright 2025 HIROSE ELECTRIC CO., LTD. All Rights Reserved.
In case of consideration for using Automotive equipment / device which demand high reliability, kindly contact our sales window correspondents.



[NOTE]

① Co-planarity of contact leads.
- 0.08max.before reflow, 0.10max.after reflow 2times and during reflow.

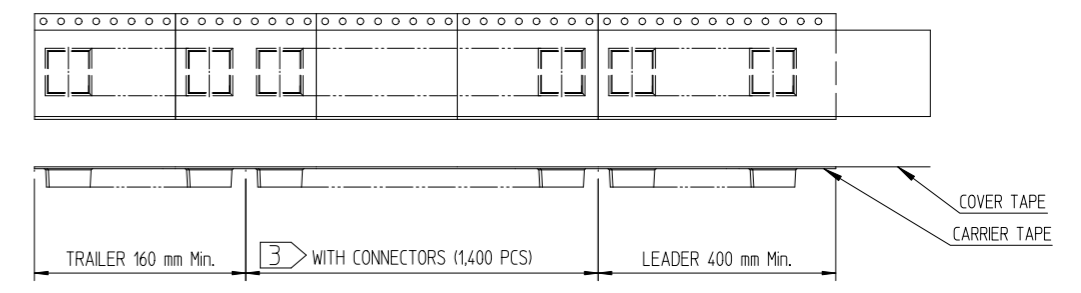
② Lot marking : 5 digits (YMDDL)



[Chart-1] LOT MARKING

Year	Month	Day	Production Line	Ex. Mark	MARK
2020	0	Jan. 1 1st	01	Sample	S
2021	1	Feb. 2 2nd	02	MP Manual#1	1
2022	2	Mar. 3 3th	03	MP Manual#2	2
2023	3	Apr. 4 4th	04	MP Manual#3	3
2024	4	May 5 5th	05	MP Manual#4	4
2025	5	Jun. 6 6th	06
2026	6	Jul. 7 7th	07	MP Auto#1	A
2027	7	Aug. 8 8th	08	MP Auto#2	B
2028	8	Sep. 9 9th	09	MP Auto#3	C
2029	9	Oct. A 10th	10	MP Auto#4	D
		Nov. B 11th	11	MP Auto#5	E
		Dec. C

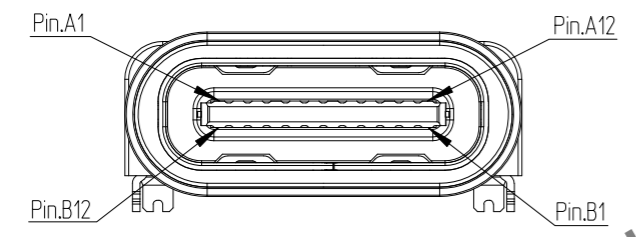
3. Carrier tape packing
Packing quantity : 1,400EA/REEL
Cover tape peeling force : 10~130gf(0.1~1.3N) @ 300mm/min



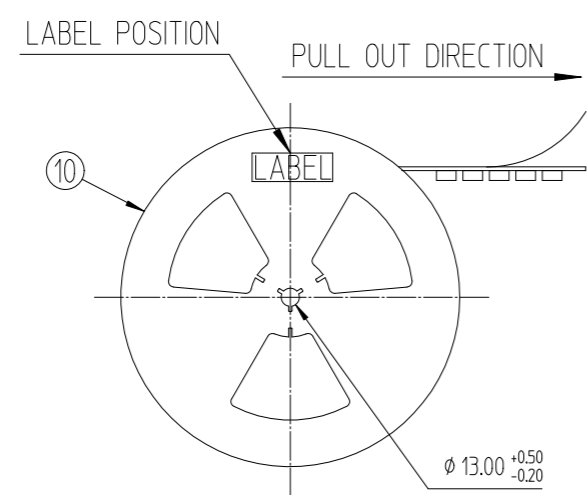
④ Pickup area
⑤ Series P/N Marking

No.	P/N	Marking	Code No.	Description
1	CX90BW1-24P	CX90BW1-24P	CL 6247-0001-3-000	IP54, Air leak Full-inspection
2	CX90BW1-24P1	CX90BW1-24P1	CL 6247-0003-9-000	IP68, Air leak Full-inspection

PIN ASSIGNMENT(FRONT-VIEW)



A1	A2	A3	A4	A5	A6	A7	A8	A9	A10	A11	A12
GND	TX1+	TX1-	Vbus	CC1	D+	D-	SBU1	Vbus	RX2-	RX2+	GND
B12	B11	B10	B9	B8	B7	B6	B5	B4	B3	B2	B1
GND	RX1+	RX1-	Vbus	SBU2	D-	D+	CC2	Vbus	TX2-	TX2+	GND



10	REEL BOBBIN	PS	-	
9	COVER TAPE	PET	-	
8	EMBOSS TAPE	PS	Thermo-Comperssion Sealing	
NO.	DESCRIPTIONS	MATERIAL	FINISH	REMARKS
DRAWING NO. EDC3-633753-00		PART NO. CX90BW1-24P*		
SCALE 4:1		CODE NO. ⑤ CL ****-****-****		2/2
UNITS mm		HRS HIROSE KOREA CO.,LTD.		