

4

3

2

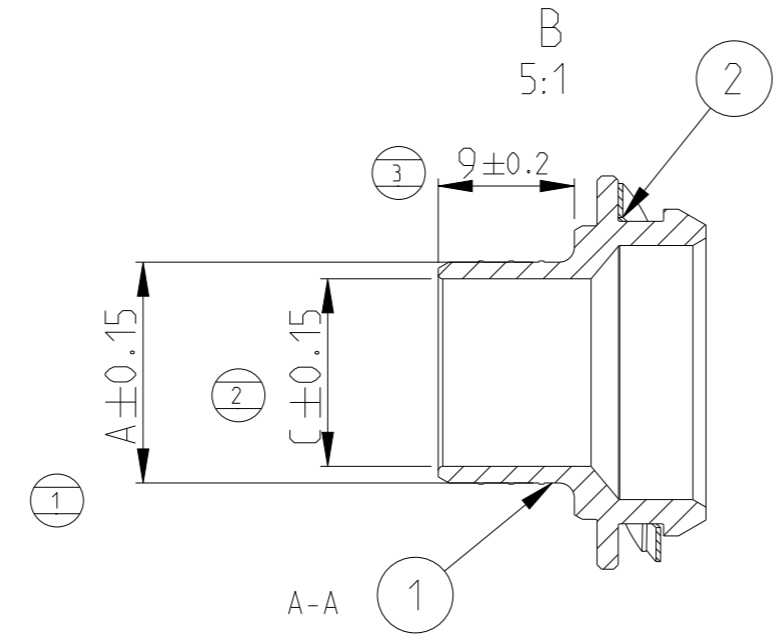
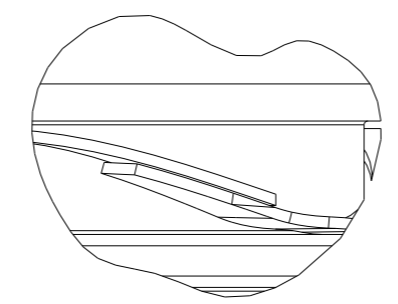
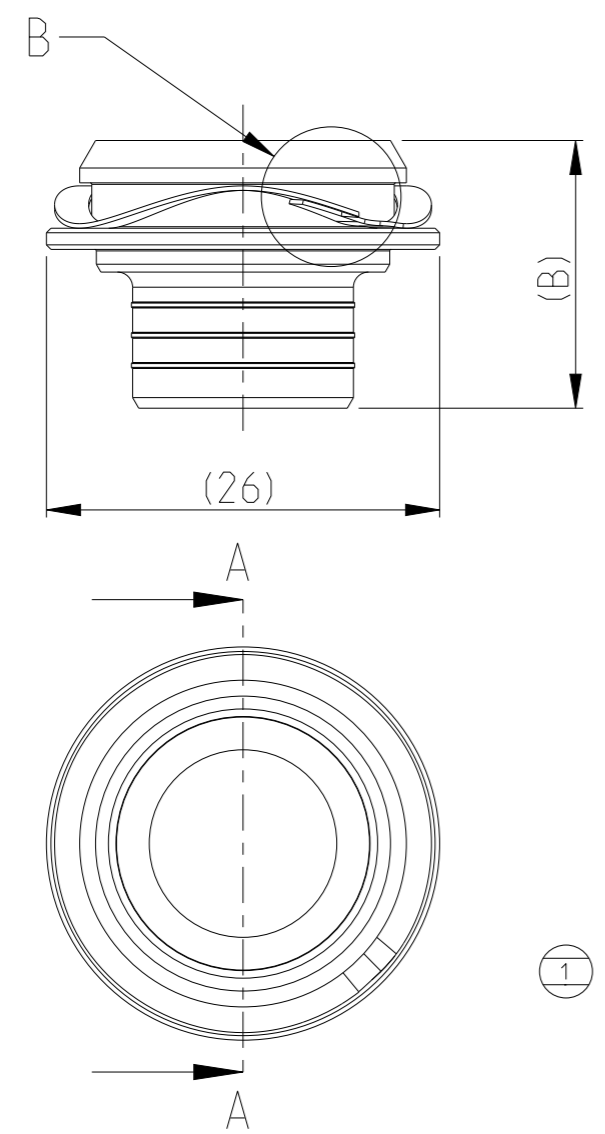
1

REVISIONS

P	LTR	DESCRIPTION	DATE	DWN	APVD
A4		ECN-23-193717	11JAN23	C.X	E.J
A5		ECN-23-202557	13MAR23	B.C	E.J
A7		ECN-23-225420	07AUG23	C.X	E.J
A8		ECN-24-251187	06FEB24	C.X	E.J

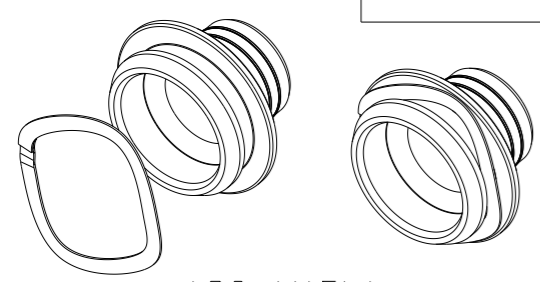
NOTES

- PACKING IN TRAY IN CARTON
- 2364825-1 CAN BE REPLACED BY P/N 2141809-3.
- SHIELDING CRIMPING APPLICATION ACCORDING TO ADDITIONAL SPECIFICATION 114-160062.
- ALL SURFACE SHOULD BE CLEAN, VISUAL POLLUTION IS NOT ALLOWED. NO CRACK OR DAMAGE INFLUENCED ON FUNCTION.
- MIN. 8 μm ELECTRODEPOSITED SILVER PLATED OVER Ni STRIKE UNDER Min. 2μm MATTE COPPER PLATING. PASSIVATED WITH ORGANIC DIOL.
- MIN. 1 μm NICKEL PLATING OVER COPPER PLATING.



QTY REQ PER ASSY.	2364825-1	2364825-2	2364825-3	2364825-4	1-2364825-1	DESCRIPTION	MATERIAL	SURFACE	ITEM
	1	1	1	1	1	PRESSURE SPRING CONTACT, SPRING	STAINLESS STEEL	Ag ⁵	2
	-	-	-	-	1	ADAPTER SHIELD BODY FOR 16-50MM ² WITH NI PLATING	Zn ALLOY	Ni ⁶	1
	-	-	-	1	-	ADAPTER SHIELD BODY FOR 70MM ² SHORT VERSION	Zn ALLOY	BLANK	1
	-	-	1	-	-	ADAPTER SHIELD BODY FOR 16-50MM ² SHORT VERSION	Zn ALLOY	BLANK	1
	-	1	-	-	-	ADAPTER SHIELD BODY FOR 70MM ²	Zn ALLOY	BLANK	1
	1	-	-	-	-	ADAPTER SHIELD BODY FOR 16-50MM ²	Zn ALLOY	BLANK	1
	2364825-1	2364825-2	2364825-3	2364825-4	1-2364825-1	DESCRIPTION	MATERIAL	SURFACE	ITEM

A8



ISO VIEW 1:1

-1 AS SHOWN

THIS DRAWING IS A CONTROLLED DOCUMENT. TOLERANCING ISO 8015

DIMENSIONS:	TOLERANCES UNLESS OTHERWISE SPECIFIED:
mm	
	0 PLC ± -
	1 PLC ± 0.5
	2 PLC ± 0.13
	3 PLC ± 0.013
	4 PLC ± 0.0001
	ANGLES ± -
MATERIAL	FINISH
-	-
-	-

DWN	C. ZHENG	17-JUN-20
CHK	E. JIANG	17-JUN-20
APVD	I. YIN	17-JUN-20
PRODUCT SPEC	-	-
APPLICATION SPEC	114-160062	-
WEIGHT	-	-
CUSTOMER DRAWING		



NAME CONTACT KIT BODY AND SPRING ASSY IPT			
SIZE	CAGE CODE	DRAWING NO	RESTRICTED TO
A3	00779	2364825	-
SCALE 2:1		SHEET 1 OF 1	REV A8