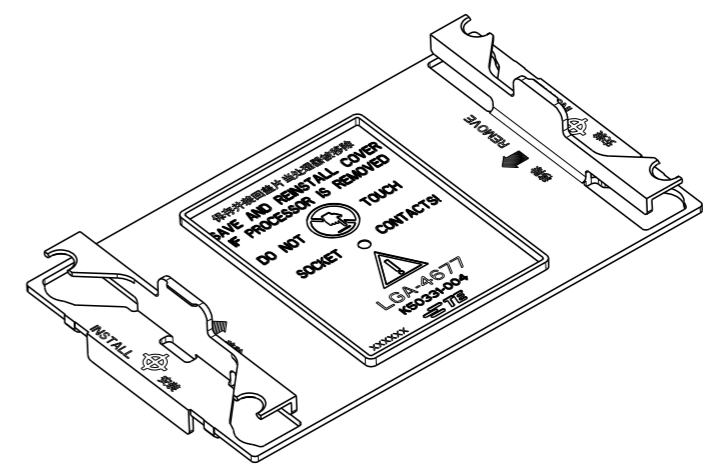
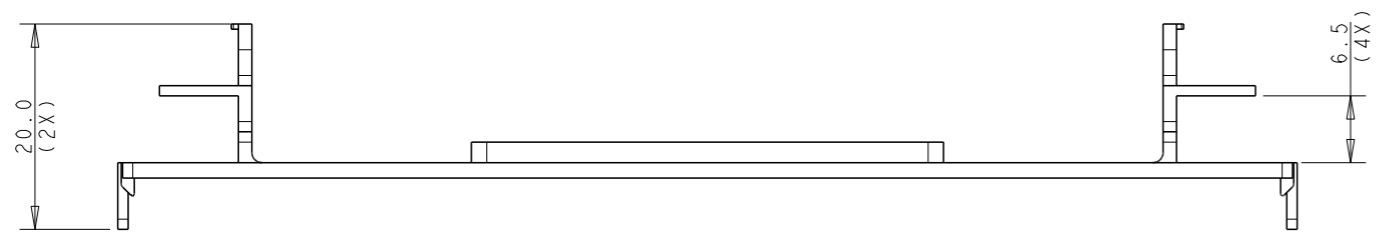
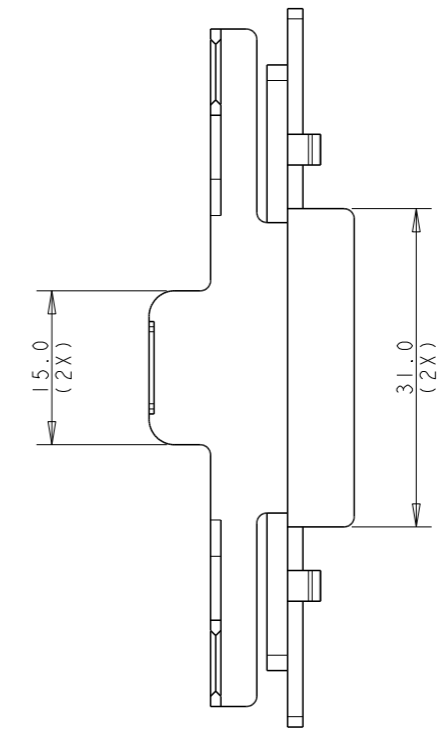
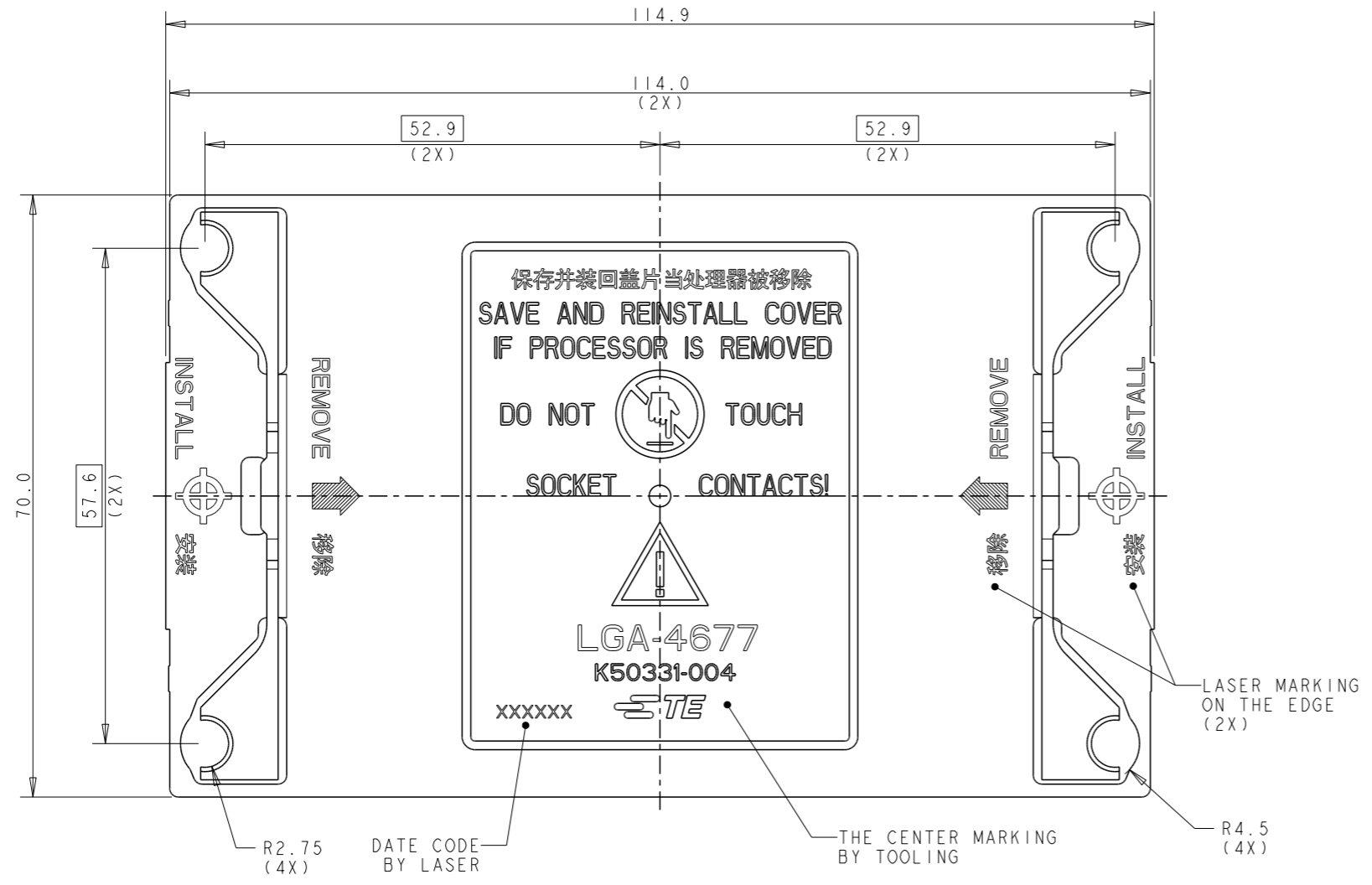


| REVISIONS | | | | |
|-----------|-----|-------------|---------|----------|
| P | LTR | DESCRIPTION | DATE | DWN APVD |
| | A2 | REVISED | 12APR24 | J.W S.L |

P/N 1-2351053-2/-4 AS SHOW



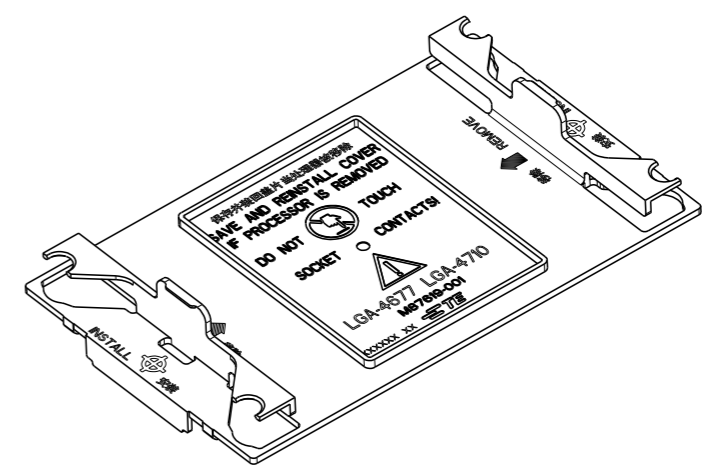
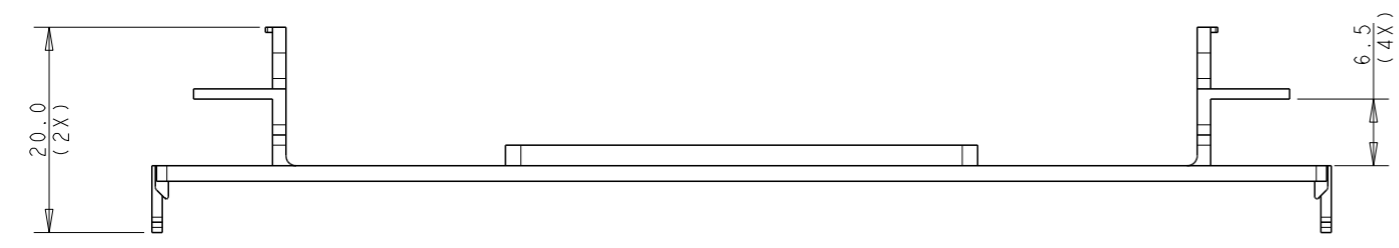
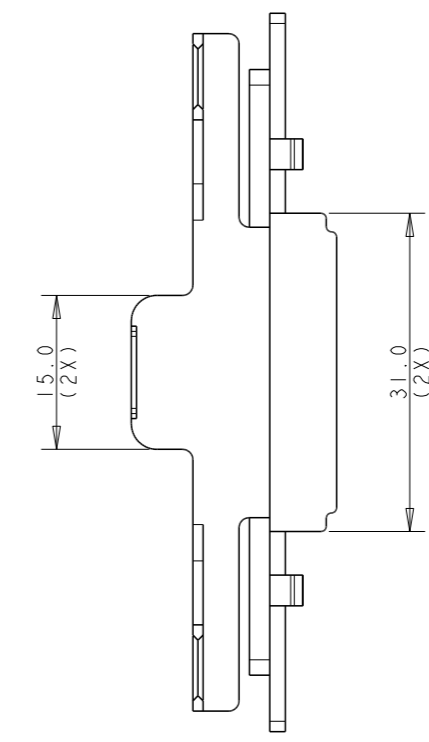
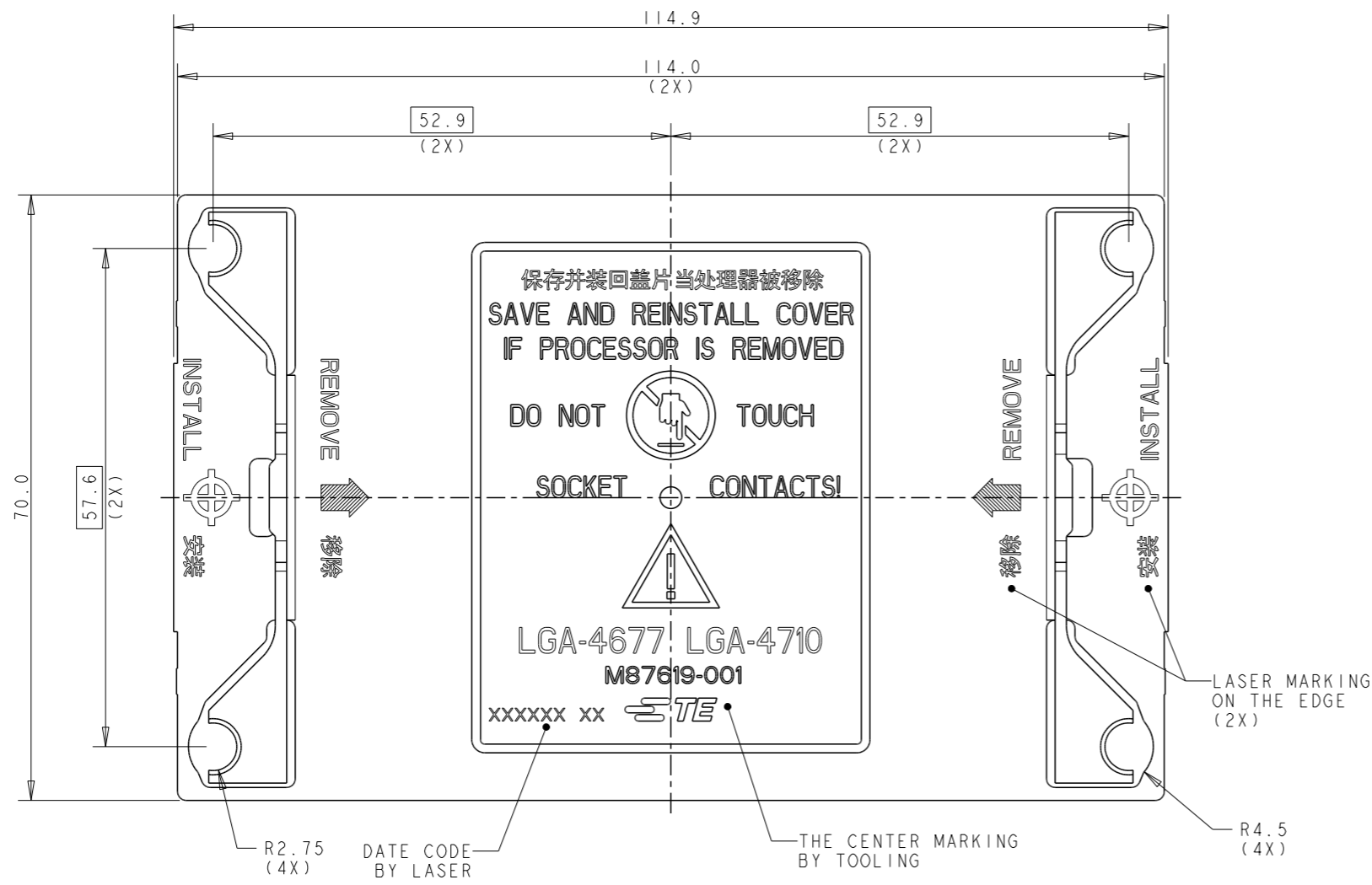
SCALE 1:1

- NOTE:
 1. MATERIAL:
 - TYPE: PC-ABS
 - COLOR: BLACK
 - UL94V-0
 2. THIS PRODUCT IS APPLICABLE FOR SOCKET E1 BOLSTER.

| | | | | |
|--|--|-------------------------|----------------------|--------------|
| THIS DRAWING IS A CONTROLLED DOCUMENT. | | DWN JEFF WANG 04DEC2019 | TE Connectivity | |
| DIMENSIONS: mm | | CHK BILL LV 04DEC2019 | | |
| TOLERANCES UNLESS OTHERWISE SPECIFIED: | | APVD SIMON LI 04DEC2019 | NAME SOCKET E1 | |
| 0 PLC ±0.3 | | PRODUCT SPEC | E1 SOCKET COVER | |
| 1 PLC ±0.3 | | APPLICATION SPEC | SIZE A2 | CAGE CODE - |
| 2 PLC ±0.3 | | WEIGHT | DRAWING NO ©=2351053 | |
| 3 PLC ± | | CUSTOMER DRAWING | SCALE 2:1 | SHEET 1 OF 3 |
| 4 PLC ± | | | | REV A2 |
| ANGLES ± | | | | |
| FINISH | | | | |

| REVISIONS | | | | |
|-----------|-----|-------------|------|----------|
| P | LTR | DESCRIPTION | DATE | DWN APVD |
| | | | | |

P/N 1-2351053-3/-5 AS SHOW



SCALE 1:1

- NOTE:
 1. MATERIAL:
 - TYPE: PC-ABS
 - COLOR: BLACK
 - UL94V-0
 2. THIS PRODUCT IS APPLICABLE FOR SOCKET E1/E2 BOLSTER.

| | | | | |
|---|--|-------------------------|------------------------------|---------------------|
| THIS DRAWING IS A CONTROLLED DOCUMENT. | | DWN JEFF WANG 04DEC2019 | TE Connectivity | |
| DIMENSIONS: mm | | CHK BILL LV 04DEC2019 | | |
| TOLERANCES UNLESS OTHERWISE SPECIFIED: | | APVD SIMON LI 04DEC2019 | NAME SOCKET E1/E2 | |
| 0 PLC ±0.3 1 PLC ±0.3 2 PLC ±0.3 3 PLC ±. 4 PLC ±. ANGLES ±3 FINISH - | | PRODUCT SPEC | E1/E2 UNIVERSAL SOCKET COVER | |
| MATERIAL | | APPLICATION SPEC | SIZE A2 | CAGE CODE - |
| | | WEIGHT | DRAWING NO. ©=2351053 | RESTRICTED TO - |
| | | CUSTOMER DRAWING | SCALE 2:1 | SHEET 2 OF 3 REV A2 |

4

3

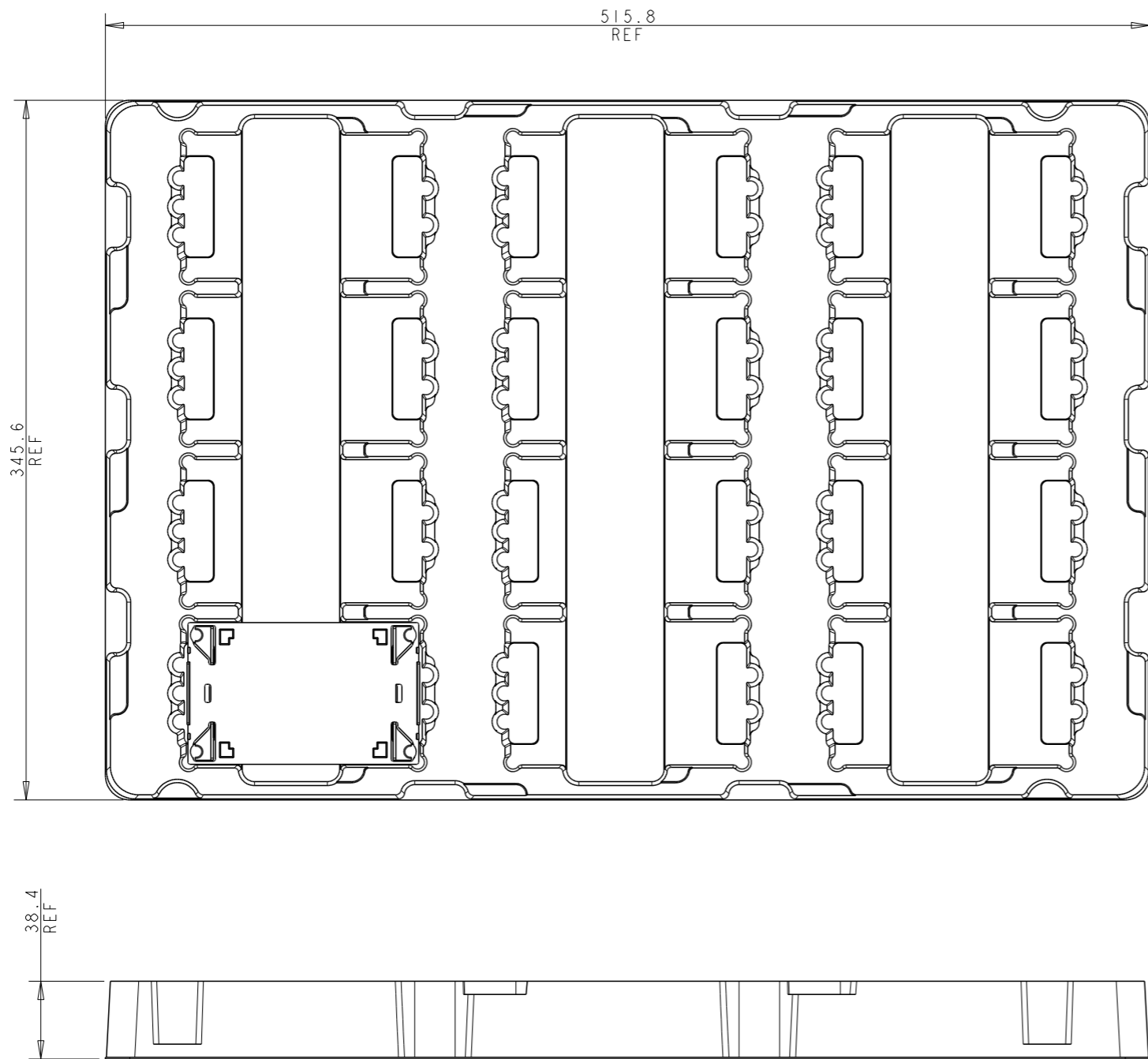
2

1

THIS DRAWING IS UNPUBLISHED. RELEASED FOR PUBLICATION
 © COPYRIGHT - BY - ALL RIGHTS RESERVED.

| REVISIONS | | | | |
|-----------|-----|-------------|------|------|
| P | LTR | DESCRIPTION | DATE | APVD |
| | | | | |

P/N 1-2351053-X PACKING AS SHOW



NOTE: PN 1-2351053-X, 24PCS/TRAY, 240PCS/BOX

printed on 25 Apr 2024 09:19 (China Standard Time) from M4032745

| | | | | |
|---|--|----------------------------------|--|--------------------|
| THIS DRAWING IS A CONTROLLED DOCUMENT. | | DWN JEFF WANG 04DEC2019 | STE TE Connectivity | |
| DIMENSIONS: mm | | CHK BILL LV 04DEC2019 | | |
| TOLERANCES UNLESS OTHERWISE SPECIFIED: 0 PLC ±0.3 1 PLC ±0.3 2 PLC ±0.3 3 PLC ±. 4 PLC ±. ANGLES ±. FINISH | | APVD SIMON LI 04DEC2019 | NAME SOCKET E1/E2 E1/E2 SOCKET COVER | |
| MATERIAL | | PRODUCT SPEC APPLICATION SPEC | SIZE A2 | CAGE CODE - |
| | | WEIGHT - | DRAWING NO C=2351053 | RESTRICTED TO - |
| | | CUSTOMER DRAWING | SCALE 2:1 | SHEET 3 OF 3 |
| | | | REV A2 | |