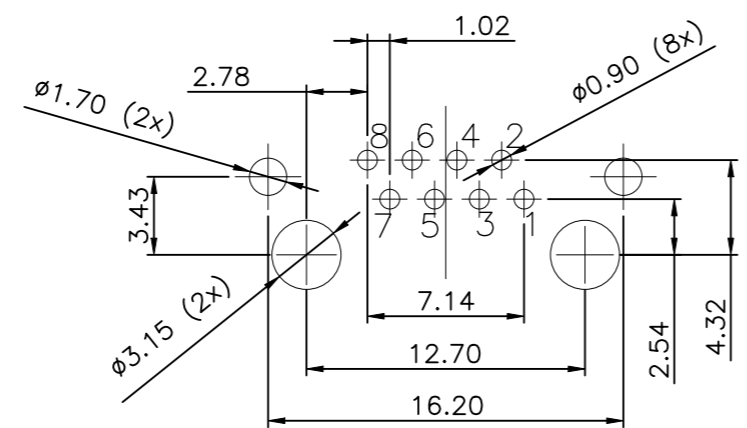
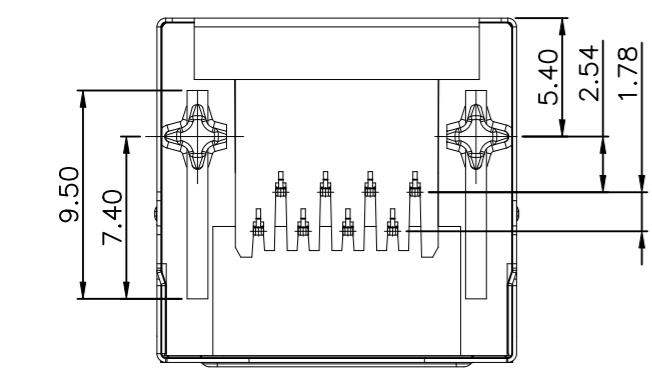
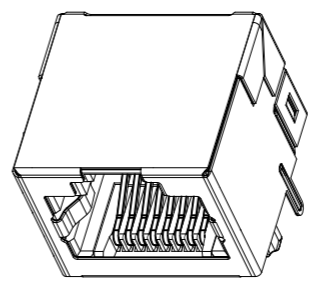
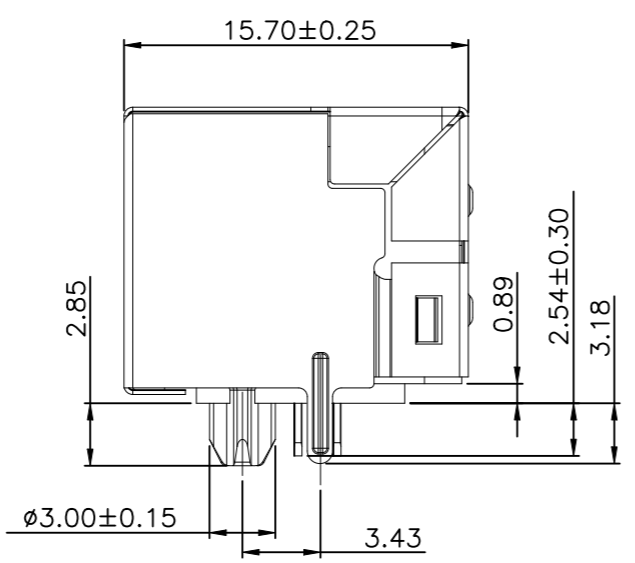
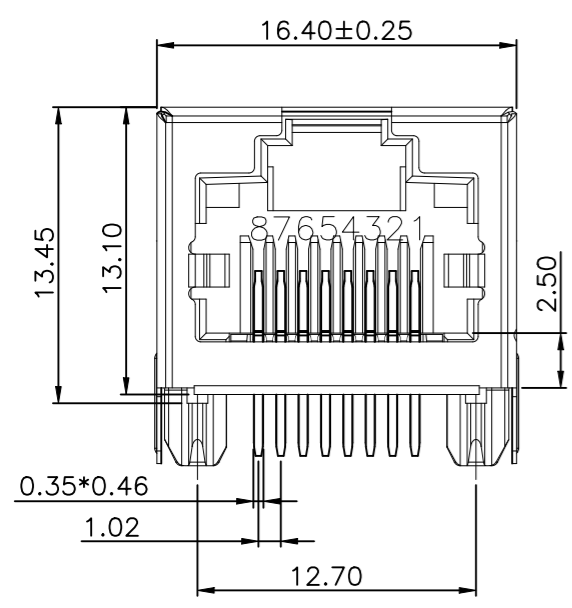
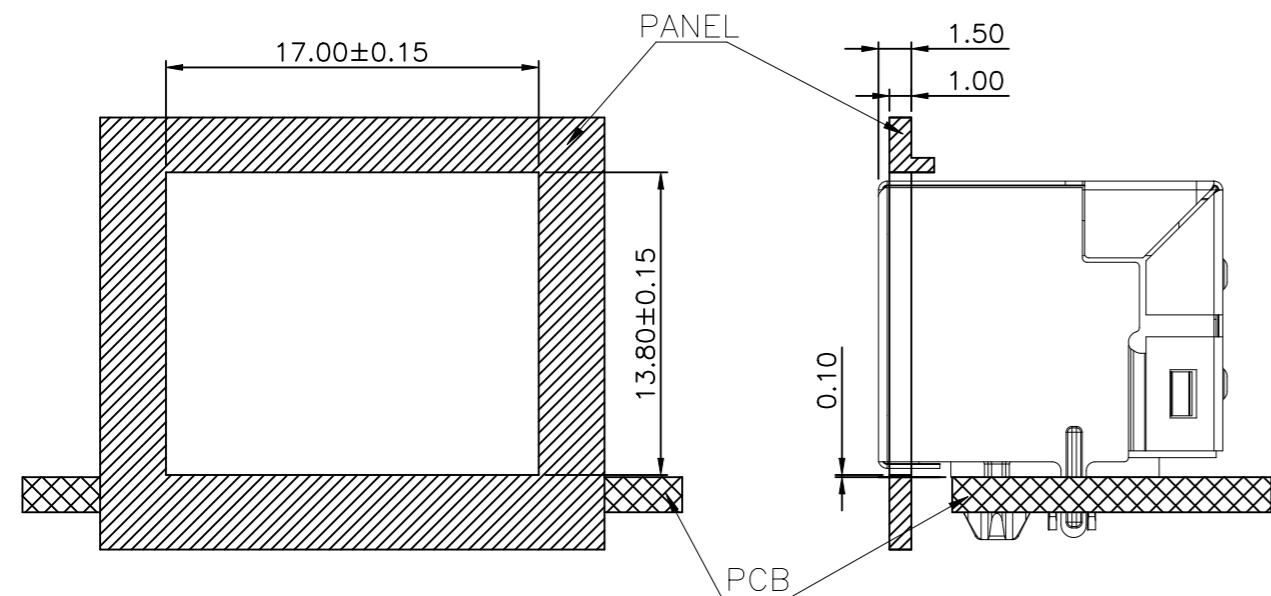


REVISIONS					
P	LTR	DESCRIPTION	DATE	DWN	APVD
	A1	NEW DRAWING	07NOV2023	ASB	LET



RECOMMENDED PCB LAYOUT TOP VIEW
COMPONENT SIDE TOLERANCE ±0.05

- 1. CONNECTOR MATERIAL:
HOUSING: LCP BLACK UL94V-0
SHIELD: COPPER ALLOY, THICKNESS 0.2mm
SHIELD PLATING: NICKEL
CONTACT: PHOSPHOR BRONZE
CONTACT PLATING: SELECTIVE GOLD 30µinch OVER NICKEL
80µinch MIN. MATTE-TIN ON SOLDER TAIL.
- 2. THE PART IS RECOMMENDED FOR REFLOW SOLDERING PROCESS
- 3. RJ45 CAVITY DIMENSION CONFORM TO FCC PART 68
- 4. PACKAGING: REEL (T+R) ACCORDING TO PACKAGING SPECIFICATION
107-18116
- 5. PROP 65 WARNING LABEL: SEE SHEET 2



RECOMMENDED PANEL CUTOUT

THIS DRAWING IS A CONTROLLED DOCUMENT.		DWN	07NOV2023		STE TE Connectivity						
		B S ADRUSH									
		CHK	09NOV2023		NAME						
		N MANTIKOU									
		APVD	09NOV2023		RJ45 JACK THT 1Gb R/A 1X1						
		T LEININGER									
DIMENSIONS: mm		TOLERANCES UNLESS OTHERWISE SPECIFIED:		PRODUCT SPEC							
		0 PLC	± -		108-94945						
		1 PLC	± 0.35		APPLICATION SPEC						
		2 PLC	± 0.25		114-97854						
		3 PLC	± 0.15		SIZE	CAGE CODE	DRAWING NO	RESTRICTED TO			
		4 PLC	± -		114-97854	A3	00779	C-2501550-1	-		
MATERIAL		FINISH		WEIGHT		SCALE		SHEET		REV	
-1		-1		3.60g		NTS		1 OF 2		A1	
CUSTOMER DRAWING						SCALE NTS SHEET 1 OF 2 REV A1					


REVISIONS

P	LTR	DESCRIPTION	DATE	DWN	APVD
-	-	SEE SHEET 1	-	-	-


NOTES: CONTINUATION FROM SHEET 1:

5 PROP 65 WARNING LABEL:

- THE WARNING LABEL ON THE PRODUCT OR LOWEST LEVEL PACKAGING
- CHEMICAL NAME: NICKEL (METALLIC)



WARNING: This product can expose you to chemicals including NICKEL (METALLIC) which is known to the state of California to cause cancer. For more information, visit www.P65Warnings.ca.gov.

THIS DRAWING IS A CONTROLLED DOCUMENT.		DWN B S ADRUSH 07NOV2023	 TE Connectivity		
DIMENSIONS: mm		CHK N MANTIKOU 09NOV2023			
TOLERANCES UNLESS OTHERWISE SPECIFIED:		APVD T LEININGER 09NOV2023	NAME RJ45 JACK THT 1Gb R/A 1X1		
0 PLC ± -		PRODUCT SPEC 108-94945	-		
1 PLC ± 0.35		APPLICATION SPEC 114-97854	SIZE A3	CAGE CODE 00779	DRAWING NO C-2501550-1
2 PLC ± 0.25		WEIGHT 3.60g	RESTRICTED TO -		
3 PLC ± 0.15		CUSTOMER DRAWING			
4 PLC ± -		SCALE NTS		SHEET 2 OF 2	REV A1
ANGLES ± 2°					
MATERIAL 1	FINISH 1				