

### Features

- Low operating voltage: 18V
- Ultra low capacitance: 40pF
- Ultra low leakage: nA level
- Low clamping voltage
- -IEC 61000-4-2 (ESD) immunity test
  - Air discharge:  $\pm 30\text{kV}$
  - Contact discharge:  $\pm 30\text{kV}$
- -IEC61000-4-4 (EFT) 40A (5/50ns)
- 2-pin leadless package
- These are Pb-Free Devices
- Response Time is Typically  $< 1\text{ ns}$

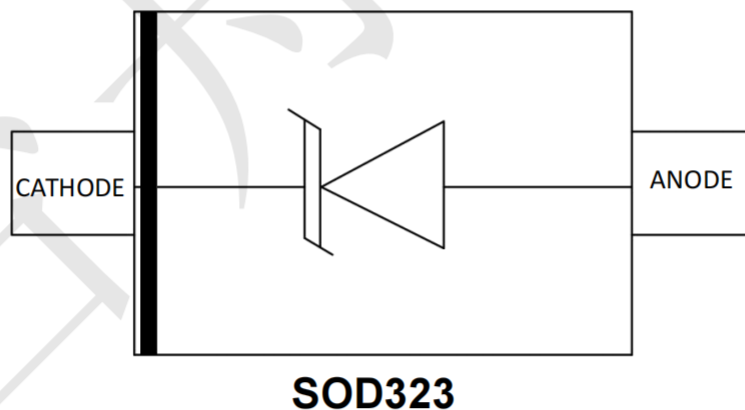
### Mechanical Characteristics

- Package: SOD323(0805)
- Lead Finish: Matte Tin
- Case Material: "Green" Molding Compound
- Terminal Connections: See Diagram Below
- -IEC 61000-4-2 (ESD) immunity test

### Applications

- Cellular Handsets and Accessories
- Personal Digital Assistants
- Notebooks and Handhelds
- Portable Instrumentation
- Peripherals

### Dimensions and Pin Configuration



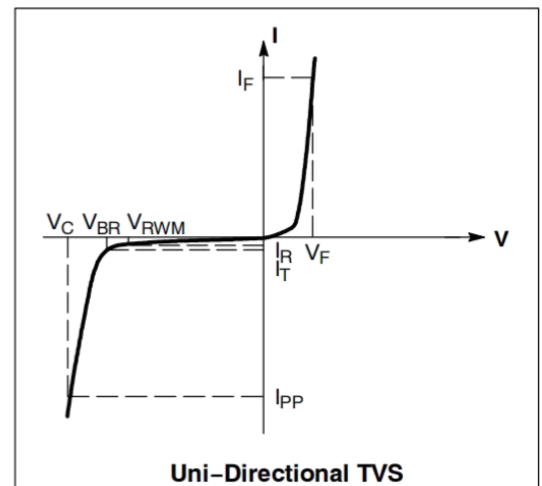
### Absolute Maximum Ratings (T<sub>amb</sub>=25°C unless otherwise specified)

Parameter	Symbol	Value	Unit
Peak Pulse Power (8/20μs)	P <sub>pk</sub>	220	W
Peak Pulse Current (8/20μs)	I <sub>pp</sub>	6	A
ESD per IEC 61000-4-2 (Air) ESD per IEC 61000-4-2 (Contact)	VESD	±30 ±30	KV
Operating Temperature Range	T <sub>J</sub>	-55 to +125	°C
Storage Temperature Range	T <sub>stg</sub>	-55 to +150	°C

### Electrical Characteristics (T<sub>A</sub>=25°C unless otherwise specified)

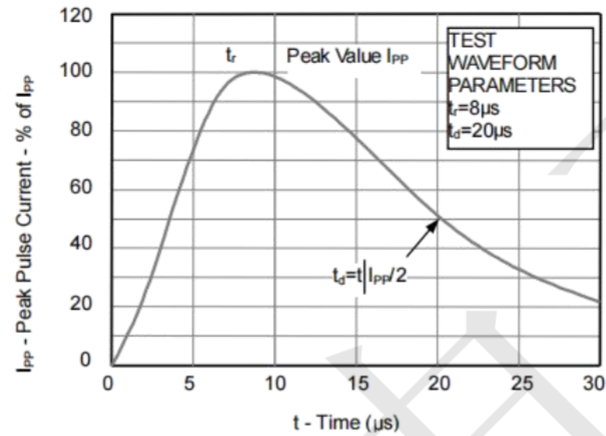
Parameter	Symbol	Min	Typ	Max	Unit	Test Condition
Reverse Working Voltage	V <sub>RWM</sub>	--	--	18	V	
Breakdown Voltage	V <sub>BR</sub>	20	--	24	V	I <sub>T</sub> = 1mA
Reverse Leakage Current	I <sub>R</sub>	--	--	0.1	uA	V <sub>RWM</sub> =18V
Forward voltage	V <sub>F</sub>	--	0.8	1.2	V	I <sub>F</sub> =1mA
Clamping Voltage	V <sub>C</sub>	--	30	--	V	I <sub>pp</sub> =1A(8x 20us pulse)
Clamping Voltage	V <sub>C</sub>	--	--	35	V	I <sub>pp</sub> =6A(8x 20us pulse)
Junction Capacitance	C <sub>J</sub>	--	--	40	pF	V <sub>R</sub> = 0V, f = 1MHz

Symbol	Parameter
I <sub>PP</sub>	Maximum Reverse Peak Pulse Current
V <sub>C</sub>	Clamping Voltage @ I <sub>PP</sub>
V <sub>RWM</sub>	Working Peak Reverse Voltage
I <sub>R</sub>	Maximum Reverse Leakage Current @ V <sub>RWM</sub>
V <sub>BR</sub>	Breakdown Voltage @ I <sub>T</sub>
I <sub>T</sub>	Test Current
I <sub>F</sub>	Forward Current
V <sub>F</sub>	Forward Voltage @ I <sub>F</sub>
P <sub>pk</sub>	Peak Power Dissipation
C	Capacitance @ V <sub>R</sub> = 0 and f = 1.0 MHz

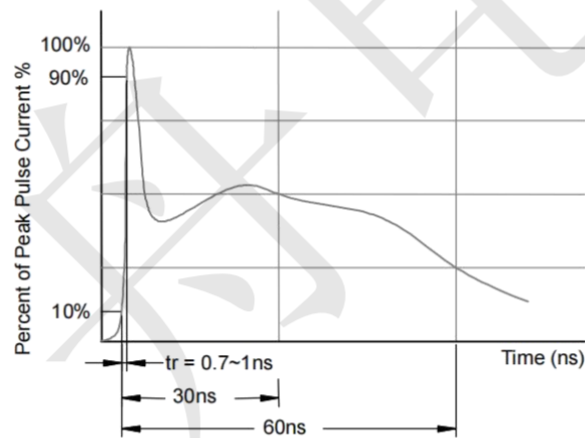


### Characteristic Curves

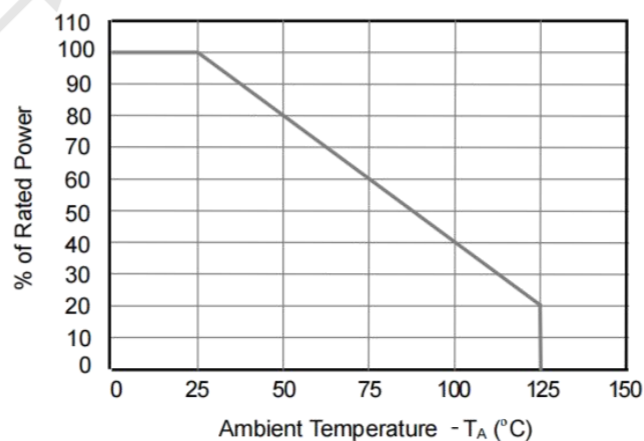
**Fig1. 8/20 $\mu$ s Pulse Waveform**



**Fig2. ESD Pulse Waveform (according to IEC 61000-4-2)**

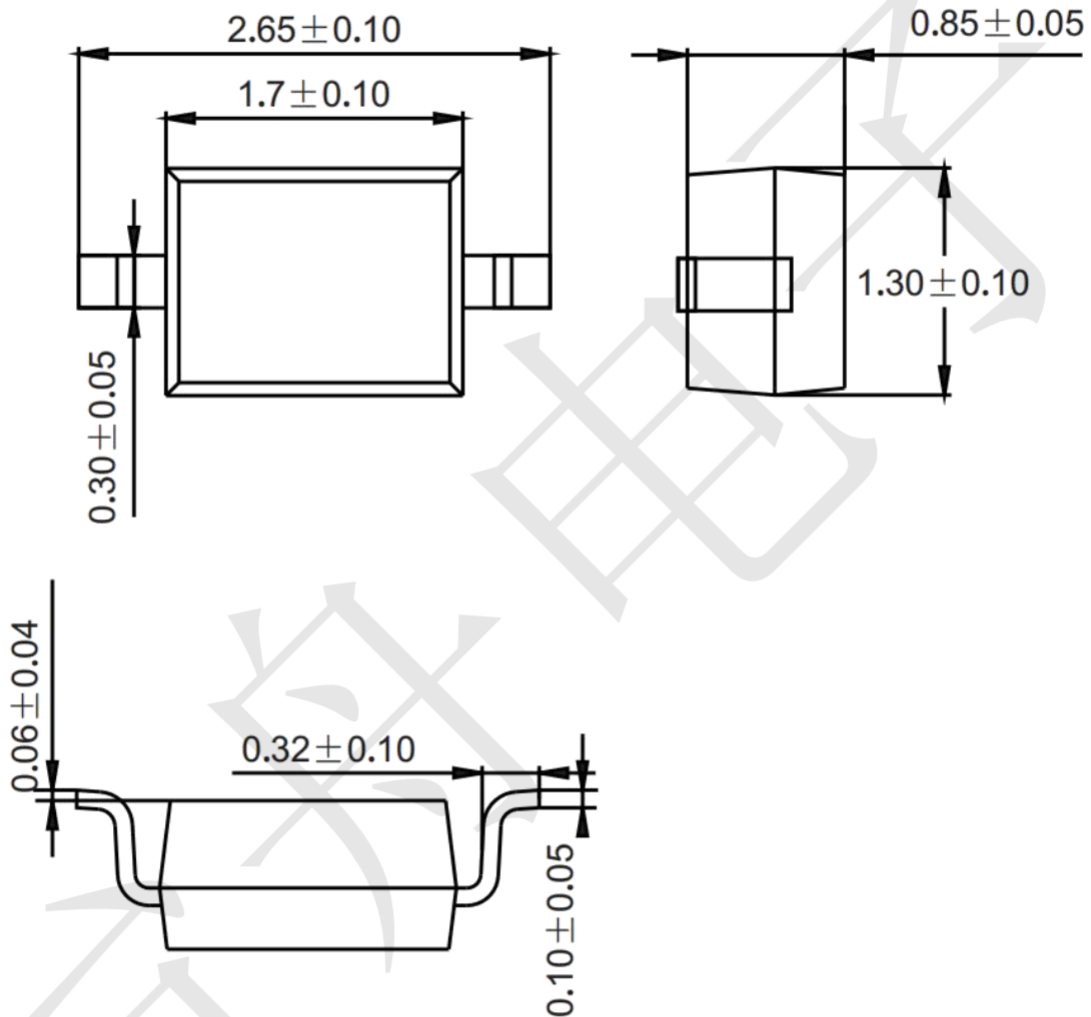


**Fig3. Power Derating Curve**



**Package Outline Dimensions (unit: mm)**

**SOD323 (0805)**



**Mounting Pad Layout (unit: mm)**

