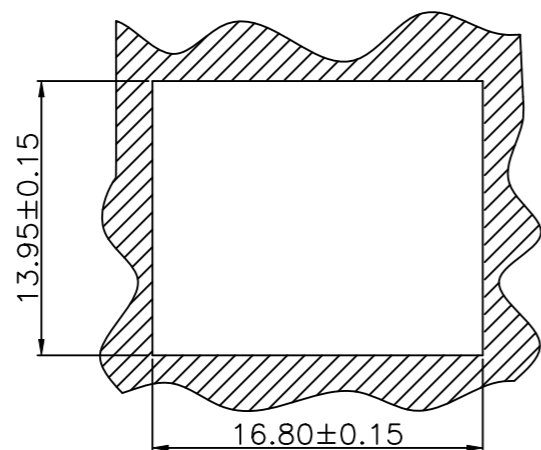
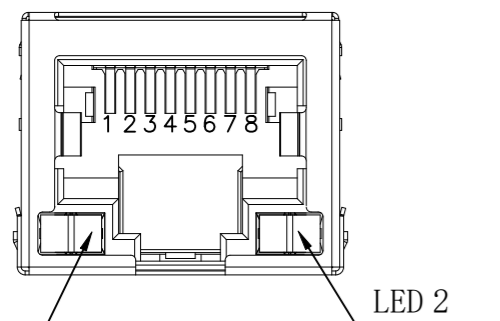
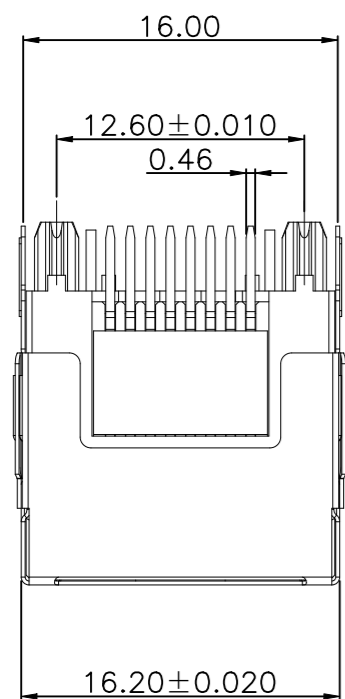
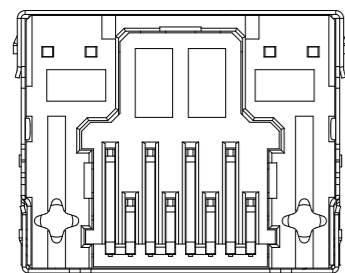
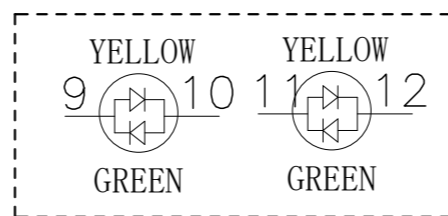


REVISIONS					
P	LTR	DESCRIPTION	DATE	DWN	APVD
	A2	REVISED PER ECR-25-263617	28NOV2025	HS	SK



RECOMMENDED PANEL CUT OUT

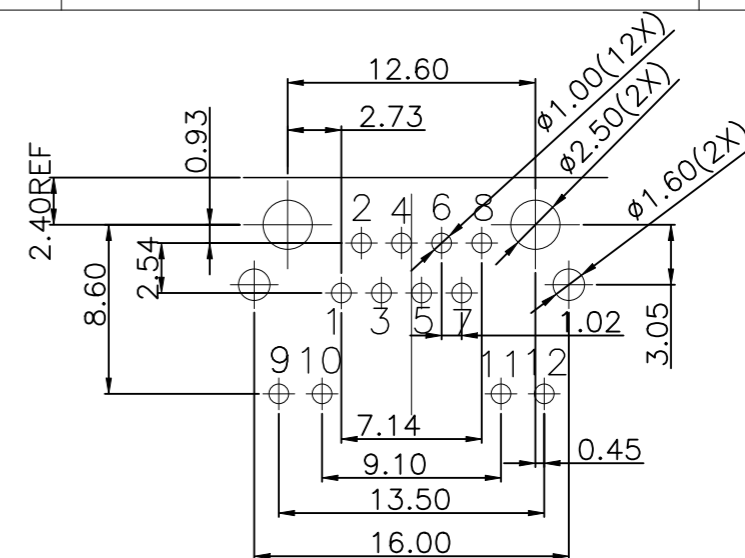


LED PIN DEFINE

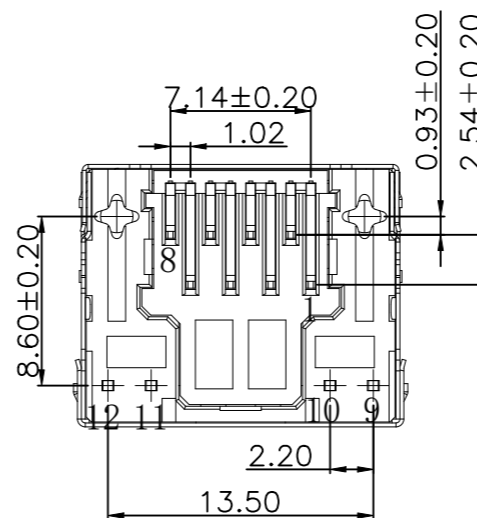
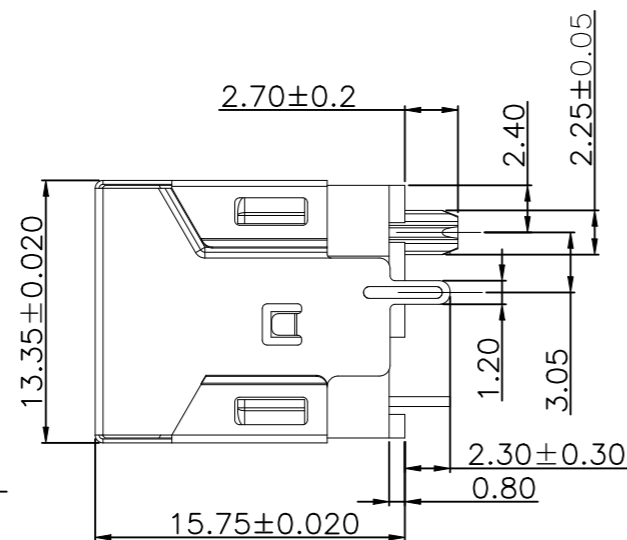
LED SPECIFICATION		
LED	WAVE LENGTH (nm)	
LED1	YELLOW	585~590nm
LED2	GREEN	568~573nm

FORWARD VOLTAGE: VF=1.8-2.4V

FORWARD CURRENT: IF=20mA



RECOMMENDED P.C.B LAYOUT TOP VIEW  
T=1.6 (COMPONENT SIDE TOLERANCE ±0.05)



- 1 CONNECTOR MATERIAL:  
HOUSING: LCP BLACK UL94V-0  
INSERT: LCP BLACK UL94V-0  
SHIELD: COPPER ALLOY  
SHIELD PLATING: NICKEL  
CONTACT: PHOSPHOR BRONZE  
CONTACT PLATING: 30μinch GOLD PLATING ON CONTACT AREA.  
50μinch MIN. NICKEL UNDERPLATED OVER ALL.  
80μinch MIN. MATTE-TIN ON SOLDER TAIL.

- LED1: GREEN/YELLOW
- LED2: GREEN/YELLOW
- 2. RJ45 CAVITY DIMENSION CONFORM TO FCC PART 68.
- 3. PACKAGING: TRAY ACCORDING TO PACKAGING SPECIFICATION 107-18116

- 4 PROP 65 WARNING LABEL: SEE SHEET 2

THIS DRAWING IS A CONTROLLED DOCUMENT.		DWN B S ADRUSH 13NOV2023	TE Connectivity Ltd.					
DIMENSIONS: mm		CHK N MANTIKOU 15NOV2023						
TOLERANCES UNLESS OTHERWISE SPECIFIED:		APVD T LEININGER 15NOV2023	NAME RJ45 JACK THT 1Gb VERT. LED 1X1					
0 PLC ± - 1 PLC ± 0.35 2 PLC ± 0.25 3 PLC ± 0.15 4 PLC ± - ANGLES ± 2°		PRODUCT SPEC 108-94945	-					
MATERIAL		APPLICATION SPEC 114-97854	SIZE A3	CAGE CODE 00779	DRAWING NO C-2501551-4	RESTRICTED TO -		
FINISH		WEIGHT 4.027g	CUSTOMER DRAWING			SCALE NTS	SHEET 1 OF 2	REV A2

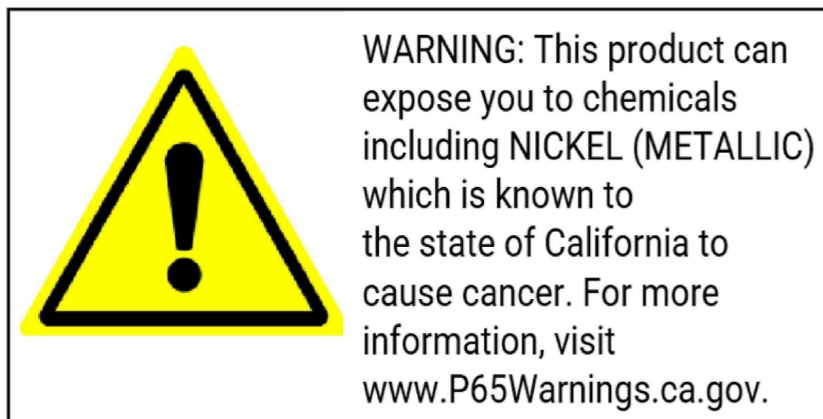
REVISIONS


P	LTR	DESCRIPTION	DATE	DWN	APVD
-	-	SEE SHEET 1	-	-	-

NOTES: CONTINUATION FROM SHEET 1:

4 PROP 65 WARNING LABEL:

- THE WARNING LABEL ON THE PRODUCT OR LOWEST LEVEL PACKAGING
- CHEMICAL NAME: NICKEL (METALLIC)



THIS DRAWING IS A CONTROLLED DOCUMENT.		DWN B S ADRUSH 13NOV2023	 TE Connectivity Ltd.			
DIMENSIONS: mm		CHK N MANTIKOU 15NOV2023				
TOLERANCES UNLESS OTHERWISE SPECIFIED:		APVD T LEININGER 15NOV2023	NAME RJ45 JACK THT 1Gb VERT. LED 1X1			
0 PLC ± - 1 PLC ± 0.35 2 PLC ± 0.25 3 PLC ± 0.15 4 PLC ± - ANGLES ± 2°		PRODUCT SPEC 108-94945	-			
MATERIAL		APPLICATION SPEC 114-97854	SIZE	CAGE CODE	DRAWING NO	RESTRICTED TO
FINISH		WEIGHT 4.027g	A3	00779	C-2501551-4	-
1		CUSTOMER DRAWING		SCALE NTS	SHEET 2 OF 2	REV A2