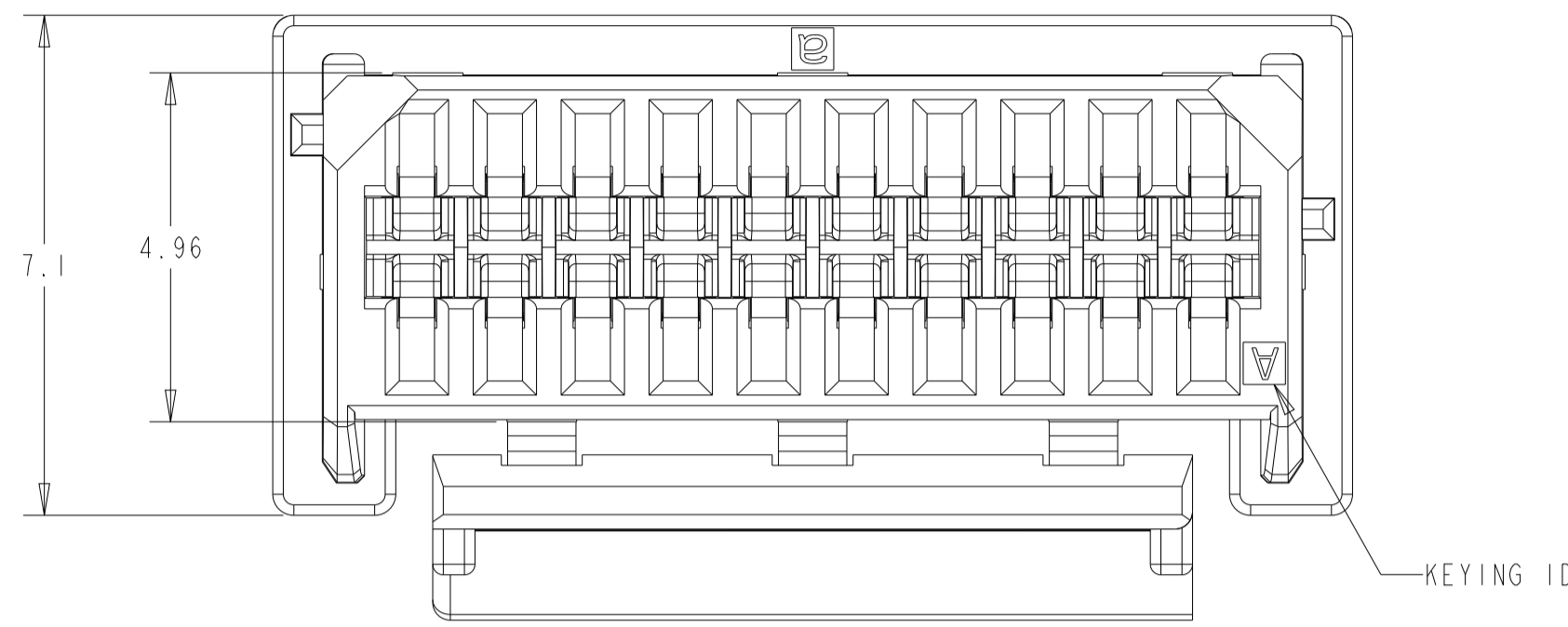
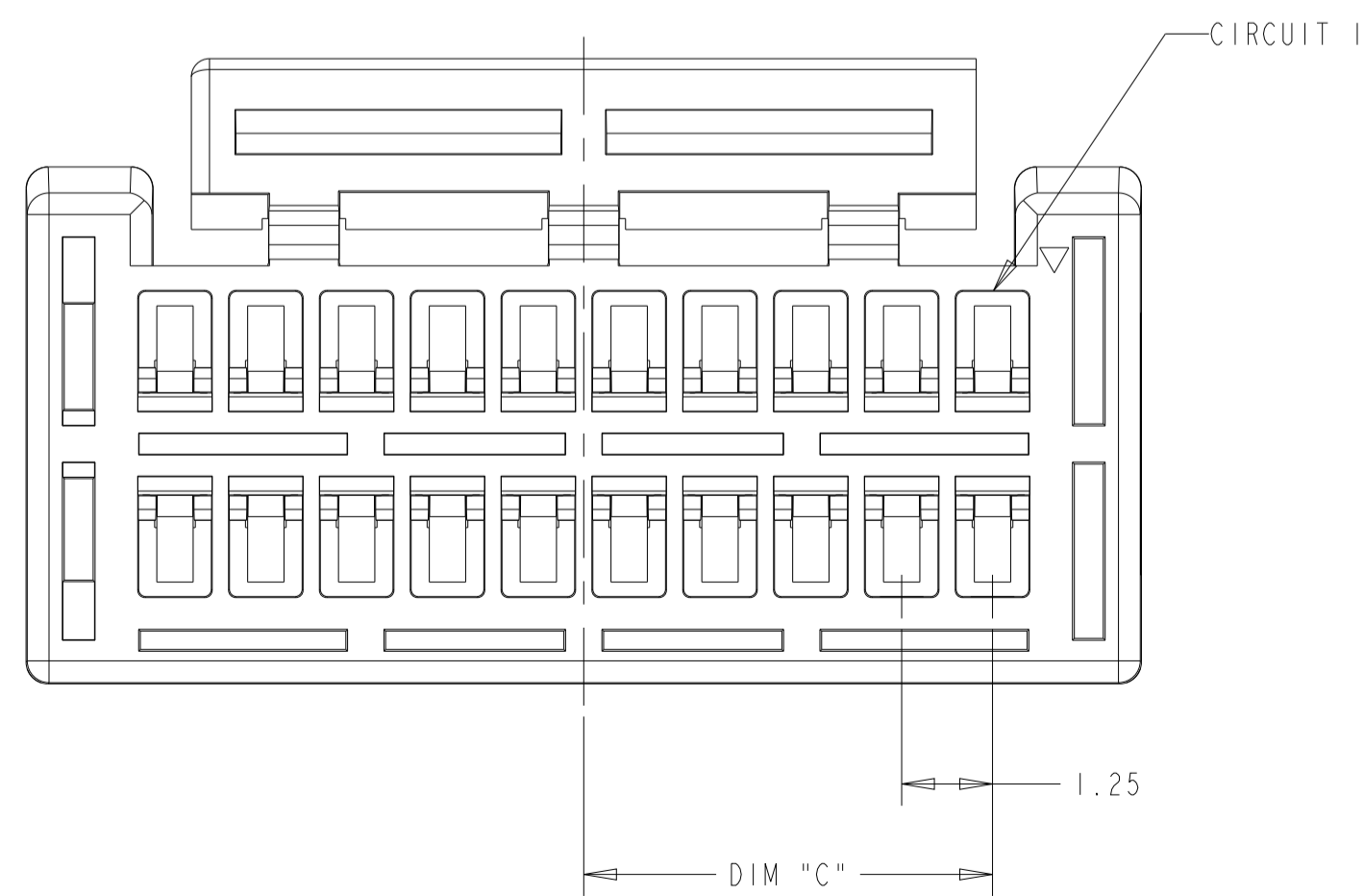
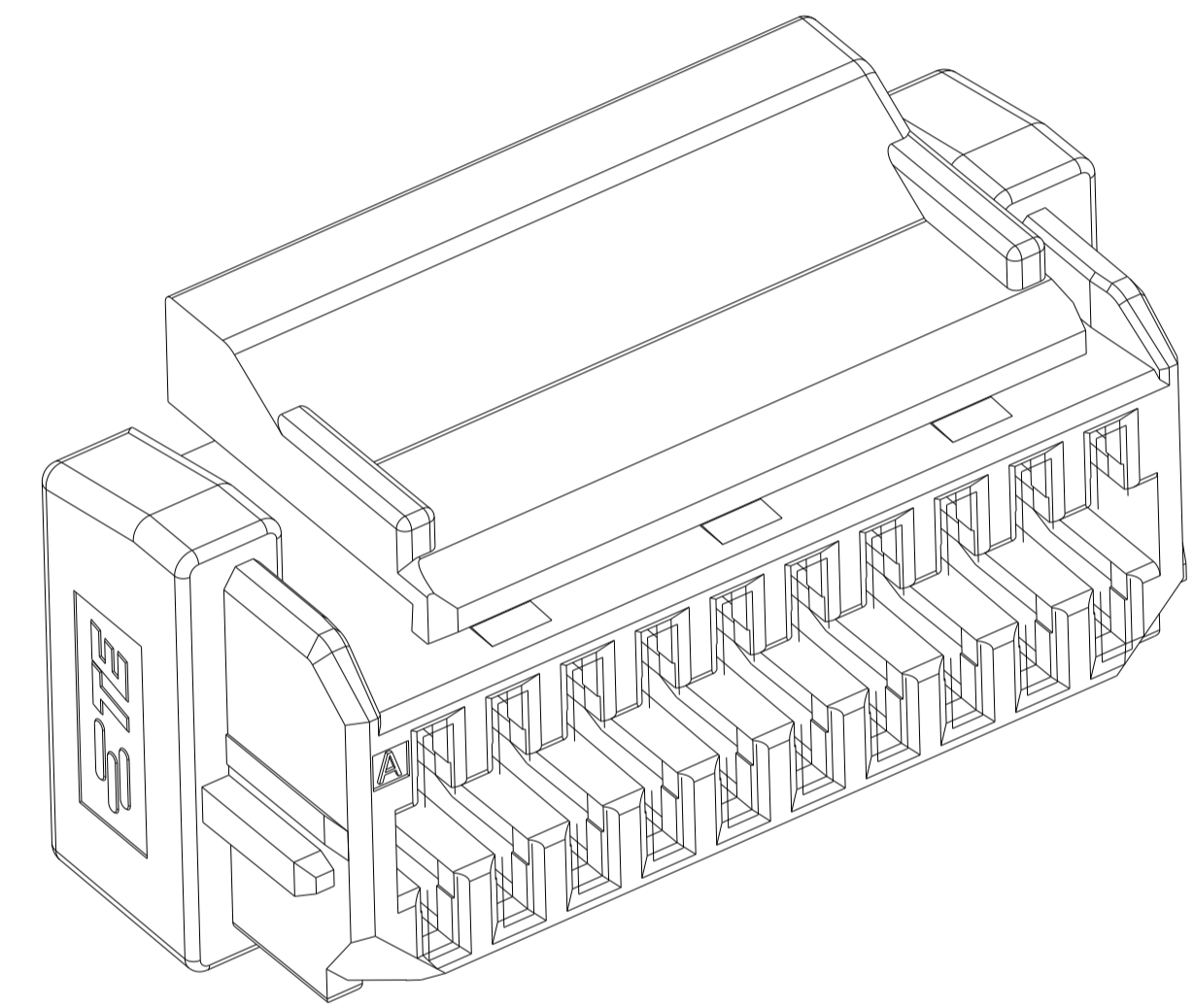
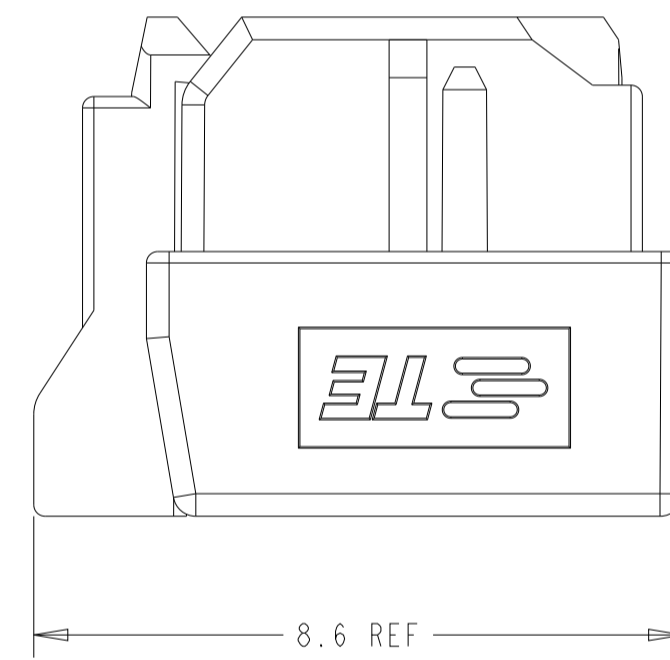
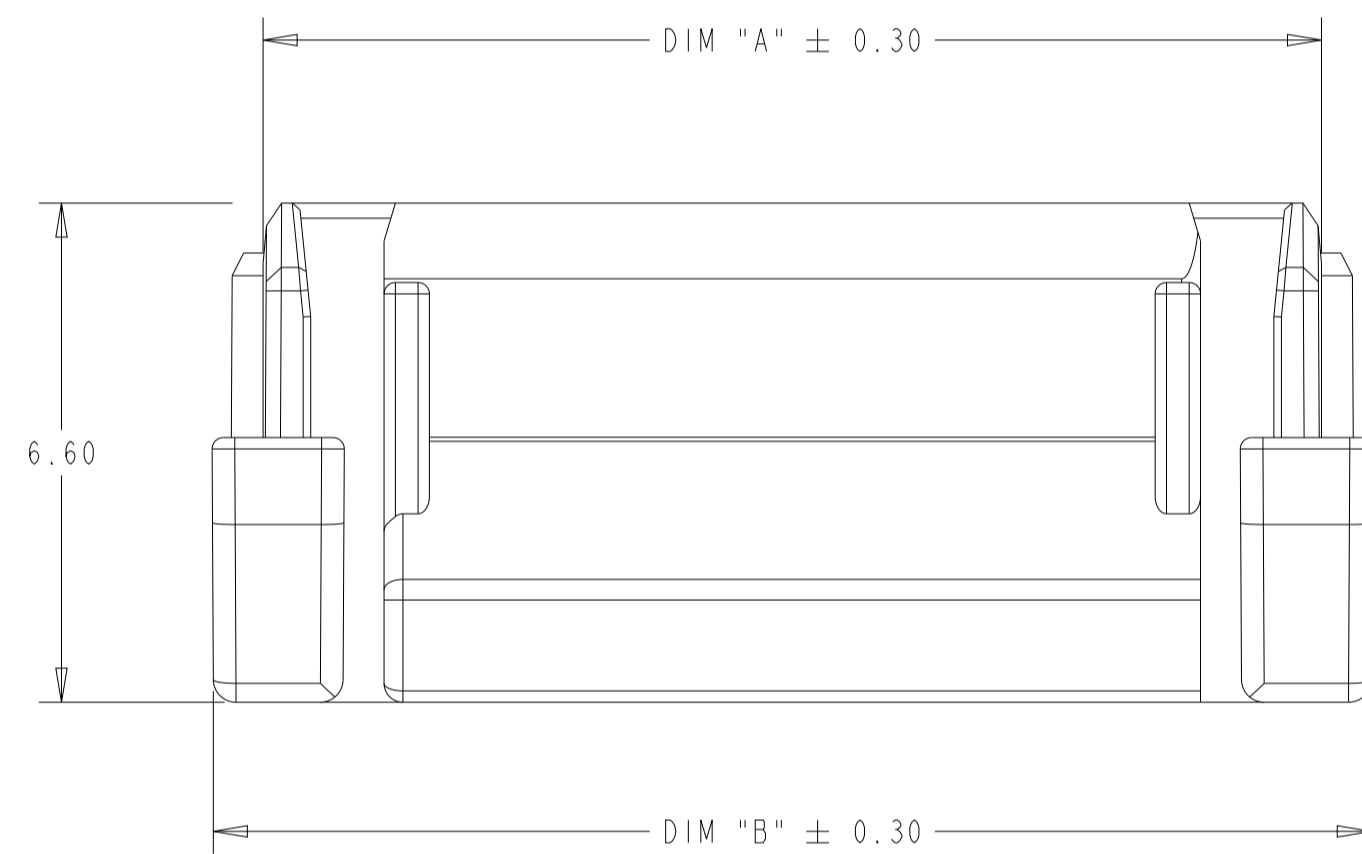


KEYING A SHOWN FOR 20 POSITION

REVISIONS				
P	LTN	DESCRIPTION	DATE	APVD
A		PRODUCTION RELEASE PER ECN-23-218419	25JUN2023	N. H. L. C.
A1		REVISED PER ECR-24-197900	29JAN2024	N. H. L. C.
A2		REVISED PER ECR-25-233009	28NOV2025	N. H. J. H.



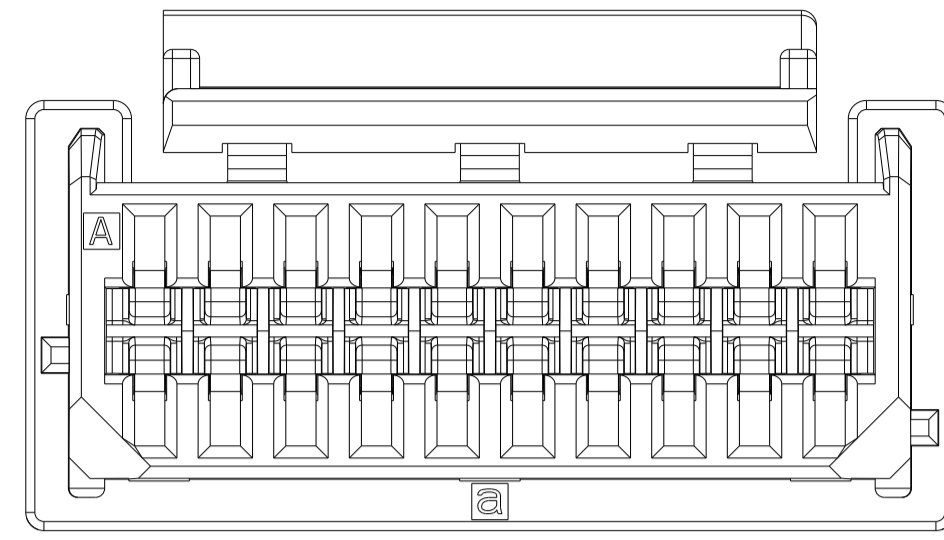
- 1. MATERIAL: NYLON, UL94V-0, COLOR: SEE TABLE IN PAGE 2
- 2. THIS HOUSING ACCEPTS TERMINAL: 2454997-1
- 3. RECOMMENDED MATING PART: SEE TABLE IN PAGE 2
- 4. DIMENSIONS SHOWN REPRESENT PRODUCT IN DRY, AS MOLDED, CONDITION



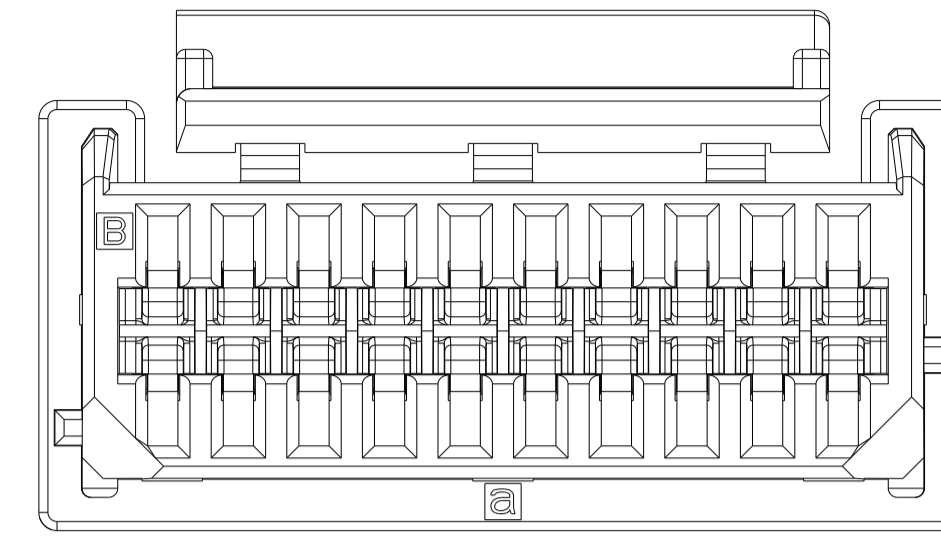
THIS DRAWING IS A CONTROLLED DOCUMENT.		DWN: BASAVARAJA D R 31 JUL 2020 CHK: CHEN LEO 31 JUL 2020	TE Connectivity	
DIMENSIONS: mm TOLERANCES UNLESS OTHERWISE SPECIFIED: 0 PLC ± 1 PLC ±0.30 2 PLC ±0.15 3 PLC ± 4 PLC ± ANGLES ± FINISH ±		APVD: CHEN LEO 31 JUL 2020 PRODUCT SPEC: 108-106451 APPLICATION SPEC: 114-106497	NAME: PLUG HOUSING, DUAL ROW, SGI 1.25 SIZE: A CAGE CODE: 00779 DRAWING NO: 2456588	
MATERIAL:		WEIGHT: -	RESTRICTED TO: - SCALE: 10:1 SHEET: 1 OF 2 REV: A2	
CUSTOMER DRAWING				

KEYING ILLUSTRATION

REVISIONS				
P	LTN	DESCRIPTION	DATE	APVD
-		SEE SHEET 1	-	-



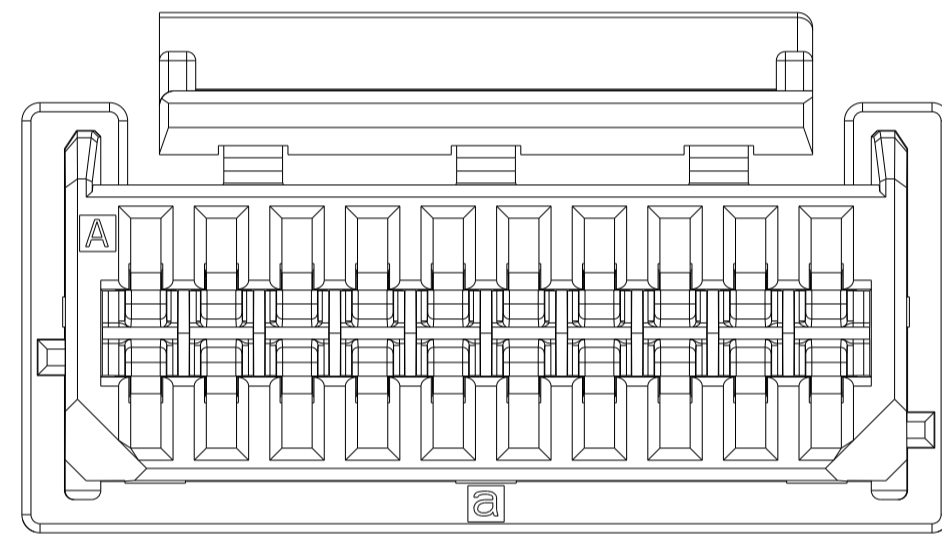
KEY A



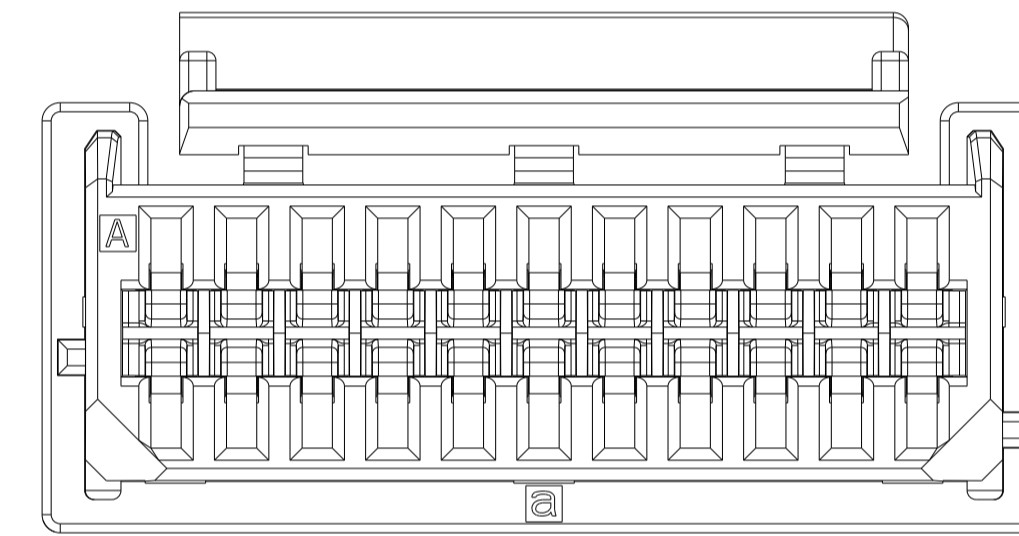
KEY B

KEY A SHOWN FOR ALL POSITIONS

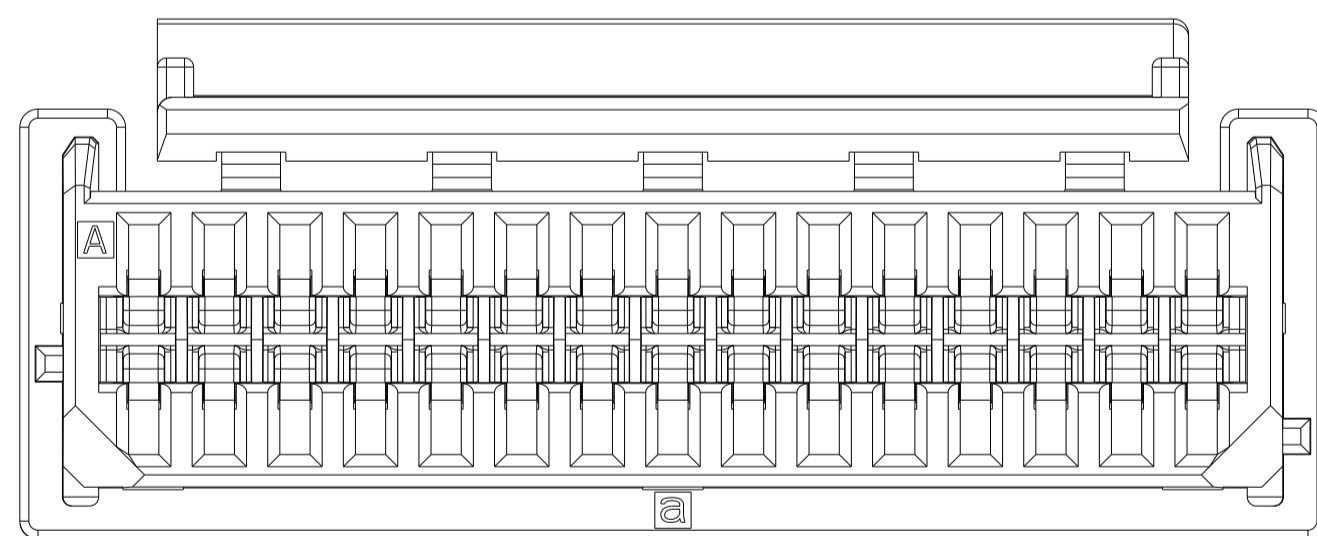
20 POSITION
2-2456588-0



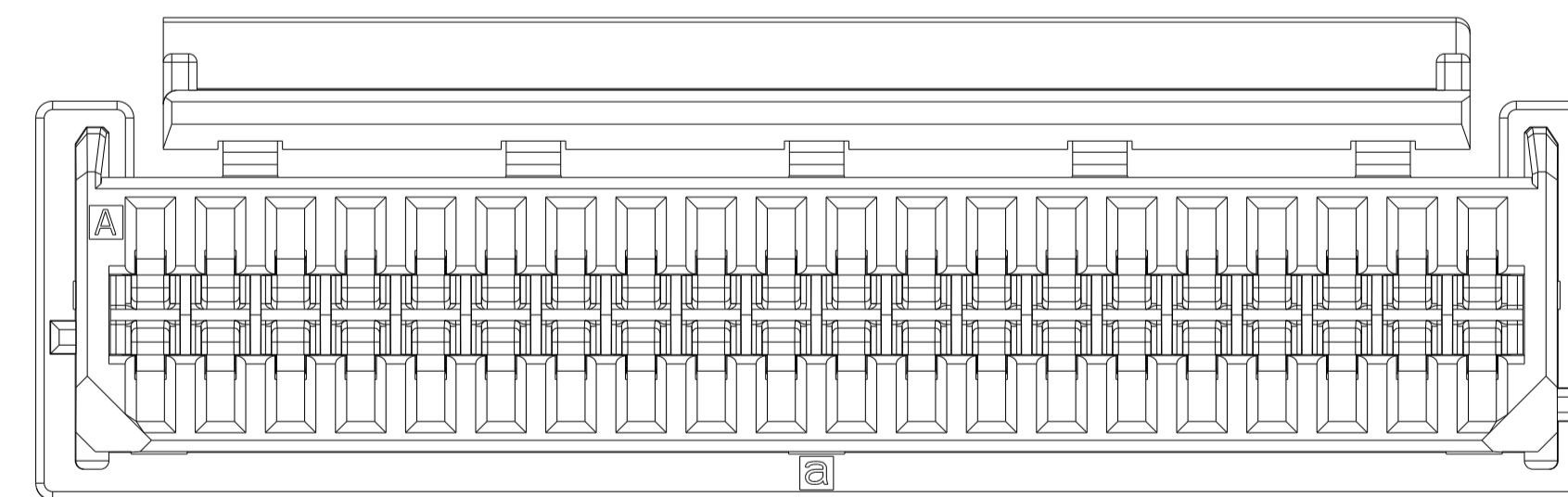
22 POSITION
2-2456588-2



30 POSITION
3-2456588-0



40 POSITION
4-2456588-0



9-2456589-0	5.625	15.35	14.00	A	BLACK	20	9-2456588-0	
8-2456589-0	11.875	27.85	26.50	B	BLACK	40	8-2456588-0	
7-2456589-0	8.75	21.60	20.25			30	7-2456588-0	
6-2456589-0	5.625	15.35	14.00	A	NATURAL	20	6-2456588-0	
4-2456589-0	11.875	27.85	26.50			40	4-2456588-0	
3-2456589-0	8.75	21.60	20.25	A	NATURAL	30	3-2456588-0	
2-2456589-2	6.25	16.60	15.25			22	2-2456588-2	
2-2456589-0	5.625	15.35	14.00			20	2-2456588-0	
MATING HEADER	DIM "C"	DIM "B"	DIM "A"	KEYING	COLOR	POS	PART NO	REMARK

THIS DRAWING IS A CONTROLLED DOCUMENT.

DIMENSIONS:	TOLERANCES UNLESS OTHERWISE SPECIFIED:	OWN: BASAVARAJA D X 31 JUL 2020	
mm	0 PLC ±0.30 1 PLC ±0.15 2 PLC ±0.15 3 PLC ±0.15 4 PLC ±0.15 ANGLES ±0.15 FINISH	CHK: CHEN LEO 31 JUL 2020	
MATERIAL:		APVD: CHEN LEO 31 JUL 2020	NAME: PLUG HOUSING, DUAL ROW, SGI 1.25
		PRODUCT SPEC: 108-106451	
		APPLICATION SPEC: 114-106497	SIZE: A
		WEIGHT: -	CAGE CODE: 00779
		CUSTOMER DRAWING	DRAWING NO: 2456588
			RESTRICTED TO: -
			SCALE: 8:1
			SHEET: 2 OF 2
			REV: A2