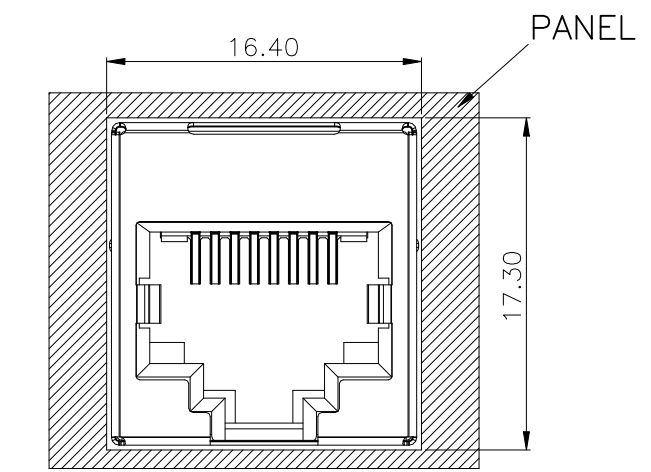
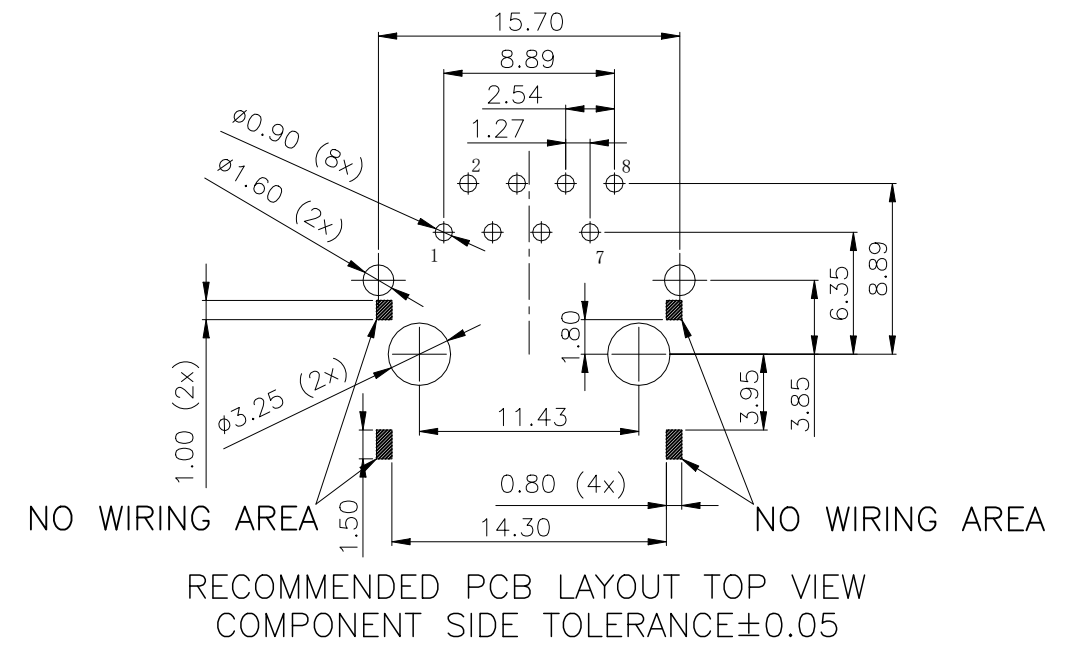
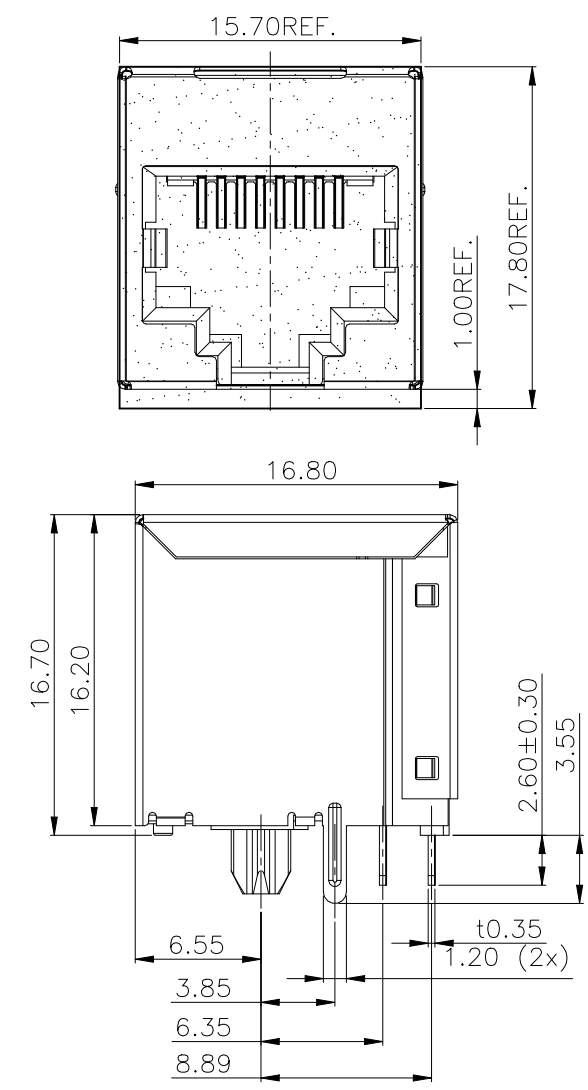
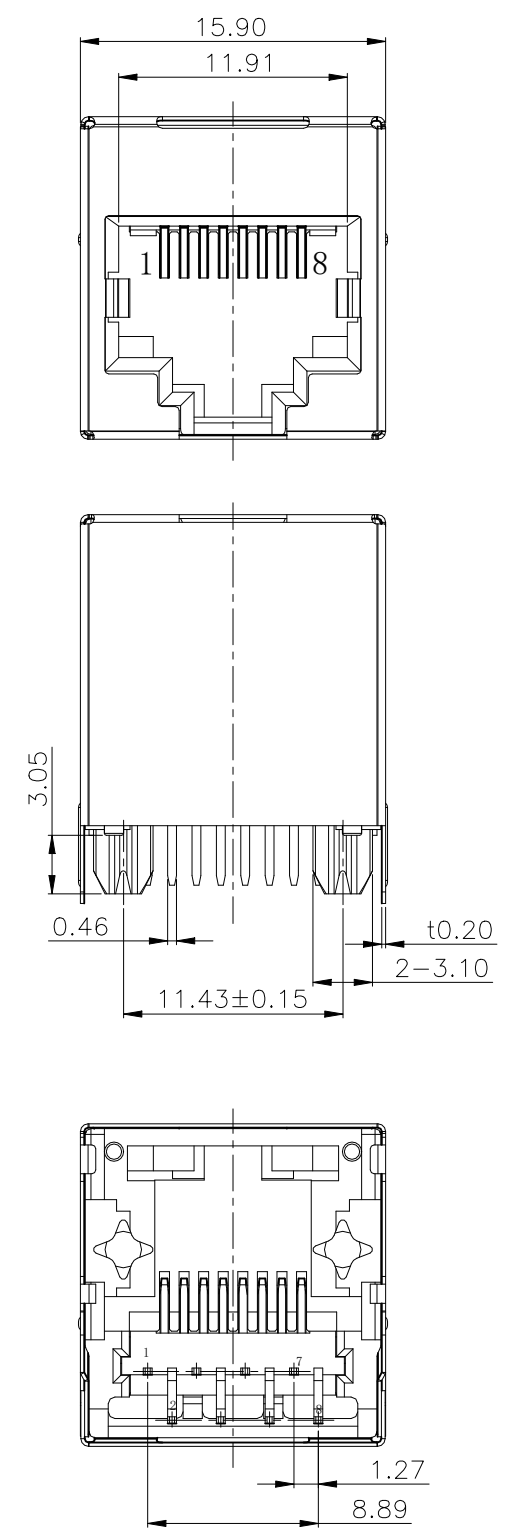


REVISIONS				
P	LTR	DESCRIPTION	DATE	APVD
	A1	NEW DRAWING	13NOV2023	ASB LET



RECOMMEND PANEL CUTOUT

- 1 CONNECTOR MATERIAL:  
 HOUSING: LCP BLACK UL94V-0  
 INSERT: LCP BLACK UL94V-0.  
 SHIELD: COPPER ALLOY  
 SHIELD PLATING: NICKEL  
 CONTACT: PHOSPHOR BRONZE  
 CONTACT PLATING: 30μinch GOLD PLATING ON CONTACT AREA.  
 50μinch MIN. NICKEL UNDERPLATED OVER ALL.  
 80μinch MIN. MATTE-TIN ON SOLDER TAIL.
- MYLAR: BROWN
- 2. DURABILITY: 750 CYCLES MIN.
- 3. CONNECTOR MATING, UNMATING FORCE: 30N MAX.
- 4. PLUG RETENTION FORCE: 50N MIN, 60S ± 5S.
- 5. RJ45 CAVITY DIMENSION CONFORM TO FCC PART 68.
- 6. PACKAGING: TRAY ACCORDING TO PACKAGING SPECIFICATION 107-18116
- 7 PROP 65 WARNING LABEL: SEE SHEET 2

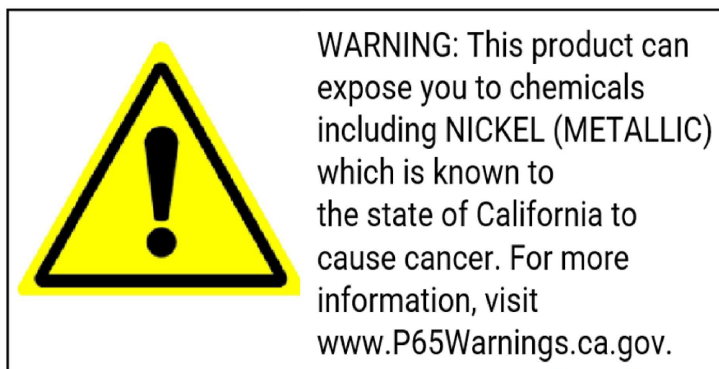
THIS DRAWING IS A CONTROLLED DOCUMENT.		DWN	13NOV2023		<b>STE</b> TE Connectivity
		CHK	15NOV2023		
		APVD	15NOV2023		
		NAME	T LEININGER		
DIMENSIONS: INCHES		TOLERANCES UNLESS OTHERWISE SPECIFIED:		NAME	
		0 PLC ± -		RJ45 JACK THT 1Gb VERT. 1X1	
		1 PLC ± 0.35		-	
		2 PLC ± 0.25		-	
		3 PLC ± 0.15		-	
		4 PLC ± -		-	
		ANGLES ± 2°		-	
MATERIAL		FINISH		SIZE	
				CAGE CODE	
				DRAWING NO	
				RESTRICTED TO	
				-	
				SCALE	
				SHEET	
				REV	
				A1	


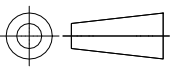


REVISIONS					
P	LTR	DESCRIPTION	DATE	DWN	APVD
	-	SEE SHEET 1	-	-	-

NOTES: CONTINUATION FROM SHEET 1:

7 PROP 65 WARNING LABEL:

- THE WARNING LABEL ON THE PRODUCT OR LOWEST LEVEL PACKAGING
- CHEMICAL NAME: NICKEL (METALLIC)



THIS DRAWING IS A CONTROLLED DOCUMENT.		DWN B S ADRUSH 13NOV2023	 <b>TE Connectivity</b>				
DIMENSIONS: INCHES 		CHK N MANTIKOU 15NOV2023				NAME RJ45 JACK THT 1Gb VERT. 1X1	
TOLERANCES UNLESS OTHERWISE SPECIFIED: 0 PLC ± - 1 PLC ± 0.35 2 PLC ± 0.25 3 PLC ± 0.15 4 PLC ± - ANGLES ± 2°		APVD T LEININGER 15NOV2023	PRODUCT SPEC 108-94945				
MATERIAL 		FINISH 	APPLICATION SPEC 114-97854	SIZE A3	CAGE CODE 00779	DRAWING NO C-2501551-5	RESTRICTED TO -
CUSTOMER DRAWING			WEIGHT 5.49g	SCALE NTS	SHEET 2 OF 2	REV A1	