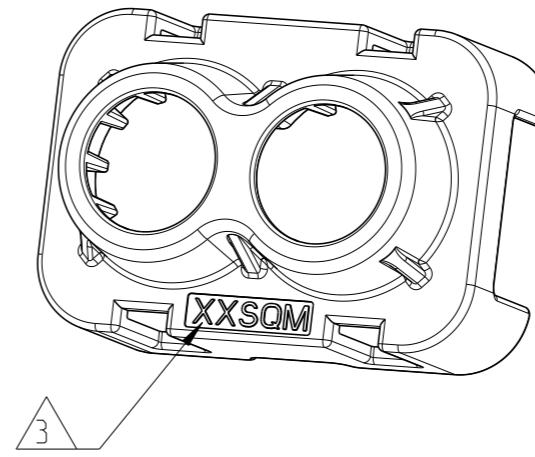
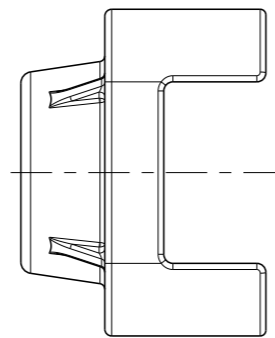
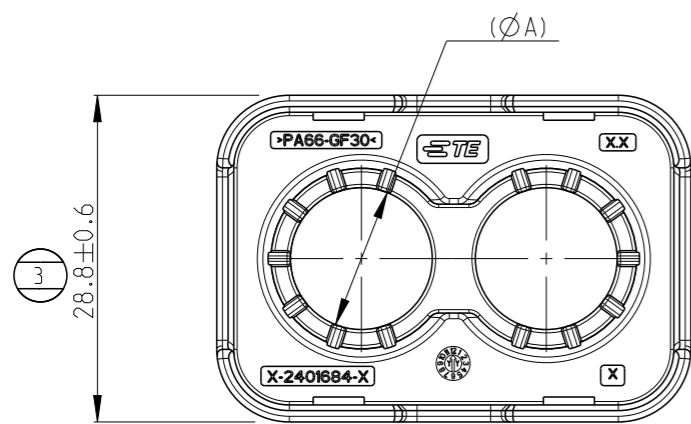
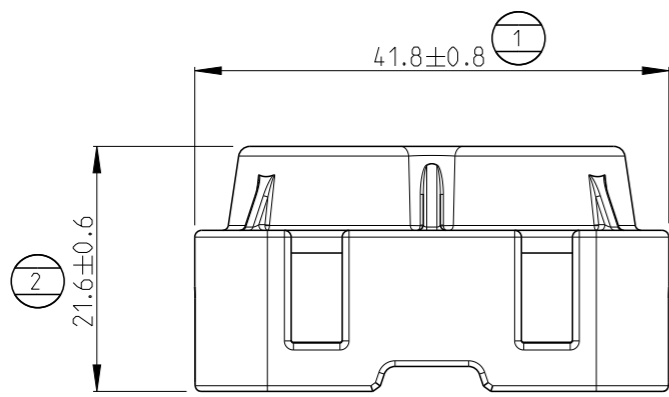
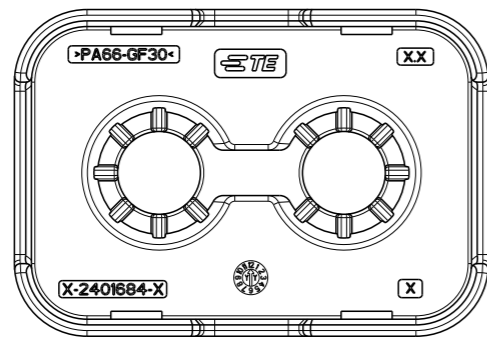


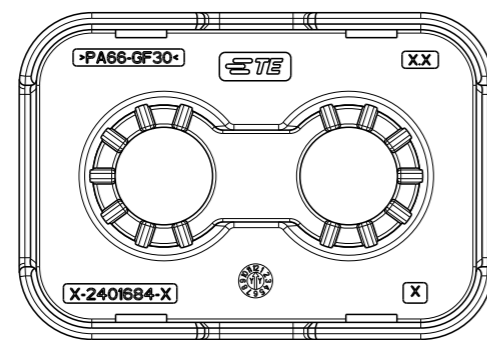
P	LTR	DESCRIPTION	DATE	DWN	APVD
A		FIRST RELEASED	12JUL2022	F.S	E.J
A1		REVISED ECN-23-240760	21NOV2023	F.S	E.J
A2		REVISED ECN-24-294474	20NOV2024	N.G	E.J



\*-1 AS SHOWN



2-\*-2 AS SHOWN



3-\*-2 AS SHOWN

A2	3-2401684-2	ORANGE	PA66-GF	8.6	FOR LV216 UNSHIELDED 16MM <sup>2</sup> ; OD7.7~8.3MM	6.1	16SQM
A1	2-2401684-2	ORANGE	PA66-GF	7.30	FOR ISO6722 UNSHIELDED 16MM <sup>2</sup> ; OD6.4~7.2MM	7.9	16SQM
	1-2401684-1	ORANGE	PA66-GF	11.40	FOR ISO19642 SHIELDED 25MM <sup>2</sup> ; OD10.7~11.3MM	5.8	25SQM
	2401684-3	ORANGE	PA66-GF	9.10	FOR LV216 10MM <sup>2</sup> ; OD8.2~8.8MM	5.6	10SQM
	2401684-2	ORANGE	PA66-GF	10.50	FOR LV216 16MM <sup>2</sup> ; OD9.6~10.2MM	5.5	16SQM
	2401684-1	ORANGE	PA66-GF	12.50	FOR LV216 25MM <sup>2</sup> ; OD11.6~12.2MM	5.4	25SQM
	TE PART NO	COLOR	RAW MATERIAL	DIM.A	DESCRIPTION	WEIGHT (g)	MARK FOR CABLE SIZE

THIS DRAWING IS A CONTROLLED DOCUMENT.		DWN F.SUN 12JUL2022	TE Connectivity <b>CSJ1200 PLUG CABLE COVER</b>	
DIMENSIONS: mm		CHK F.MA 12JUL2022		
TOLERANCES UNLESS OTHERWISE SPECIFIED.		APVD F.JIANG 12JUL2022	NAME	
0 PLC ± 1 PLC ±0.1 2 PLC ±0.01 3 PLC ±0.001 4 PLC ±0.0001 ANGLES ±		PRODUCT SPEC 108-160464/160478	-	
MATERIAL SEE TABLE		APPLICATION SPEC 114-160290/160290	SIZE A3	CAGE CODE 00779
FINISH -		WEIGHT SEE TABLE	DRAWING NO C=2401684	RESTRICTED TO -
CUSTOMER DRAWING			SCALE 1:1	SHEET 1 OF 1
			REV A2	