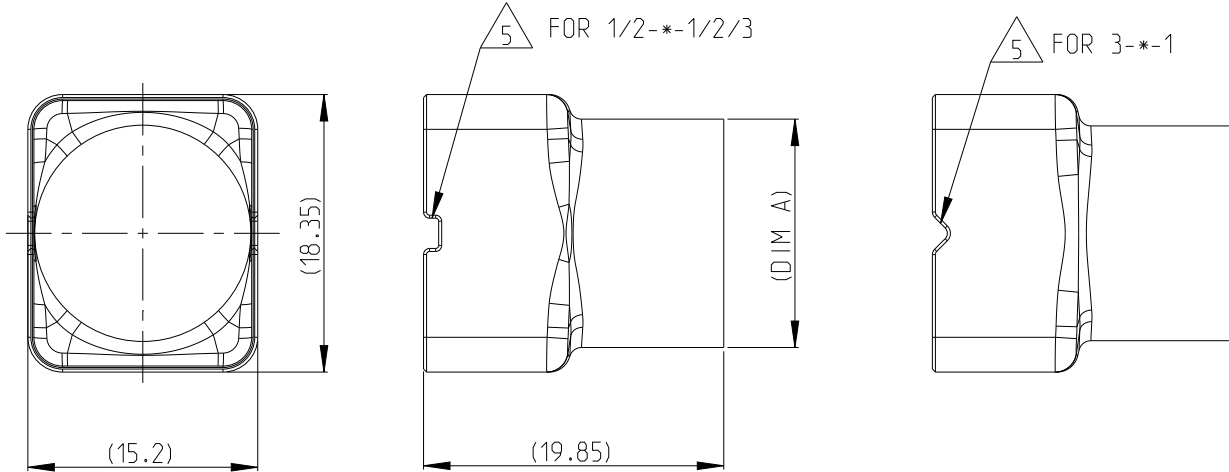
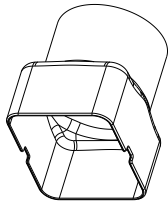


REVISIONS

P	LTR	DESCRIPTION	DATE	DWN	APVD
	A	FIRST RELEASED	12JUL2022	F.S	E.J
	A1	REVISED ECN-23-237503	31OCT2023	F.S	E.J



1 MATERIAL: COPPER ALLOY

2 FINISH: TIN

3 FINISH: SILVER

4. PARTS MUST FREE OF BURRS, CRACKS, OR OTHER VISUAL IMPERFECTIONS THAT MAY AFFECT FIT FORM OR FUNCTION.

5 PRODUCT DISTINCTION CHARACTERISTIC



4.2	14.2	2	FOR ISO19642 25MM ² ,OD10.7~11.3MM	3-2401675-1	TRIANGLE NOTCH
4.0	11.70	3	FOR LV216 10MM ² ,OD8.2~8.8MM	2-2401675-3	REC ANGLE NOTCH
4.1	13.10	3	FOR LV216 16MM ² ,OD9.6~10.2MM	2-2401675-2	
4.2	15.10	3	FOR LV216 25MM ² ,OD11.6~12.2MM	2-2401675-1	
4.0	11.70	2	FOR LV216 10MM ² ,OD8.2~8.8MM	1-2401675-3	
4.1	13.10	2	FOR LV216 16MM ² ,OD9.6~10.2MM	1-2401675-2	
4.2	15.10	2	FOR LV216 25MM ² ,OD11.6~12.2MM	1-2401675-1	
WEIGHT(g)	DIM. A	FINISH	DESCRIPTION	PART NO.	

© 2022 TE Connectivity. All Rights Reserved.

DIMENSIONS: mm	DWN F.SUN	12JUL2022	MATERIAL	1	FINISH	2 3
	CHK F.MA	12JUL2022				
TOLERANCES UNLESS OTHERWISE SPECIFIED:	APVD E.JIANG	12JUL2022				
	0 PLC ±	PRODUCT SPEC	108-160464/160478	SIZE	CAGE CODE	DRAWING NO
1 PLC ±0.5	APPLICATION SPEC	114-160250/160290	A 4	00779	C=2401675	-
2 PLC ±0.13	WEIGHT	SEE TABLE	CUSTOMER DRAWING		SCALE	2:1
3 PLC ±0.013					SHEET	1 OF 1
4 PLC ±0.0001					REV	A1
ANGLES ±						