

- Medical electric equipment
- Power Factor Correction
- World wide
- Safety Approvals
- EMI
- Inrush current limiting
- OCP
- OVP
- Remote ON/OFF
- Parallel Operation
- 1U

# J-series



## ■ Features

- Meets IEEE 802.3 and ANSIX3.263 standards .RoHS Compliant
- Less magnetic components to be placed on PCB,higher reliability and yields
- Minimize PCB space and Simplify PCB Layout
- Cable interface for isolation and low common mode emissions.
- Storage temperature range: -40°C to +85°C
- Operating temperature range: 0°C to +70°C

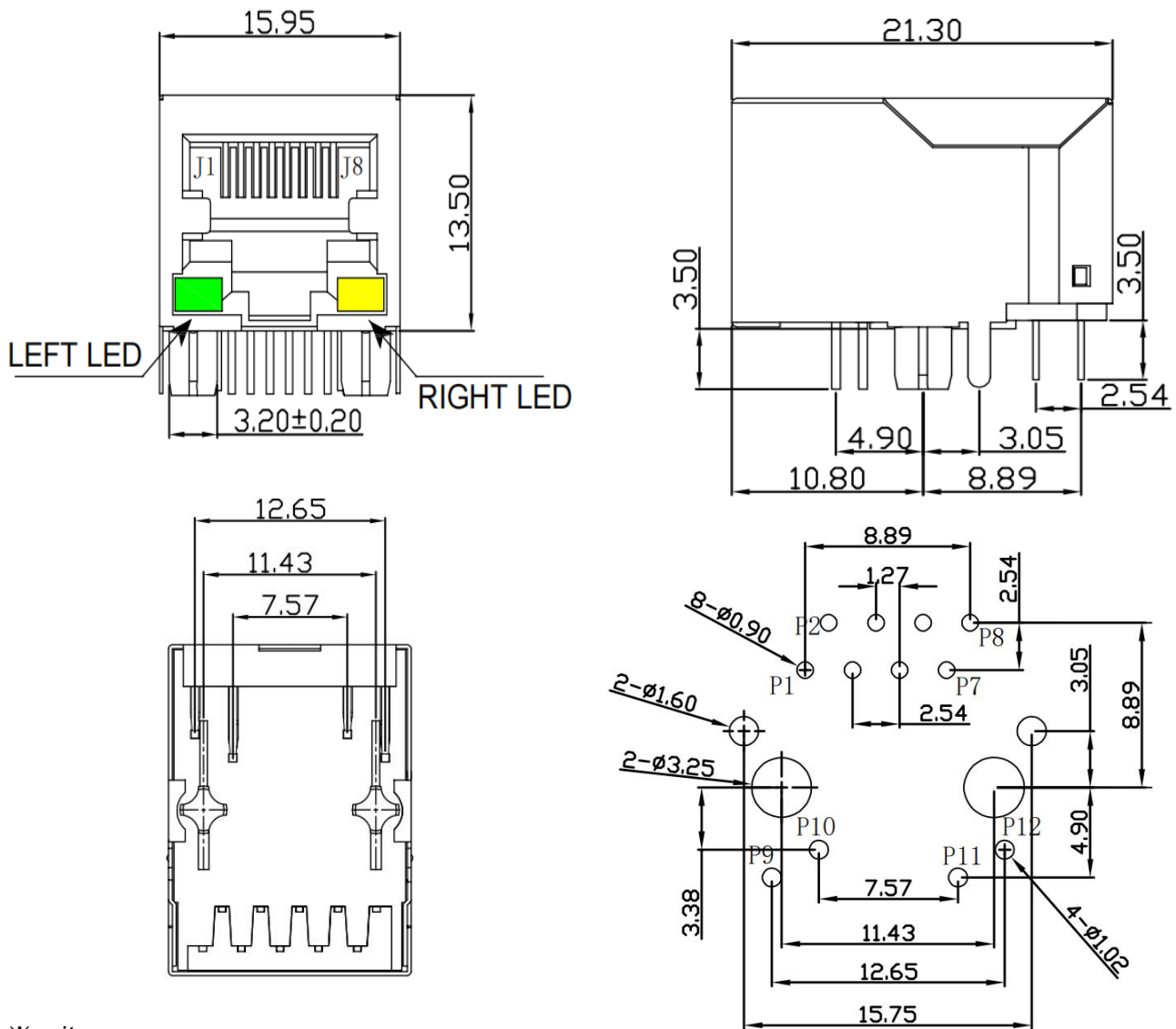
## ■ ROHS REACH marking

## ■ CE FCC marking

## 2. Specifications

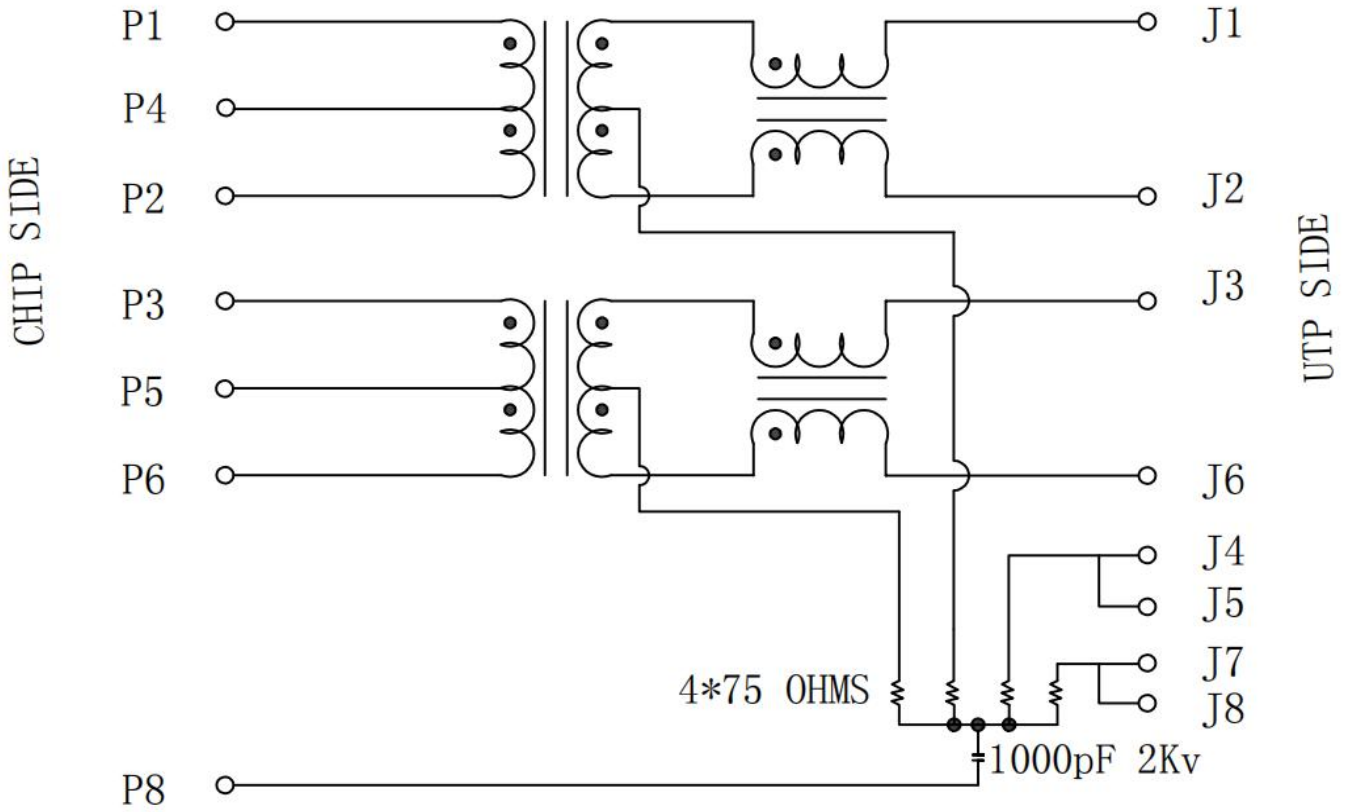
Part No	OCL(uH min) @100KHz/0.1Vrms 8MA BIA	Turns Ratio(3%)	DCR ( $\Omega$ ) Max	Cww(Pri:Sec) pF Typ		Isolation Voltage(AC Vrms 3S)	
J0011D01BNL	350UH	1:1	1.2	35		1500V	
Part No	InsertionLoss(dB Max) 1-100MHz	Return Loss(dB Min) @MHz			CMRR(dB min)MHz		Crosstalk (dB min) MHz
		1-30	40~60	60~100	1-60	60~100	1~100
J0011D01BNL	-1.2	-18	-16	-14	-40	-30	-35

## 3. Mechanical



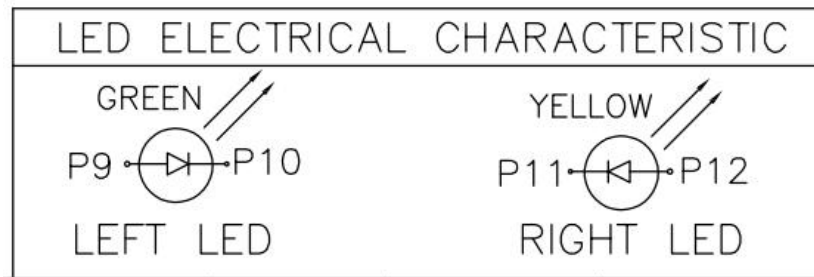
※unit: mm

### 4.Schematic



- 1.Connector Material:  
 Housing:Thermoplastic UL94 V-0  
 Contact/Shield:Cooper alloy  
 Shield Plating:Nickel  
 Contact Plating:Selective gold 6u"
- 2.Tolerances comply with F.C.C dimension requirements
- 3.Durability:800 mating Min

### 5. LED



Standard LED	Wavelength	Forward V (Min/Max)	Forward A	Type
Green	568nm	1.8V/2.8V	20mA	squareness
Yellow	585nm	1.8V/2.8V	20mA	squareness