



# J-series

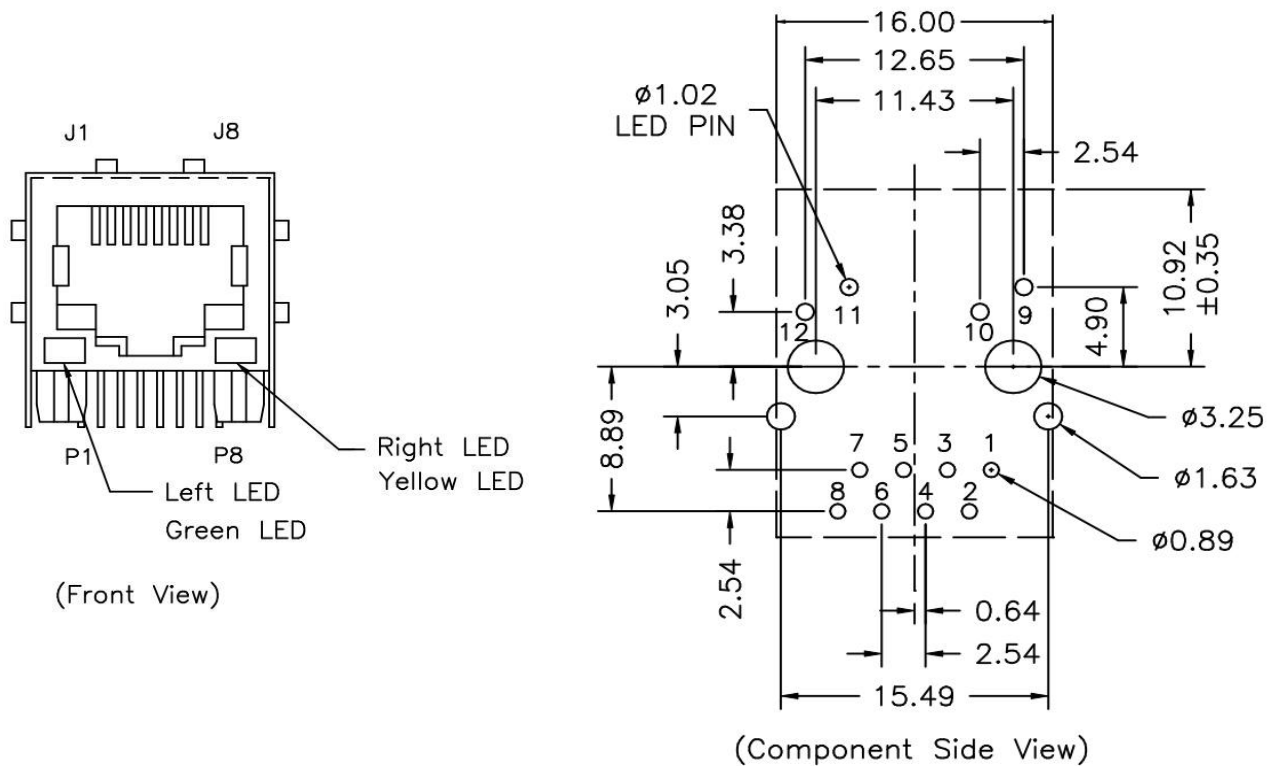
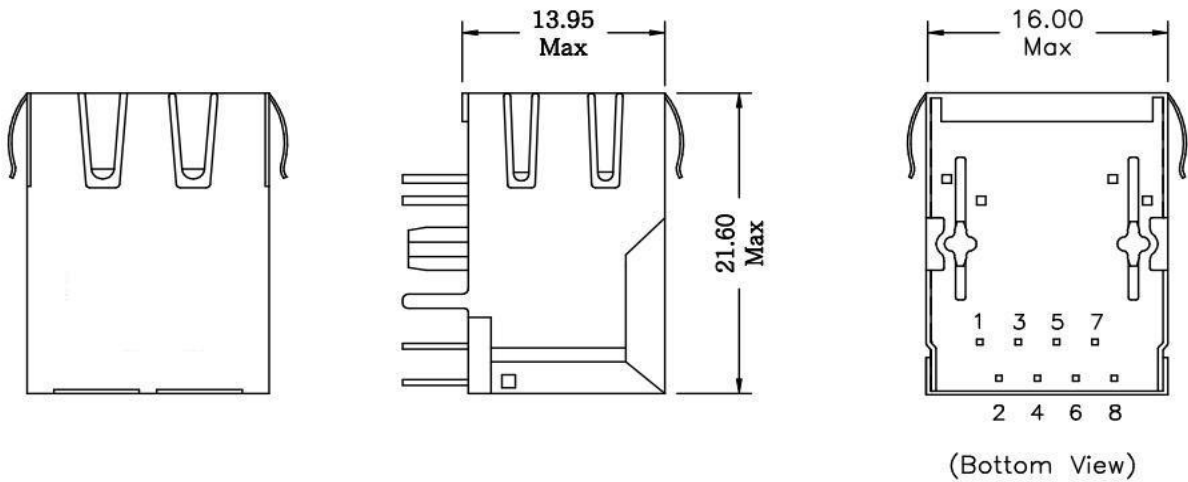


## ■ Features

- ROHS Compliant (pb free)
- Meets or exceeds IEEE802.3 standards including 350uH Min OCL with 8mADC
- High performance for EMI suppression , Crosstalk, Return loss
- Minimum 1500Vrms isolation per IEEE802.3 requirement
- Minimize PCB space and Simplify PCB Layout
- Less magnetic components to be placed on PCB, higher reliability and yields
- Operating temperature: 0°C~+70°C
- Storage temperature: -40°C~+85°C

- ROHS REACH marking
- CE FCC marking

2.Mechanical Dimensions:



### 3.Specifications

Electrical Specification@25° C Operating Temperature 0 to +70° C							
Part NO	OCL primary@100KHz 0.1Vms 8mA	Leakage primary@10KHz 0.1Vms	LED Specification				
			Standard LED	Wavelen gth	Forward V(Min/Max)	Forward A	Type
J0011D21B NL	350uH Min	0.5uH max	Green	568nm	1.7v/2.6v	20mA	squareness
			Yellow	585nm	1.7v/2.6v	20mA	squareness

Electrical Specification@25° C Operating Temperature 0 to +70° C									
Part NO	Insertion loss(dB max) 1-100MHz	Return Loss(db min)MHz				DMRR(dB min)MHz		Crosstalk(dB min)MHz	Isolation Voltage(Vrms min)
		1-30	40	50	60-100	1-60	60-100		
J0011D21B NL	-1.0	-20	-16	-16	-12	-50	-50	-30	1500

### 4.Schematic&LED

