

## FEATURES

- Operating frequency is 4GHz
- Nickel-plated body
- Gold-plated contacts
- ensure maximum efficiency

# RS PRO Coaxial Connectors

RS Stock No.:

2537057



RS Professionally Approved Products bring to you professional quality parts across all product categories. Our product range has been tested by engineers and provides a comparable quality to the leading brands without paying a premium price.

**Product Description**

It is 50  $\Omega$  BNC RF coaxial crimp plug connector with bayonet coupling and crimp/crimp professional coaxial end.

These 50  $\Omega$  BNC direct RF coaxial cable plugs feature PTFE insulation, nickel plated body, and gold plated center contacts. The BNC connector is suitable for RG223 cable.

**General Specifications**

Type of coaxial connector	BNC Plug
Body Orientation	Straight
Polarity	Normal
Mounting Type	Cable Mount
Body Plating	Nickel
Body Material	Copper
Contact Material	Copper
Contact Plating	Gold
Termination Method	Crimp
Gender	Male
Insulation Material	PTFE
Cable	RG223

**Electrical Specifications**

Temperature Range	-40°~+125°
Impedance	50 $\Omega$
Frequency Range	0~4GHz
Voltage Rating	335 V
VSWR	1.5MAX
Working Life	500Cycles

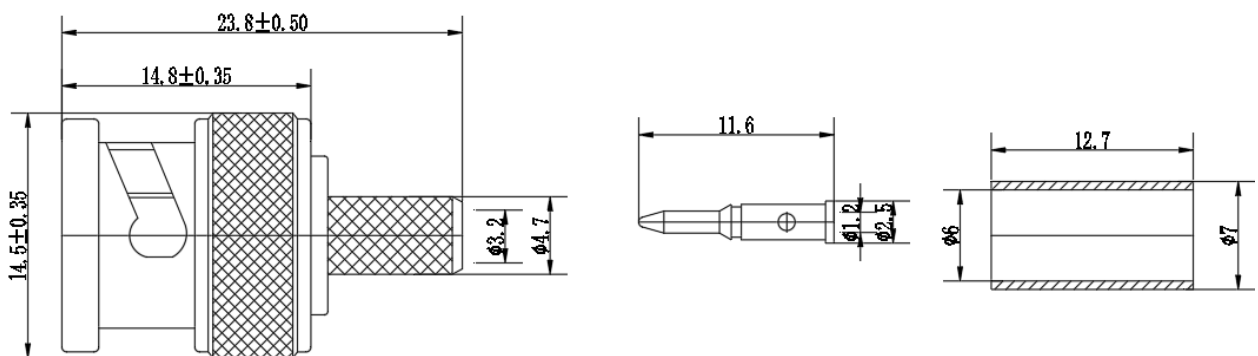
### Approvals

Declarations	CE
Hazardous Area Certification	
Standards Met	ROHS

### Similar Products

Stock No.	Brand	Product Name	Attribute 1	Attribute 2	Attribute 3
1934134	RS PRO	RF coaxial connector	Gold plated contacts	Operating frequency is 4GHz	

### Connection Diagrams / Assembly Diagrams / Illustrations / Accessories



电缆剥线尺寸

