

## 特点

- 用途广泛且易于安装
- 六角设计、可使用扳手拧紧
- 将印刷电路板牢固锁定到位
- 低碳钢材料、可提供机械强度和耐高温性环境
- 镀锌层、抗氧化和腐蚀

## RS Pro 六角支架、公 / 母、 15mm 、 M4 x M4

RS 号: 806-6562



RS 认证产品为您提供所有产品类别的专业品质部件。我们的产品系列经过工程师测试、提供与领先品牌相当的质量、而无需支付高昂的价格。

## 商品描述属性

RS PRO 提供一系列坚固优质的六角形支座，它们由镀锌低碳钢制成，并在两端配有公制内螺纹或螺纹螺柱。这些多用途支座设计用于牢固安装印刷电路板，并可从其他组件（如计算机机箱内部或其他印刷电路板）上架起印刷电路板。它们还特别适用于设备发热时改善组件周围的气流空间。这些支座提供各种不同的高度和螺纹尺寸、以适合各种印刷电路板应用。

## 一般规格

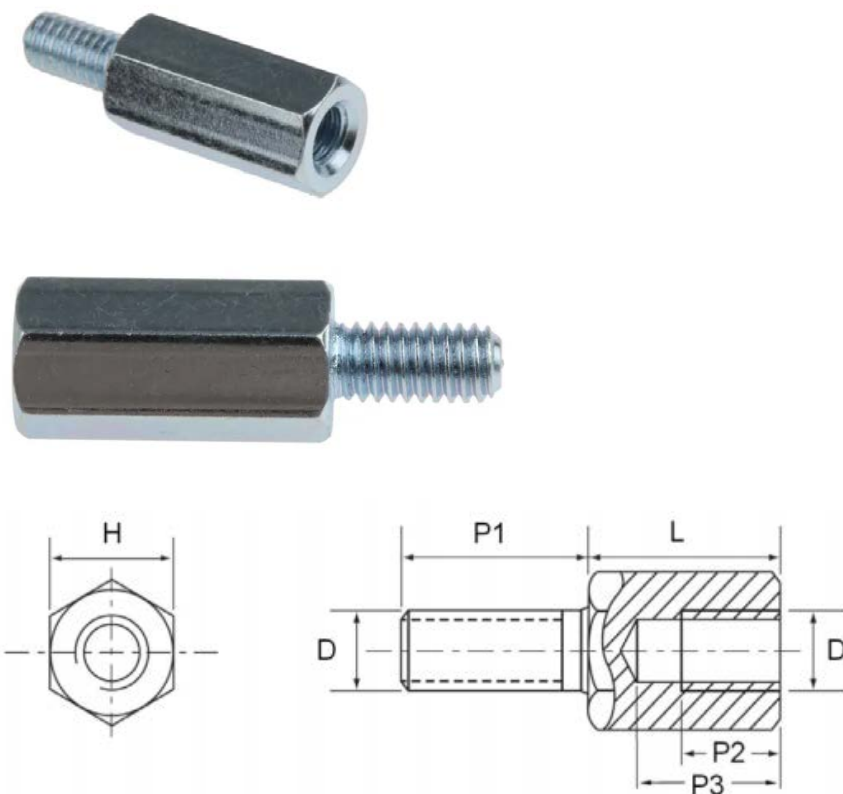
性别类型	男 / 女
材料	钢
主体形状	六路
表面	镀锌
镀层	锌
应用	消费电子产品、办公机械、数据通信和电信设备。

## 机械规格

主体长度	15mm
螺纹尺寸	M4 x M4
螺柱长度	8mm
螺纹尺寸 a	M4
螺纹规格 b	M4
六角尺寸、平头	7mm
孔深	13mm
内部螺纹尺寸	8mm

## 认证

合规性 / 认证	EN61340
----------	---------



RS Article	Description	Material	Plating	H	D	P1	P2	P3	L
8066714	Brass Hex Threaded Spacer M4x10mm M/F	Brass	Nickel	7	M4	8	7	8.5	10
8066718	Brass Hex Threaded Spacer M4x12mm M/F						8	10	12
8066727	Brass Hex Threaded Spacer M4x15mm M/F						10	13	15
8066720	Brass Hex Threaded Spacer M4x20mm M/F						10	15	20
8066724	Brass Hex Threaded Spacer M4x25mm M/F						10	15	25
8066733	Brass Hex Threaded Spacer M4x30mm M/F						10	15	30
8066736	Brass Hex Threaded Spacer M4x35mm M/F						10	15	35
8066730	Brass Hex Threaded Spacer M4x40mm M/F						10	15	40
8066749	Brass Hex Threaded Spacer M4x45mm M/F						10	15	45
8066742	Brass Hex Threaded Spacer M4x50mm M/F						10	15	50
8066632	Brass Hex. Threaded Spacer M5x10mm	Brass	Nickel	8	M5	8	7	8.5	10
8066635	Brass Hex. Threaded Spacer M5x15mm						10	13	15
8066639	Brass Hex. Threaded Spacer M5x20mm						10	15	20
8066648	Brass Hex. Threaded Spacer M5x25mm						10	15	25
8066641	Brass Hex. Threaded Spacer M5x30mm						10	15	30
8066645	Brass Hex. Threaded Spacer M5x35mm						10	15	35
8066654	Brass Hex. Threaded Spacer M5x40mm						10	15	40
8066657	Brass Hex. Threaded Spacer M5x45mm						10	15	45
8066651	Brass Hex. Threaded Spacer M5x50mm						10	15	50
8066660	Brass Hex. Threaded Spacer M5x60mm						10	15	60

RS Article	Description	Material	Plating	H	D	P1	P2	P3	L	
8066663	Steel Hex. Threaded Spacer M6x15mm	Steel	Nickel	10	M6	10	10	12	15	
8066667	Steel Hex. Threaded Spacer M6x20mm						10	12	20	
8066676	Steel Hex. Threaded Spacer M6x25mm						10	15	25	
8066679	Steel Hex. Threaded Spacer M6x30mm						10	15	30	
8066673	Steel Hex. Threaded Spacer M6x35mm						10	15	35	
8066682	Steel Hex. Threaded Spacer M6x40mm						10	15	40	
8066685	Steel Hex. Threaded Spacer M6x45mm						10	15	45	
8066689	Steel Hex. Threaded Spacer M6x50mm						10	15	50	
8066698	Steel Hex. Threaded Spacer M6x55mm						10	15	55	
8066691	Steel Hex. Threaded Spacer M6x60mm						10	15	60	
8066607	Threaded spacer, mild steel,M3x5mm,M/F	Steel	Zinc	5	M3	8	3	4.3	5	
8066588	Threaded spacer, mild steel,M3x10mm,M/F						6	8.5	10	
8066572	Threaded spacer, mild steel,M3x15mm,M/F						8	13	15	
8066613	Threaded spacer, mild steel,M3x20mm,M/F						8	15	20	
8066629	Threaded spacer, mild steel,M3x25mm,M/F						10	10	15	25
8066617	Threaded spacer, mild steel,M3x30mm,M/F						10	10	15	30
8066578	Threaded spacer, mild steel,M4x10mm,M/F	Steel	Zinc	7	M4	8	6	8.5	10	
8066562	Threaded spacer, mild steel,M4x15mm,M/F						8	13	15	
8066575	Threaded spacer, mild steel,M4x20mm,M/F						8	15	20	
8066604	Threaded spacer, mild steel,M4x25mm,M/F						10	10	15	25
8066590	Threaded spacer, mild steel,M4x30mm,M/F						10	10	15	30

RS Article	Description	Material	Plating	H	D	Hole(A/B)		L
8066695	Brass Hex Threaded Spacer M4x30mm Female	Brass	Nickel	7	M4	10	10	30
8066705	Brass Hex Threaded Spacer M4x35mm Female					10	10	35
8066708	Brass Hex Threaded Spacer M4x40mm Female					10	10	40
8066702	Brass Hex Threaded Spacer M4x45mm Female					10	10	45
8066711	Brass Hex Threaded Spacer M4x50mm Female					10	10	50
8066601	Threaded spacer, mild steel,M3x5mm,F/F	Steel	Zinc	5	M3	5		5
8066597	Threaded spacer, mild steel,M3x10mm,F/F					10		10
8066584	Threaded spacer, mild steel,M3x15mm,F/F					10	10	15
8066581	Threaded spacer, mild steel,M3x20mm,F/F					10	10	20
8066623	Threaded spacer, mild steel,M3x25mm,F/F					10	10	25
8066610	Threaded spacer, mild steel,M3x30mm,F/F					10	10	30
8066566	Threaded spacer, mild steel,M4x10mm,F/F	Steel	Zinc	7	M4	10		10
8066550	Threaded spacer, mild steel,M4x15mm,F/F					10	10	15
8066569	Threaded spacer, mild steel,M4x20mm,F/F					10	10	20
8066594	Threaded spacer, mild steel,M4x25mm,F/F					10	10	25
8066626	Threaded spacer, mild steel,M4x30mm,F/F					10	10	30