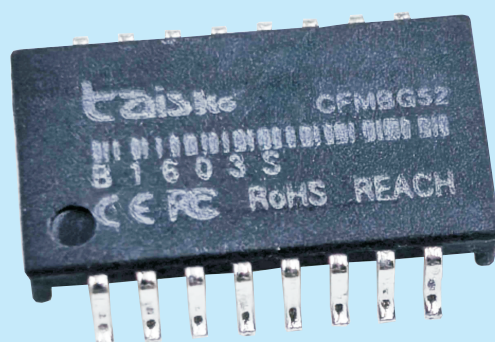


B-series



■ Feature

Meets IEEE 802.3 and ANSIX3.263 standards .RoHS Compliant
 10/100 Base-T, Surface Mount Type, Open Header
 Cable interface for isolation and low common mode emissions.
 Reflow soldering temperature: peak temperature $\leq 250\text{ }^{\circ}\text{C}$ (10s)
 Reflow soldering frequency: It is recommended not to exceed 3 times
 Storage temperature range: $-40\text{ }^{\circ}\text{C}$ to $+85\text{ }^{\circ}\text{C}$
 Operating temperature range: $0\text{ }^{\circ}\text{C}$ to $+70\text{ }^{\circ}\text{C}$

■ ROHS REACH marking

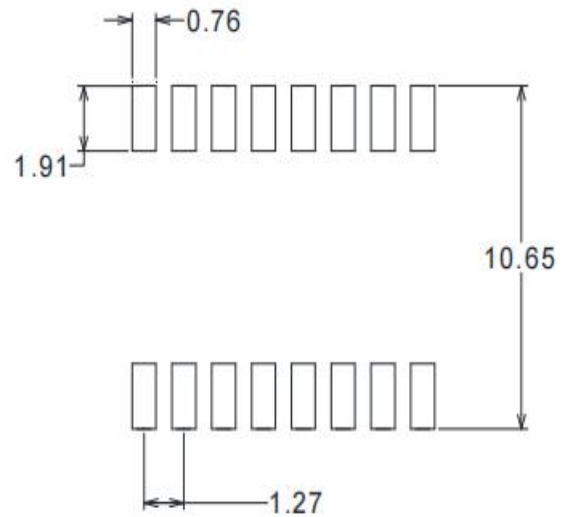
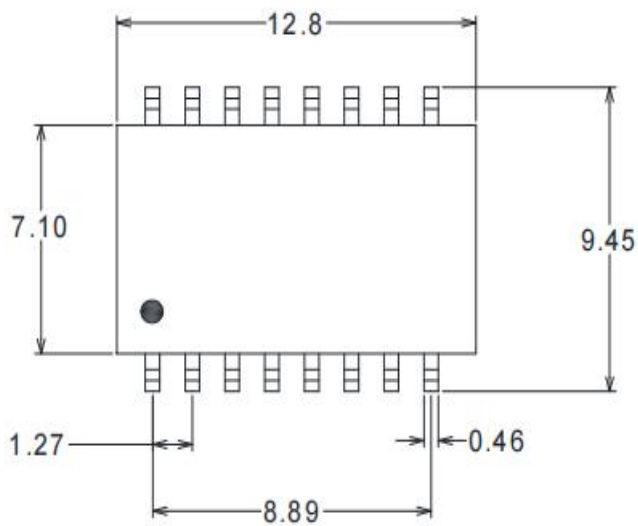
■ CE FCC marking



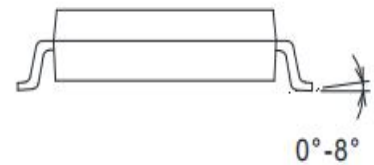
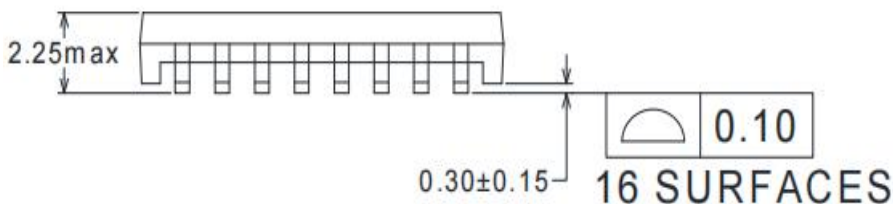
2 Specifications

Part No	OCL(uH min) @100KHz/0.1Vrms	Turns Ratio(3%)	DCR (Ω) Max	Cww(Pri:Sec) pF Typ	Isolation Voltage(AC Vrms 3S)		
B1603S	350UH	1:1	0.9/1.2	35	1500V		
Part No	Insertion loss (dB max) 1-100MHz	Return Loss(dB Mi)MHz			DMRR(dB min)MHz	Crosstalk(dB min)MHz	
		1-30	40~60	60~100	1-60	60~100	1~100
B1603S	-1.2	-18	-16	-14	-40	-30	-35

3 Mechanical

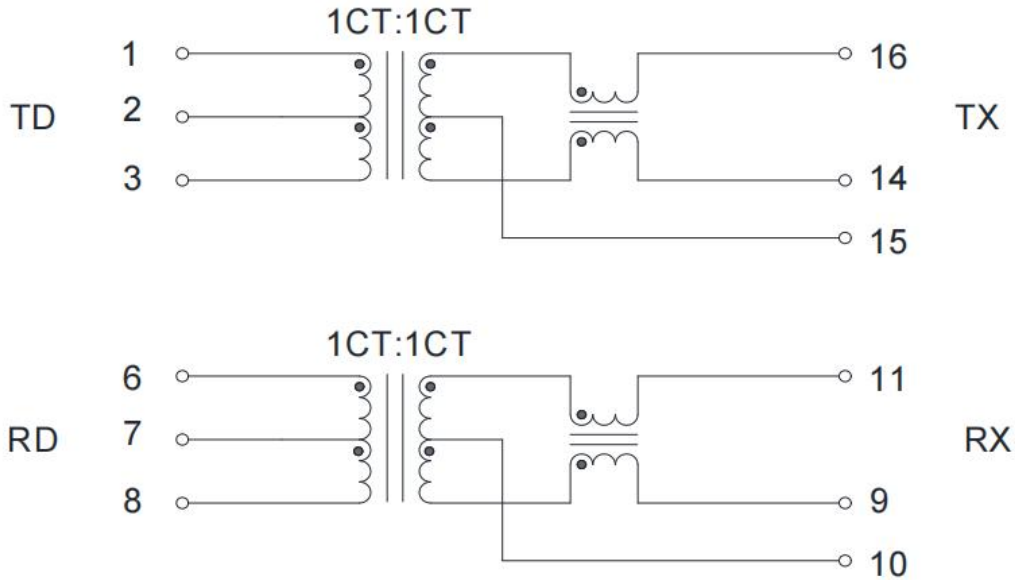


SUGGESTED PAD LAYOUT

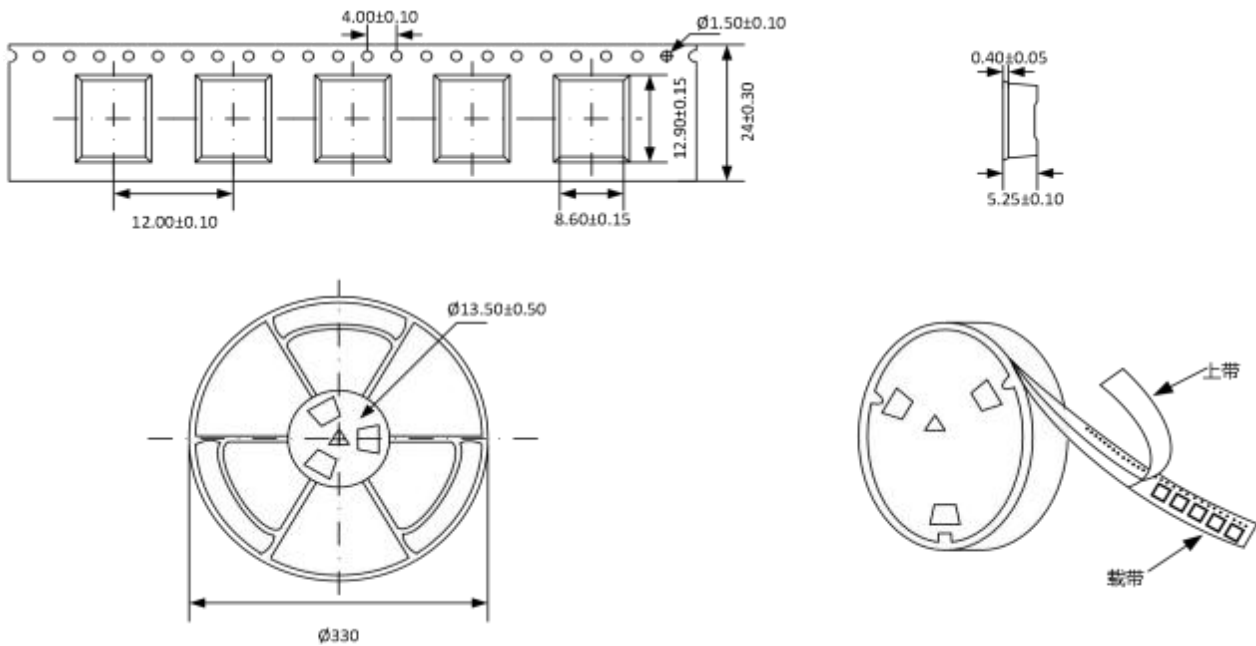


※unit: mm

4 Schematic



5 packing



※unit: mm

※ Packaging quantity : 2000pcs/roll 16000pcs/box

※ Outer box size: * L * * W * * H