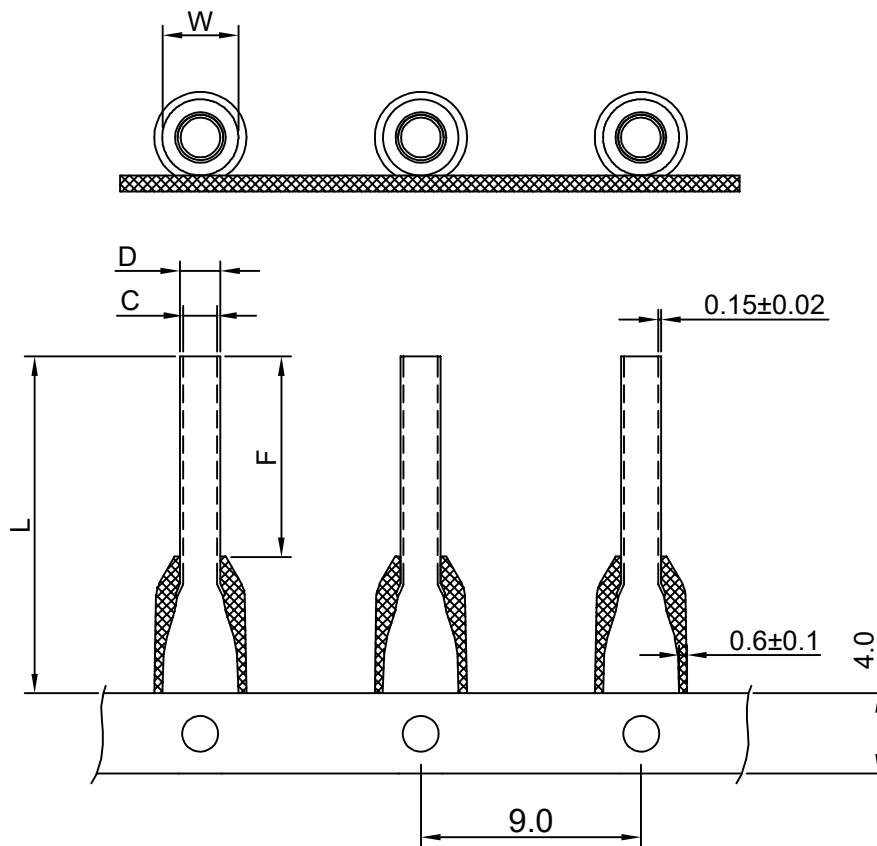


RoHS

REV	ECN NO.	DESCRIPTION	DESIGN	APPROVAL	DATE
A1	NEW	更换图框			2024.05.24



技术要求:

- 适用电线 (Wire Range) :20AWG(0.5mm²)
- 端子材质 (Terminal Body) :紫铜 (Copper)
- 塑胶材质 (Insulation) 颜色 (Color) :Nylon 94V-2 French-White German-Orange
- 表面处理 (Plating) :镀锡 (Tin)
- 符合ROHS 和 REACH 标准
- 未注明尺寸公差为 ± 0.2

X.±0.50	X.°±
.X±0.25	.X°±
.XX±0.15	.XX°±
.XXX±0.10	.XXX°±
UNITS:	mm

PART NO:		EVN0508		XFCN 兴飞连接器	
TITLE:		欧式端子		0769-82001899	
				www.xfconn.com	
				DWG NO: /	
APPD	Chen ZhiQiang	VIEW			
CHKD	Liu Wei	SCALE	SHEET	REV	
DRAW	Chen HongJiang	SCALE	1/1	A1	
DATE	2024.08.21	NONE			

EVN05	EVN0512-N	18.00	12.00	2.60	1.30	0.80
EVN05	EVN0510-N	16.00	10.00			
EVN05	EVN0508-N	14.00	8.00			
EVN05	EVN0506-N	12.00	6.00			
No	Item No.料号	L±0.5	F±0.3	W±0.2	D±0.1	C±0.1
Size mm						

THESE DRAWINGS AND SPECIFICATIONS ARE THE PROPERTY OF XFCN AND SHALL NOT BE REPRODUCED, COPIED OR CUED IN ANY MANNER WITHOUT THE PRIOR WRITTEN CONSENT OF XFCN

8

7

6

5

4

3

2

1