



0010800

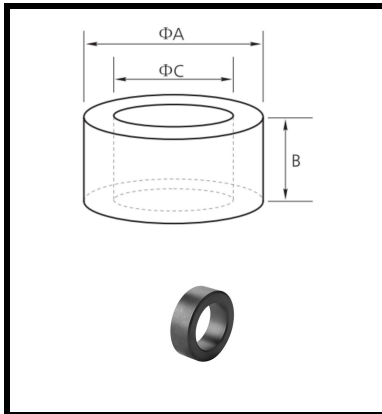
Jingweitang Industrial Zone,
Dalingshan Town, Dongguan City

Sales: Ms. Wang

Mobile number : +86 189-4861-7861

Web: [Http://www.yufengciye.com](http://www.yufengciye.com)

E-mail: yufengciye@126.com



| Product Category | Core Marking | | | Coating Color |
|------------------|--------------|-------------|------------------|---------------|
| | Lot Number | Part Number | Inductance Grade | |
| Ferrite Core | 2601 | 0010800 | N/A | GREEN |

| Dimensions | Uncoated | | Coated Limits | | | Packaging Box Qty=340 pcs |
|------------|----------|-------|---------------|-------|-----|----------------------------------|
| | (mm) | (in) | (mm) | (in) | | |
| OD (A) | 18.25 | 0.719 | 20.08 | 0.791 | MAX | |
| ID (C) | 9.85 | 0.388 | 9.06 | 0.357 | MIN | |
| HT (B) | 10.25 | 0.404 | 10.66 | 0.420 | MAX | |

| Electrical Characteristics | Physical Characteristics | | | | | | |
|--|--------------------------|----------------------------------|-----------|------------|---------|----------|------------|
| L (Testing Condition:10Khz,1v,10TS) | Initial Permeability | Saturation Magnetic Flux Density | Remanence | Coercivity | Density | Material | Weight (g) |
| 1020-1100μH | 10000 | 400 (1194A/m) | 90 | 7.2 | 4.9 | MZO | 8.2 |

| The Limit of Breakage | | | | | Temperature Rating | |
|-------------------------|------|----------------|------|---------------------------------|--------------------|--|
| Winding Length Per Turn | | | | Wound Coil Dimensions (mm) | | Curie Temp: >160°C |
| Winding Factor | (mm) | Winding Factor | (mm) | 40% Winding Factor | OD | Coating Temp (Continuous up to): 180°C |
| | | | | | HT | |
| - | - | - | - | Completely Full Window | Max OD | Notes: |
| - | - | - | - | | Max HT | |
| - | - | - | - | Surface Area (mm ²) | | |
| - | - | - | - | Unwound Core | - | |
| - | - | - | - | 40% Winding Factor | - | |

