



YUFENGCIYE

**0010525**

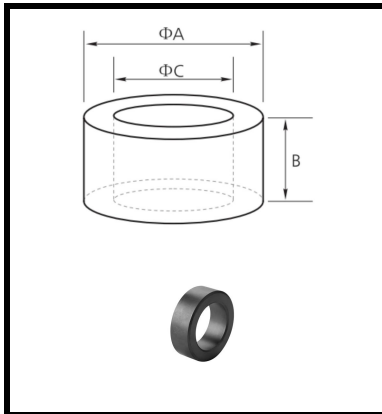
Jingweitang Industrial Zone,  
Dalingshan Town, Dongguan City

Sales: Ms. Wang

Mobile number : +86 189-4861-7861

Web: [Http://www.yufengciye.com](http://www.yufengciye.com)

E-mail: [yufengciye@126.com](mailto:yufengciye@126.com)



Product Category	Core Marking			Coating Color
	Lot Number	Part Number	Inductance Grade	
Ferrite Core	2601	0010525	N/A	WHITE

Dimensions	Uncoated		Coated Limits			Packaging Box Qty=196 pcs
	(mm)	(in)	(mm)	(in)		
OD (A)	25.30	0.997	26.06	1.027	MAX	
ID (C)	15.32	0.604	14.55	0.573	MIN	
HT (B)	13.05	0.514	13.83	0.545	MAX	

Electrical Characteristics	Physical Characteristics						
L (Testing Condition:1Khz,0.3v)	Initial Permeability	Saturation Magnetic Flux Density	Remanence	Coercivity	Density	Material	Weight (g)
10-16uH	10000	400 (1194A/m)	90	7.2	4.9	MZO	17.7

The Limit of Breakage					Temperature Rating	
Winding Length Per Turn				Wound Coil Dimensions (mm)		Curie Temp: >160°C
Winding Factor	(mm)	Winding Factor	(mm)	40% Winding Factor		Coating Temp (Continuous up to): 180°C
				OD	HT	
-	-	-	-	Max OD	-	Notes:
-	-	-	-	Max HT	-	
Completely Full Window				Surface Area (mm <sup>2</sup> )		
-	-	-	-	Unwound Core	-	
-	-	-	-	40% Winding Factor	-	

