



0010959

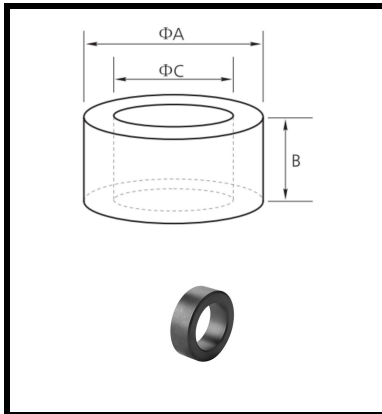
Jingweitang Industrial Zone,
Dalingshan Town, Dongguan City

Sales: Ms. Wang

Mobile number : +86 189-4861-7861

Web: [Http://www.yufengciye.com](http://www.yufengciye.com)

E-mail: yufengciye@126.com



Product Category	Core Marking			Coating Color
	Lot Number	Part Number	Inductance Grade	
Ferrite Core	2601	0010959	N/A	WHITE

Dimensions	Uncoated		Coated Limits			Packaging Box Qty=196 pcs
	(mm)	(in)	(mm)	(in)		
OD (A)	29.02	1.143	29.89	1.178	MAX	
ID (C)	19.05	0.751	18.10	0.713	MIN	
HT (B)	15.06	0.593	15.96	0.629	MAX	

Electrical Characteristics	Physical Characteristics						
L (Testing Condition:1Khz,1v)	Initial Permeability	Saturation Magnetic Flux Density	Remanence	Coercivity	Density	Material	Weight (g)
8-15uH	10000	400 (1194A/m)	90	7.2	4.9	MZO	17.7

The Limit of Breakage				Temperature Rating		
Winding Length Per Turn		Wound Coil Dimensions (mm)		Curie Temp: >160°C		
Winding Factor	(mm)	Winding Factor	(mm)	40% Winding Factor	OD	-
					HT	-
				Completely Full Window	Max OD	-
					Max HT	-
				Surface Area (mm ²)		
				Unwound Core	-	
				40% Winding Factor	-	
Coating Temp (Continuous up to): 180°C						
Notes:						

