



YUFENGCIYE

0010319

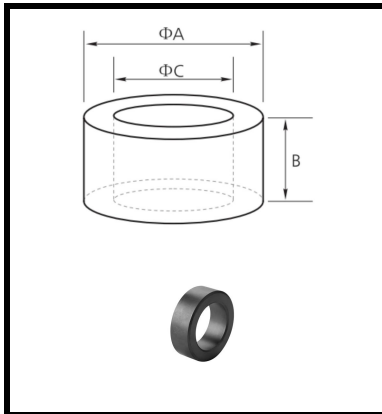
Jingweitang Industrial Zone,
Dalingshan Town, Dongguan City

Sales: Ms. Wang

Mobile number : +86 189-4861-7861

Web: [Http://www.yufengciye.com](http://www.yufengciye.com)

E-mail: yufengciye@126.com



Product Category	Core Marking			Coating Color
	Lot Number	Part Number	Inductance Grade	
Ferrite Core	2601	0010319	N/A	WHITE

Dimensions	Uncoated		Coated Limits			Packaging Box Qty=196 pcs
	(mm)	(in)	(mm)	(in)		
OD (A)	36.09	1.422	37.17	1.464	MAX	
ID (C)	23.05	0.908	21.90	0.863	MIN	
HT (B)	13.22	0.521	14.01	0.552	MAX	

Electrical Characteristics		Physical Characteristics						
TEST RESULT (Testing Condition:1.0x0.5TSx120mm)		Initial Permeability	Saturation Magnetic Flux Density	Remanence	Coercivity	Density	Material	Weight (g)
AL>8.5uH	10Khz,1v	10000	400 (1194A/m)	90	7.2	4.9	MZO	17.7
>12Ω	500Khz,1v							

The Limit of Breakage				Temperature Rating	
Winding Length Per Turn		Wound Coil Dimensions (mm)		Curie Temp: >160°C	
Winding Factor	(mm)	Winding Factor	(mm)	40% Winding Factor	OD -
					HT -
				Completely Full Window	Max OD -
					Max HT -
				Surface Area (mm ²)	
				Unwound Core	-
				40% Winding Factor	-
Notes:					

