



YUFENGCIYE

**0010319**

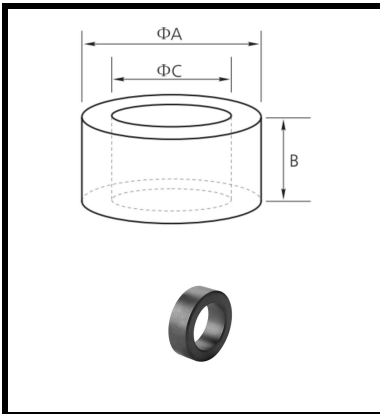
Jingweitang Industrial Zone,  
Dalingshan Town, Dongguan City

Sales: Ms. Wang

Mobile number : +86 189-4861-7861

Web: [Http://www.yufengciye.com](http://www.yufengciye.com)

E-mail: [yufengciye@126.com](mailto:yufengciye@126.com)



Product Category	Core Marking			Coating Color
	Lot Number	Part Number	Inductance Grade	
Ferrite Core	2601	0010319	N/A	WHITE

Dimensions	Uncoated		Coated Limits			Packaging  Box Qty=196 pcs
	(mm)	(in)	(mm)	(in)		
OD (A)	31.42	1.238	32.36	1.275	MAX	
ID (C)	19.05	0.751	18.10	0.713	MIN	
HT (B)	15.08	0.594	15.98	0.630	MAX	

Electrical Characteristics	Physical Characteristics						
L (Testing Condition:1Khz,0.3v,5TS)	Initial Permeability	Saturation Magnetic Flux Density	Remanence	Coercivity	Density	Material	Weight (g)
300-375uH	10000	400 (1194A/m)	90	7.2	4.9	MZO	17.7

The Limit of Breakage					Temperature Rating	
Winding Length Per Turn			Wound Coil Dimensions (mm)		Curie Temp: >160°C	
Winding Factor	(mm)	Winding Factor	(mm)	40% Winding Factor	OD	-
					HT	-
				Completely Full Window	Max OD	-
					Max HT	-
				Surface Area (mm <sup>2</sup> )		
				Unwound Core		-
				40% Winding Factor		-

