



**0010525**

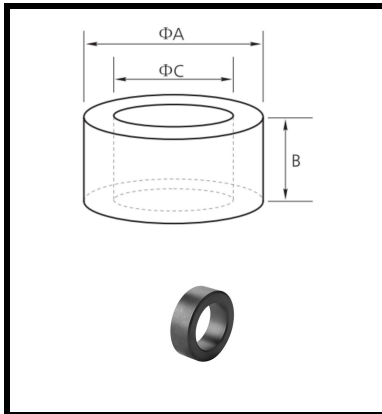
Jingweitang Industrial Zone,  
Dalingshan Town, Dongguan City

Sales: Ms. Wang

Mobile number : +86 189-4861-7861

Web: [Http://www.yufengciye.com](http://www.yufengciye.com)

E-mail: [yufengciye@126.com](mailto:yufengciye@126.com)



| Product Category | Core Marking |             |                  | Coating Color |
|------------------|--------------|-------------|------------------|---------------|
|                  | Lot Number   | Part Number | Inductance Grade |               |
| Ferrite Core     | 2601         | 0010525     | N/A              | WHITE         |

| Dimensions | Uncoated |       | Coated Limits |       |     | Packaging<br><br>Box Qty=120 pcs |
|------------|----------|-------|---------------|-------|-----|----------------------------------|
|            | (mm)     | (in)  | (mm)          | (in)  |     |                                  |
| OD (A)     | 19.58    | 0.771 | 20.17         | 0.795 | MAX |                                  |
| ID (C)     | 11.20    | 0.441 | 10.64         | 0.419 | MIN |                                  |
| HT (B)     | 26.05    | 1.026 | 27.61         | 1.088 | MAX |                                  |

| Electrical Characteristics                                      |      |     | Physical Characteristics |                                  |           |            |         |          |            |
|---|------|-----|--------------------------|----------------------------------|-----------|------------|---------|----------|------------|
| <b>IMPEDANCE RESULT</b><br>(Testing Condition:0.65x0.5TSx120mm) |      |     | Initial Permeability     | Saturation Magnetic Flux Density | Remanence | Coercivity | Density | Material | Weight (g) |
|   |      |     |                          |                                  |           |            |         |          |            |
| @100Mhz   | 170Ω | 50% |                          |                                  |           |            |         |          |            |

| The Limit of Breakage   |      |                |                            |                                 | Temperature Rating |        |
|-------------------------|------|----------------|----------------------------|---------------------------------|--------------------|--------|
| Winding Length Per Turn |      |                | Wound Coil Dimensions (mm) |                                 | Curie Temp: >160°C |        |
| Winding Factor          | (mm) | Winding Factor | (mm)                       | 40% Winding Factor              | OD                 | -      |
|                         |      |                |                            |                                 | HT                 | -      |
|                         |      |                |                            | Completely Full Window          | Max OD             | -      |
|                         |      |                |                            |                                 | Max HT             | -      |
|                         |      |                |                            | Surface Area (mm <sup>2</sup> ) |                    | Notes: |
|                         |      |                |                            | Unwound Core                    | -                  |        |
|                         |      |                |                            | 40% Winding Factor              | -                  |        |

