

技术特性/Specifications:

额定电压 Rated voltage: 50V AC, DC
额定电流 Rated current: 1.25A AC, DC
接触电阻 Contact resistance: 50m Ω max
绝缘电阻 Insulation resistance: 100M Ω min
耐压 Withstand voltage: 500V AC/minute
环境温度 Ambient temperature: -40 $^{\circ}$ C~+105 $^{\circ}$ C
适用线规 Wire range: AWG#32~#28

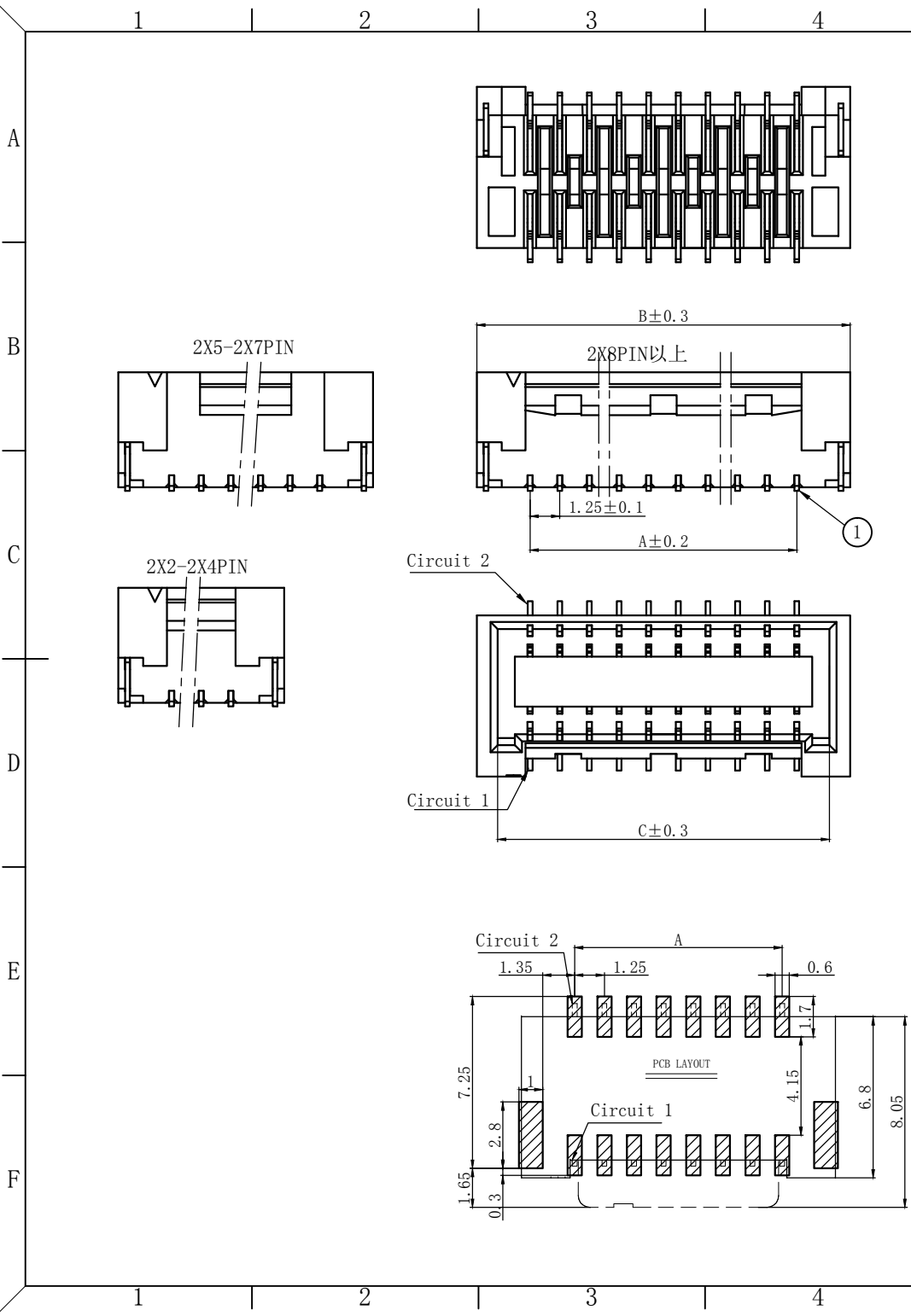
REV.	REVISION DESCRIPTION	DATE	APPD

技术特性/Specifications:
 额定电压Rated voltage : 50V AC.DC.
 额定电流Rated current : 1.25A AC.DC.
 接触电阻Contact resistance: 50mΩ MAX
 绝缘电阻Insulation resistance: 100 MΩ MIN
 耐压Withstand voltage: 500V AC/minute
 环境温度Ambient temperature: -40℃~+105℃
 针座Wafer:LCP UL94V-0

3	③	基座	LCP	1	UL94V-0
2	②	焊片	黄铜	2	镀锡
1	①	接触件	磷青铜	N	镀锡
序号	图号	名称	材料	数量	附件

Circuits	Dimension mm			Circuits	Dimension mm		
	A	B	C		A	B	C
2X2	1.25	5.75	4.00	2X12	13.75	18.25	16.50
2X3	2.50	7.00	5.25	2X13	15.00	19.50	17.75
2X4	3.75	8.25	6.50	2X14	16.25	20.75	19.00
2X5	5.00	9.50	7.75	2X15	17.50	22.00	20.25
2X6	6.25	10.75	9.00	2X16	18.75	23.25	21.50
2X7	7.50	12.00	10.25	2X17	20.00	24.50	22.75
2X8	8.75	13.25	11.50	2X18	21.25	25.75	24.00
2X9	10.00	14.50	12.75	2X19	22.50	27.00	25.25
2X10	11.25	15.75	14.00	2X20	23.75	28.25	26.50
2X11	12.50	17.00	15.25				

GENERAL TOLERANCES (UNLESS SPECIFIED)		ZHE JIANG DELI CONNECTORS CO.,LTD	
.X: ± 0.25	X°: ± 3.0°	PRODUCT NAME: DL12512 (GHD)-AB	TITLE: 1.25 mm Pitch Wire To Board Wafer
.XX: ± 0.15	.X°: ± 2.0°	DR:Chen QuanLong	DATE:22/11/30
.XXX: ± 0.01	.XX°: ± 1.0°	CHKD:Wu Hui	DATE:22/11/30
FINISH:		APPD:Ren AnDe	DATE:22/11/30
DRAWING NO:			
		SCALE: N/A	PAGE: 1/1
		UNITS: mm	REV.: A



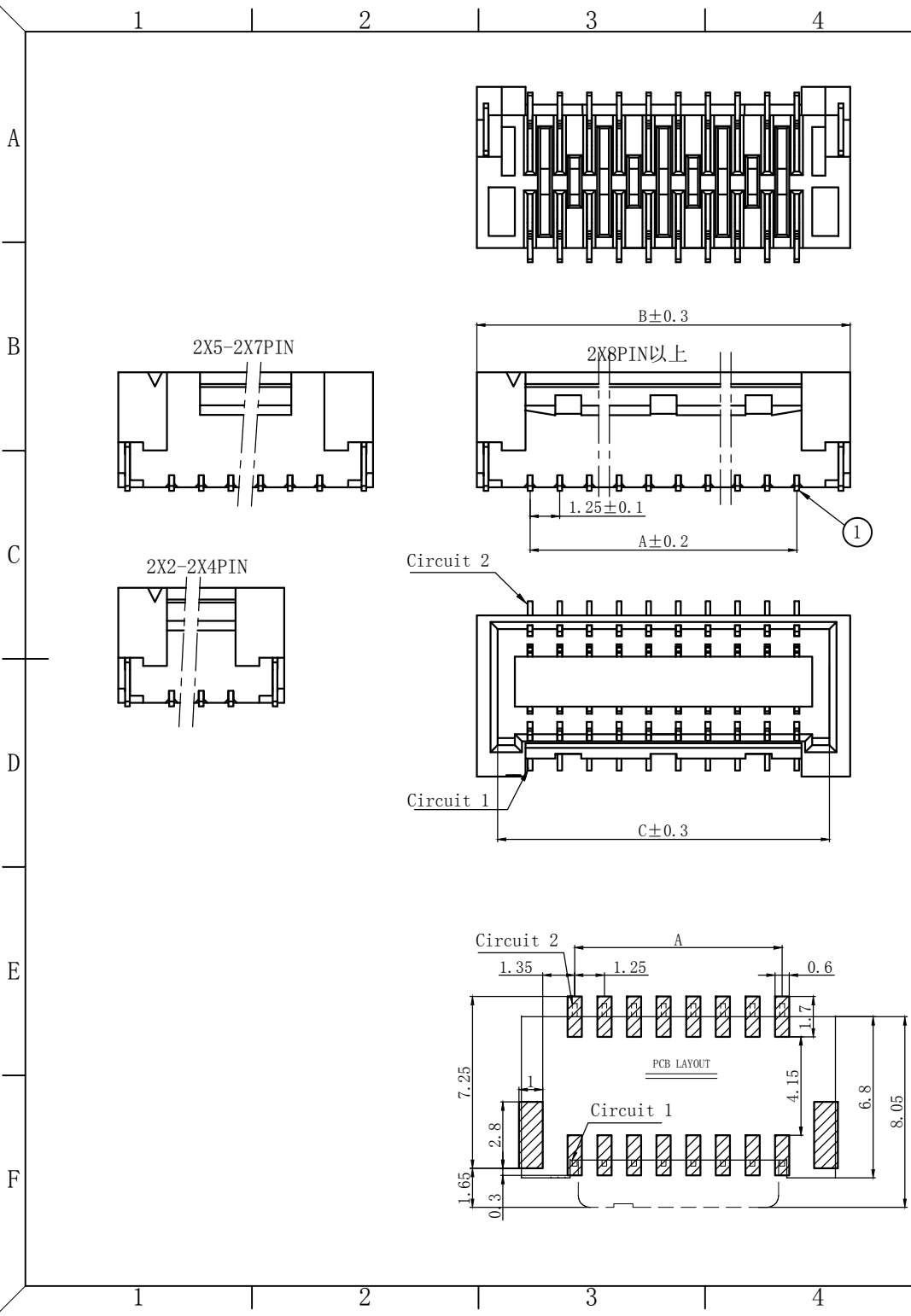
REV.	REVISION DESCRIPTION	DATE	APPD

技术特性/Specifications:
 额定电压Rated voltage : 50V AC.DC.
 额定电流Rated current : 1.25A AC.DC.
 接触电阻Contact resistance: 50mΩ MAX
 绝缘电阻Insulation resistance: 100 MΩ MIN
 耐压Withstand voltage: 500V AC/minute
 环境温度Ambient temperature: -40℃~+105℃
 针座Wafer:LCP UL94V-0

3	③	基座	LCP	1	UL94V-0
2	②	焊片	黄铜	2	镀锡
1	①	接触件	磷青铜	N	镀金
序号	图号	名称	材料	数量	附件

Circuits	Dimension mm			Circuits	Dimension mm		
	A	B	C		A	B	C
2X2	1.25	5.75	4.00	2X12	13.75	18.25	16.50
2X3	2.50	7.00	5.25	2X13	15.00	19.50	17.75
2X4	3.75	8.25	6.50	2X14	16.25	20.75	19.00
2X5	5.00	9.50	7.75	2X15	17.50	22.00	20.25
2X6	6.25	10.75	9.00	2X16	18.75	23.25	21.50
2X7	7.50	12.00	10.25	2X17	20.00	24.50	22.75
2X8	8.75	13.25	11.50	2X18	21.25	25.75	24.00
2X9	10.00	14.50	12.75	2X19	22.50	27.00	25.25
2X10	11.25	15.75	14.00	2X20	23.75	28.25	26.50
2X11	12.50	17.00	15.25				

GENERAL TOLERANCES (UNLESS SPECIFIED)		ZHE JIANG DELI CONNECTORS CO., LTD	
.X: ± 0.25	X°: ± 3.0°	PRODUCT NAME: DL12512 (GHD)-AB-GOLD	TITLE: 1.25 mm Pitch Wire To Board Wafer
.XX: ± 0.15	.X°: ± 2.0°	DR:Chen QuanLong	DATE:22/11/30
.XXX: ± 0.01	.XX°: ± 1.0°	CHKD:Wu Hui	DATE:22/11/30
FINISH:		APPD:Ren AnDe	DATE:22/11/30
DRAWING NO:			
		SCALE: N/A	PAGE: 1/1
		UNITS: mm	REV.: A

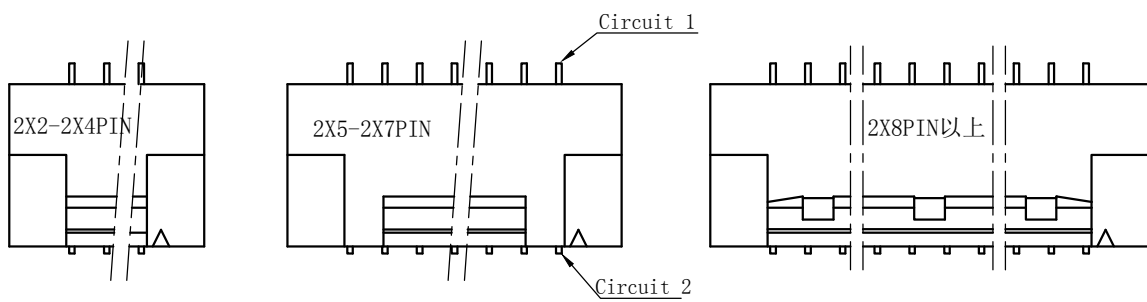
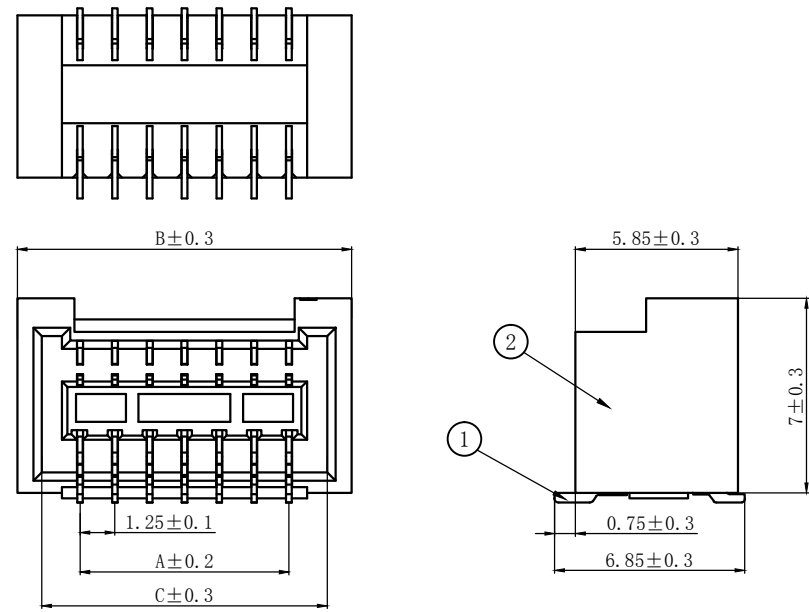


REV.	REVISION DESCRIPTION	DATE	APPD

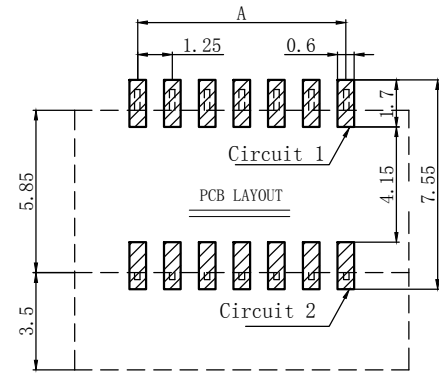
技术特性/Specifications:

额定电压Rated voltage : 50V AC.DC.
 额定电流Rated current : 1.25A AC.DC.
 接触电阻Contact resistance: 50mΩ MAX
 绝缘电阻Insulation resistance: 100 MΩ MIN
 耐压Withstand voltage: 500V AC/minute
 环境温度Ambient temperature: -40℃~+105℃
 针座Wafer:LCP UL94V-0

2	②	基座	LCP	1	UL94 V-0
1	①	接触件	磷青铜	N	镀锡
序号	图号	名称	材料	数量	附件



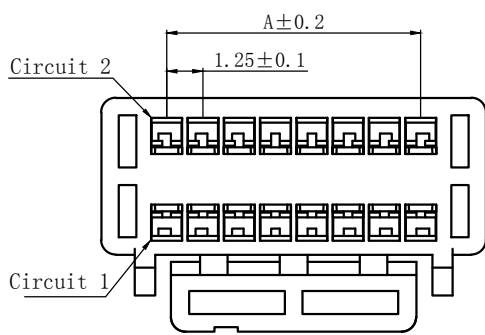
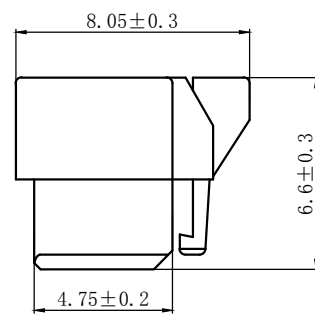
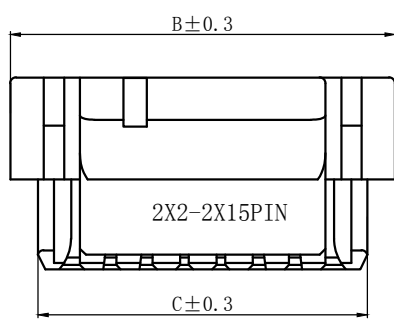
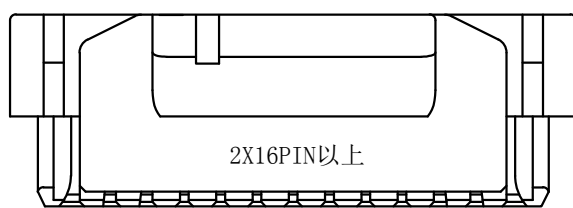
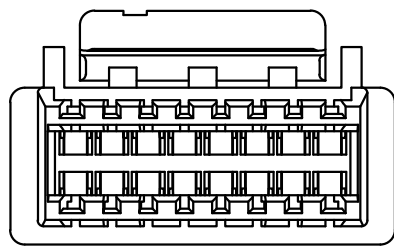
Circuits	Dimension mm			Circuits	Dimension mm		
	A	B	C		A	B	C
2X2	1.25	5.75	4.00	2X12	13.75	18.25	16.50
2X3	2.50	7.00	5.25	2X13	15.00	19.50	17.75
2X4	3.75	8.25	6.50	2X14	16.25	20.75	19.00
2X5	5.00	9.50	7.75	2X15	17.50	22.00	20.25
2X6	6.25	10.75	9.00	2X16	18.75	23.25	21.50
2X7	7.50	12.00	10.25	2X17	20.00	24.50	22.75
2X8	8.75	13.25	11.50	2X18	21.25	25.75	24.00
2X9	10.00	14.50	12.75	2X19	22.50	27.00	25.25
2X10	11.25	15.75	14.00	2X20	23.75	28.25	26.50
2X11	12.50	17.00	15.25				



GENERAL TOLERANCES (UNLESS SPECIFIED)		ZHE JIANG DELI CONNECTORS CO., LTD	
.X: ± 0.25	X°: ± 3.0°	PRODUCT NAME: DL12512 (GHD)-AWB	TITLE: 1.25 mm Pitch Wire To Board Wafer
.XX: ± 0.15	.X°: ± 2.0°	DR:Chen QuanLong	DATE:22/11/30
.XXX: ± 0.01	.XX°: ± 1.0°	CHKD:Wu Hui	DATE:22/11/30
DRAWING NO:		APPD:Ren AnDe	DATE:22/11/30
		SCALE: N/A	PAGE: 1/1
		UNITS: mm	REV.: A

REV.	REVISION DESCRIPTION	DATE	APPD

技术特性/Specifications:
 额定电压Rated voltage : 50V AC.DC.
 额定电流Rated current : 1.25A AC.DC.
 接触电阻Contact resistance: 50mΩ MAX
 绝缘电阻Insulation resistance: 100 MΩ MIN
 耐压Withstand voltage: 500V AC/minute
 环境温度Ambient temperature: -40℃~+105℃
 针座Wafer:PA66 UL94V-0

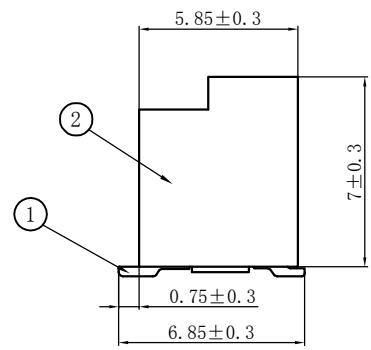
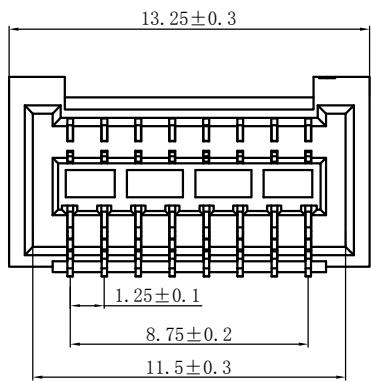
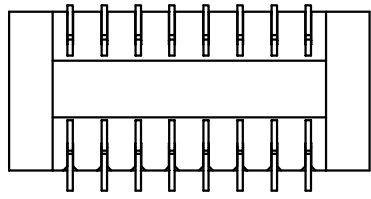


Circuits	Dimension mm			Circuits	Dimension mm		
	A	B	C		A	B	C
2X2	1.25	5.75	3.85	2X12	13.75	18.25	16.35
2X3	2.50	7.00	5.10	2X13	15.00	19.50	17.60
2X4	3.75	8.25	6.35	2X14	16.25	20.75	18.85
2X5	5.00	9.50	7.60	2X15	17.50	22.00	20.10
2X6	6.25	10.75	8.85	2X16	18.75	23.25	21.35
2X7	7.50	12.00	10.10	2X17	20.00	24.50	22.60
2X8	8.75	13.25	11.35	2X18	21.25	25.75	23.85
2X9	10.00	14.50	12.60	2X19	22.50	27.00	25.10
2X10	11.25	15.75	13.85	2X20	23.75	28.25	26.35
2X11	12.50	17.00	15.10				

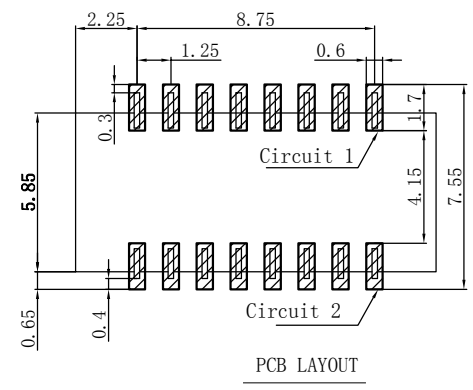
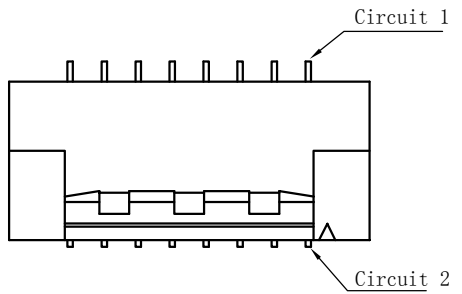
GENERAL TOLERANCES (UNLESS SPECIFIED)		ZHE JIANG DELI CONNECTORS CO.,LTD	
.X: ± 0.25	X°: ± 3.0°	PRODUCT NAME:	TITLE: 1.25 mm Pitch
.XX: ± 0.15	.X°: ± 2.0°	DL12512 (GHD)-Y	Wire To Board Housing
.XXX: ± 0.01	.XX°: ± 1.0°	DR:Chen QuanLong	DATE:22/11/30
FINISH:		CHKD:Wu Hui	DATE:22/11/30
DRAWING NO:	APPD:Ren AnDe	DATE:22/11/30	SCALE: N/A
			PAGE: 1/1
			UNITS: mm
			REV.: A

REV.	REVISION DESCRIPTION	DATE	APPD

技术特性/Specifications:
 额定电压Rated voltage : 50V AC.DC.
 额定电流Rated current : 1.25A AC.DC.
 接触电阻Contact resistance: 50mΩ MAX
 绝缘电阻Insulation resistance: 100 MΩ MIN
 耐压Withstand voltage: 500V AC/minute
 环境温度Ambient temperature: -40℃~+105℃
 针座Wafer:LCP UL94V-0
 颜色Color:黑色Black



2	②	基座	LCP	1	UL94 V-0
1	①	接触件	磷青铜	16	镀锡
序号	图号	名称	材料	数量	附件

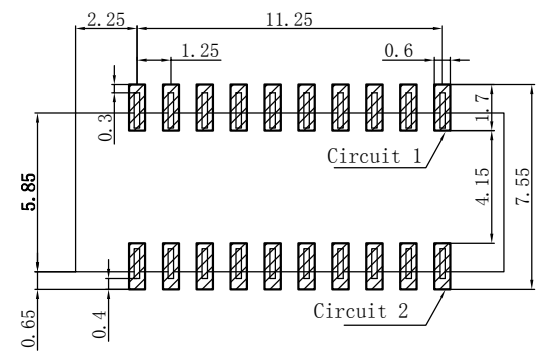
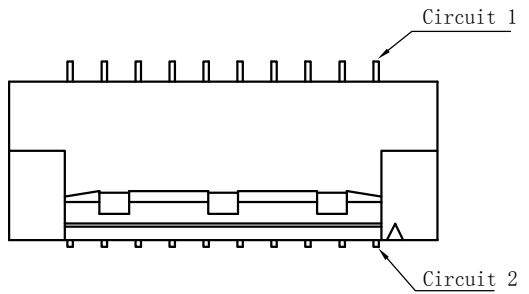
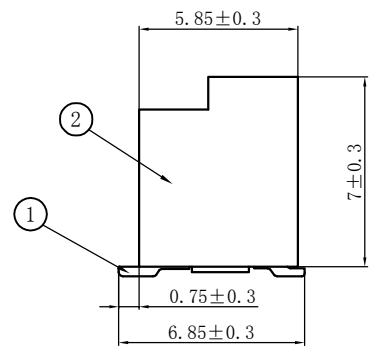
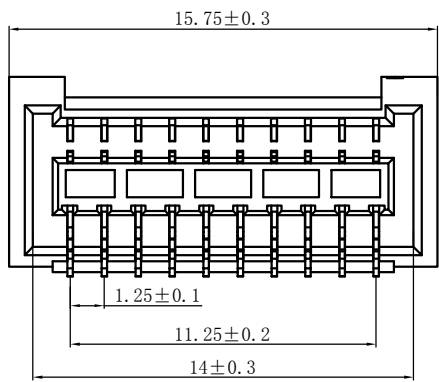
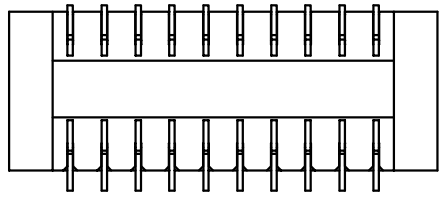


GENERAL TOLERANCES (UNLESS SPECIFIED)		ZHE JIANG DELI CONNECTORS CO., LTD			
.X: ± 0.25	X°: ± 3.0°	PRODUCT NAME: GHD-16AWB-BK		TITLE: 1.25 mm Pitch Wire To Board SMT Wafer	
.XX: ± 0.15	.X°: ± 2.0°	DR: Chen QuanLong	DATE: 22/11/30	PART NO: GHD-16AWB-BK	
.XXX: ± 0.01	.XX°: ± 1.0°	CHKD: Wu Hui	DATE: 22/11/30	SCALE: N/A	PAGE: 1/1
FINISH:		APPD: Ren AnDe	DATE: 22/11/30	UNITS: mm	REV.: A
DRAWING NO: GC-GHD-16AWB-BK					

REV.	REVISION DESCRIPTION	DATE	APPD

技术特性/Specifications:
 额定电压Rated voltage : 50V AC.DC.
 额定电流Rated current : 1.25A AC.DC.
 接触电阻Contact resistance: 50mΩ MAX
 绝缘电阻Insulation resistance: 100 MΩ MIN
 耐压Withstand voltage: 500V AC/minute
 环境温度Ambient temperature: -40℃~+105℃
 针座Wafer:LCP UL94V-0
 颜色Color:黑色Black

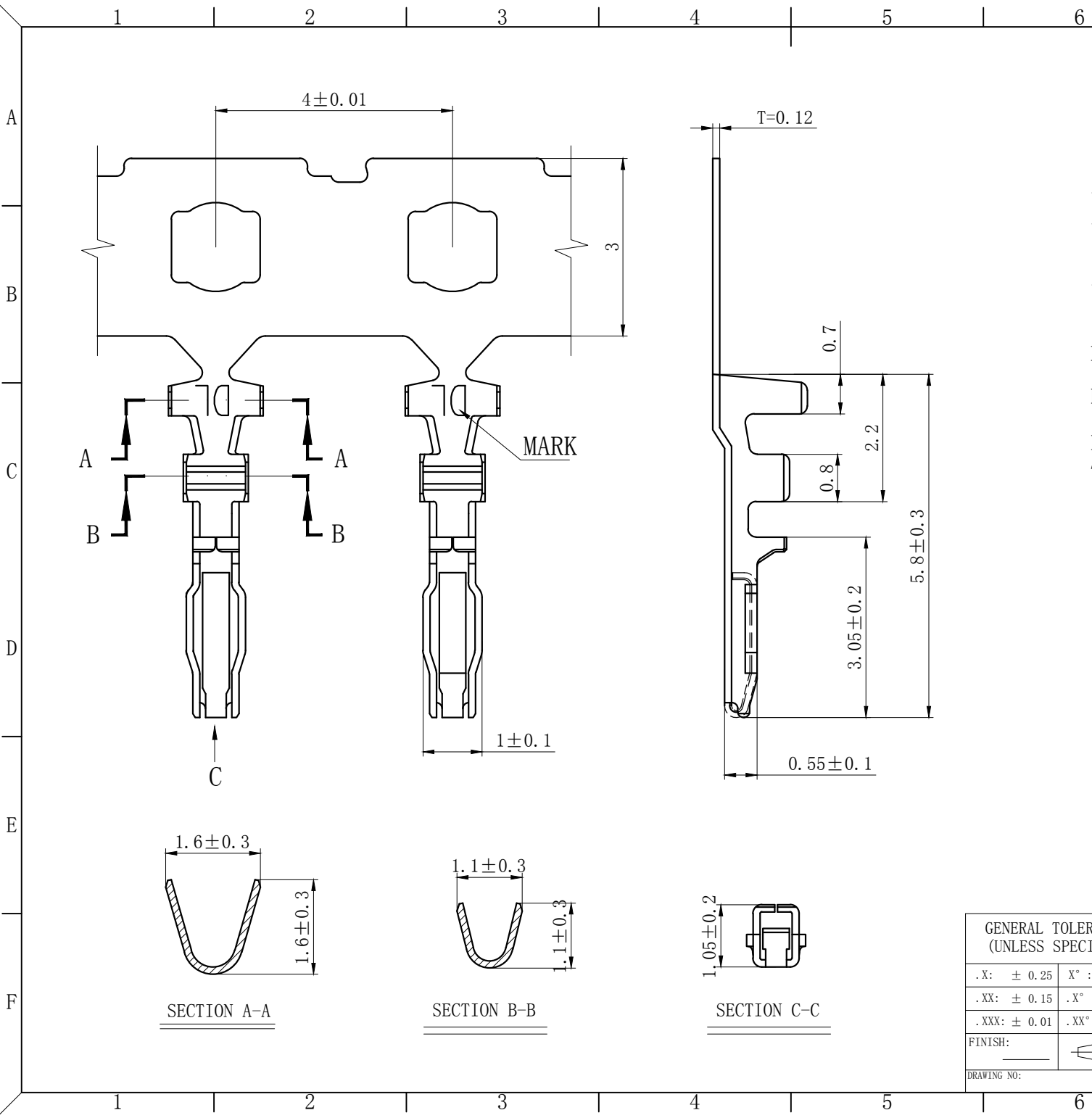
2	②	基座	LCP	1	UL94 V-0
1	①	接触件	磷青铜	20	镀锡
序号	图号	名称	材料	数量	附件



PCB LAYOUT

GENERAL TOLERANCES (UNLESS SPECIFIED)		ZHE JIANG DELI CONNECTORS CO., LTD			
.X: ± 0.25	X°: ± 3.0°	PRODUCT NAME: GHD-20AWB-BK		TITLE: 1.25 mm Pitch Wire To Board SMT Wafer	
.XX: ± 0.15	.X°: ± 2.0°	DR: Chen QuanLong	DATE: 22/11/30	PART NO: GHD-20AWB-BK	
.XXX: ± 0.01	.XX°: ± 1.0°	CHKD: Wu Hui	DATE: 22/11/30	SCALE: N/A	PAGE: 1/1
FINISH:		APPD: Ren AnDe	DATE: 22/11/30	UNITS: mm	REV.: A
DRAWING NO: GC-GHD-20AWB-BK					

REV.	REVISION DESCRIPTION	DATE	APPD



NOTES

Used in DL12512-Y Series Housing.
 Accepts AWG #30~26 Wire Range.
 0.05~ 0.13 mm² .
 Insulation O.D.=0.76~1.0 mm.
 Material : Phosphor Bronze .
 Finish: Tin Plating
 Thickness: 0.12 mm.

GENERAL TOLERANCES (UNLESS SPECIFIED)		ZHE JIANG DELI CONNECTORS CO., LTD	
.X: ± 0.25	X°: ± 3.0°	PRODUCT NAME:	TITLE:
.XX: ± 0.15	.X°: ± 2.0°	DL12512(GHD)-T	1.25 mm Pitch Wire To Board Crimp Terminal
.XXX: ± 0.01	.XX°: ± 1.0°	DR:Chen Quan Long	DATE:22/11/30
FINISH:		CHKD: Wu Hui	DATE:22/11/30
DRAWING NO:		APPD:Ren An De	DATE:22/11/30
		SCALE: N/A	PAGE: 1/1
		UNITS: mm	REV.: A