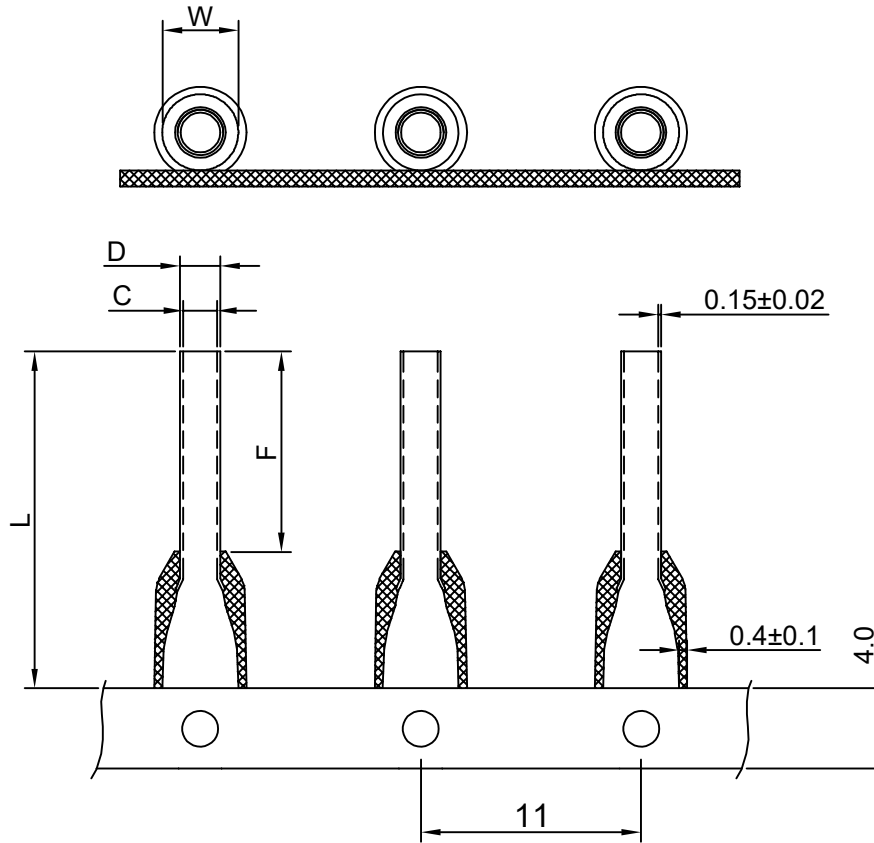


# RoHS

REV	ECN NO.	DESCRIPTION	DESIGN	APPROVAL	DATE
A1	NEW	更换图框			2024.05.24



技术要求:

- 适用电线 (Wire Range) : 16AWG(1.5mm<sup>2</sup>)
- 端子材质 (Terminal Body) : 紫铜 (Copper)
- 塑胶材质 (Insulation) 颜色 (Color) : Nylon 94V-2 French-Black German-Red
- 表面处理 (Plating) : 镀锡 (Tin)
- 符合ROHS 和 REACH 标准
- 未注明尺寸公差为 $\pm 0.2$

X.±0.50	X.°±
.X±0.25	.X°±
.XX±0.15	.XX°±
.XXX±0.10	.XXX°±
UNITS:	mm

PART NO:		EVN1508		<b>XFCN</b> 兴飞连接器	
TITLE:		欧式端子		0769-82001899	
				www.xfconn.com	
				DWG NO: /	
APPD	Chen ZhiQiang	VIEW			
CHKD	Liu Wei	SCALE	SHEET	REV	
DRAW	Chen HongJiang	NONE	1/1	A1	
DATE	2024.08.21				

THESE DRAWINGS AND SPECIFICATIONS ARE THE PROPERTY OF XFCN AND SHALL NOT BE REPRODUCED, COPIED OR CUED IN ANY MANNER WITHOUT THE PRIOR WRITTEN CONSENT OF XFCN

NO	Item No.料号	L±0.5	F±0.3	W±0.2	D±0.1	C±0.1
EVN15	EVN1518-N	24.50	18.00	3.70	2.10	1.80
EVN15	EVN1512-N	18.50	12.00			
EVN15	EVN1510-N	16.50	10.00			
EVN15	EVN1508-N	14.50	8.00			
Size mm						

8	7	6	5	4	3	2	1
E							E
D							D
C							C
B							B
A							A
8	7	6	5	4	3	2	1