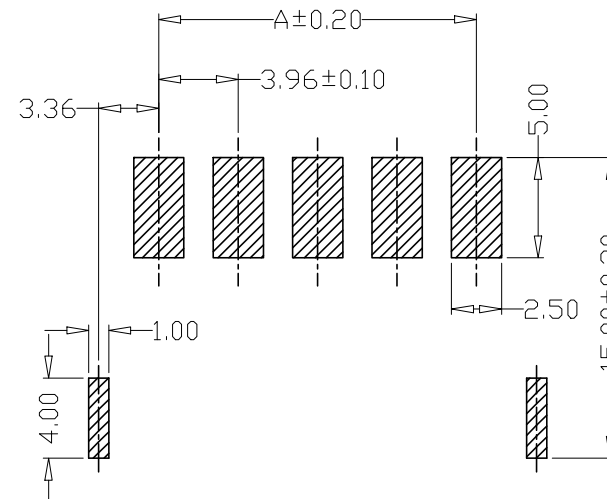
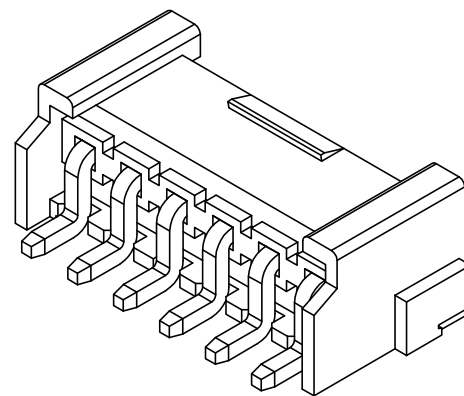
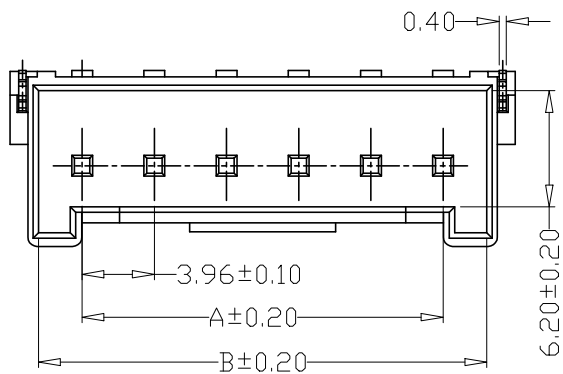
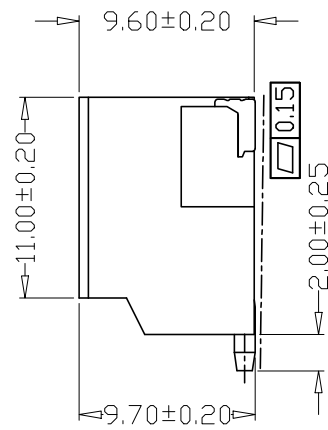
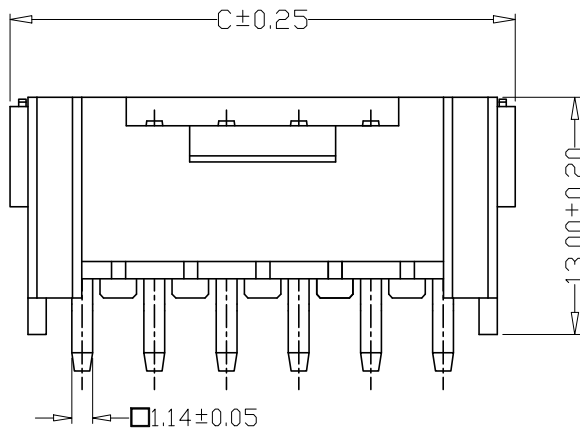


REV	ECN NO.	LOCAS.	DESCRIPTION	DATE	DESIGN
A			NEW DRAWING		



PCB LAYOUT

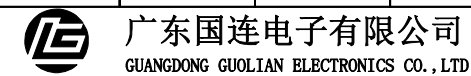


PIN	尺寸 (mm)		
	A	B	C
-02AWB	3.96	8.68	11.88
-03AWB	7.92	12.64	15.84
-04AWB	11.88	16.60	19.80
-05AWB	15.84	20.56	23.76
-06AWB	19.80	24.52	27.72
-07AWB	23.76	28.48	31.68
-08AWB	27.72	32.44	35.64
-09AWB	31.68	36.40	39.60
-10AWB	35.64	40.36	43.56
-11AWB	39.60	44.32	47.52
-12AWB	43.56	48.28	51.48

SPECIFICATIONS

- 1、Current Rating: 7A AC, DC
- 2、Voltage Rating: 250V AC, DC
- 3、Temperatuer Range: -25°C~+85°C
- 4、Contact Resistance: 20mΩ Max
- 5、Insulation Resistance: 1000MΩ Min
- 6、Withstanding Voltang: 1500V AC/minute
- 7、Material: Wafer PA9T, UL94V-0
PIN Brass Tin-plated
Solder tad Brass Tin-plated

DESIGN:	Xiping Huang		
CHECK:	Ke Tian		
APPROVED:	Youquan Xu		
DIM	TOL	DIM	TOL
X.	±0.25	X°	±3.0°
X.X	±0.20	X.X°	
X.XX	±0.15	X.XX°	
X.XXX		X.XXX°	



TITLE:	VH3.96贴片		
PART NO.	VH3.96-NPWB		
REV.	A	SCALE:	N/A
UNIT:	mm	SHEET:	1/1