



钰地半导体
Tudi Semiconductor

Tudi Semiconductor

Product Specification

TUDI-MAX1487E

Low-Power, Slew-Rate-Limited RS485/RS422 Transceivers

网址 www.sztdbdt.com 🔍

用芯智造 · 卓越品质

**semiconductor device
manufacturer**

- Design
- research and development
- production
- and sales

FEATURES

- Thermal shutdown protection ;
- Low-Current Shutdown Mode ;
- True Fail-Safe Receiver ;
- Excellent noise immunity ;
- 2.5Mbps in Electrically Noisy Environments ;
- Hot-Swap Input Structures on DE and /RE ;
- 5V Power Supply, Half-duplex ;
- allows up to 32 transceivers on the bus ;
- Short-circuit protection ;

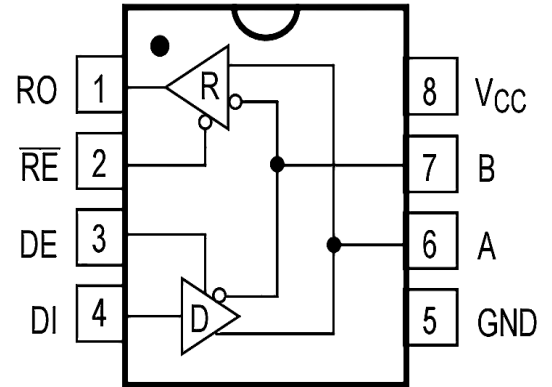


Figure 1. Pin Diagram

Description

The MAX1487E is a low-power, RS-485/RS-422 transceiver for harsh environments. Each driver output and receiver input is protected against $\pm 15\text{kV}$ electrostatic discharge (ESD) with no latch-up. These parts contain one driver and one receiver. MAX1487E's driver rise time is unconstrained, allowing them to transmit up to 2.5Mbps. These transceivers consume only $120\mu\text{A}$ of supply current with the drivers disabled and the line fully loaded. All parts operate from a single 5V supply. The short-circuit current is limited, and shutdown circuitry is provided to place the outputs into a high-impedance state to prevent excessive power dissipation. The receiver input has a fail-safe feature that guarantees the to be logic high if it is open. The MAX1487E has a quarter-unit load receiver input impedance, allowing up to 128 transceivers on the bus. The MAX1487E is designed for half-duplex applications.

FUNCTION TABLES

		TRANSMITTING				RECEIVING			
CTR	/RE	X	X	0	1	0	0	0	1
	DE	1	1	0	0	X	X	X	X
INPUTS	DI	1	0	X	X				
	A-B					$\geq -10\text{mV}$	$\leq -200\text{mV}$	Open/shorted	X
OUTPUTS	A	H	L	Z					
	B	L	H	Z					
	RO					H	L	H	Z

X: Don't care; Z: high impedance.



Pin description

Pin Number	Pin Name	FUNCTION
1	RO	Receiver Output. When enabled, if $A-B \geq -10\text{mV}$, then $RO = \text{high}$. If $A-B \leq -200\text{mV}$, then $RO = \text{low}$
2	/RE	Receiver Output Enable. A low level enables the RO; a high level places it in a high impedance state.
3	DE	Driver Output Enable. A high level enables the driver differential outputs, Pin A and Pin B; a low level places the driver in a high impedance state.
4	DI	Driver Input. When the driver is enabled, a logic low on DI forces Pin A low and Pin B high; a logic high on DI forces Pin A high and Pin B low.
5	GND	Ground Connection (0V).
6	A	No inverting Receiver Input A/Driver Output A
7	B	Inverting Receiver Input B/Driver Output B.
8	VCC	Power Supply

Parameter limit

PARAMETER	Symbol	Value	Unit
CTR Port	/RE, DE, DI	$-0.3 \sim V_{CC} + 0.3$	V
Driver Output Voltage	A, B	$-7 \sim 13$	V
Receiver Output Voltage	RO	$-0.3 \sim V_{CC} + 0.3$	V
Supply Voltage	VCC	+7	V
Continuous Power Dissipation	MSOP8, SOP8, DIP8	830	mW
Soldering Temperature (reflow)		300	°C
Storage Temperature Range		$-60 \sim 150$	°C
Temperature Range		$-40 \sim 85$	°C

Stresses beyond those listed under “Parameter limit” may cause permanent damage to the device. These are stress ratings only and functional operation of the device at these or any other conditions beyond those indicated in the operational sections of the specifications are not implied. Exposure to absolute maximum rating conditions for extended periods may affect device reliability



PARAMETER	SYMBOL	CONDITIONS	MIN	TYP	MAX	UNITS
SWITCHING CHARACTERISTICS OF RECEIVER						
Receiver Enable to Output Low	tRZL	CL=100 pF, S1closed		20	50	ns
Receiver Enable to Output High	tRZH	CL=100 pF, S2 closed		20	50	ns
Receiver Disable Time from Low	tRLZ	CL=100 pF,		20	50	ns
Receiver Disable Time from High	tRHZ	CL=100pF, S2 closed		20	50	ns
Receiver Propagation Delay (low to high)	tRPLH	Fig 7 and 8 VD≥2.0V; Rise and fall time VID≤15ns		50	200	ns
Receiver Propagation Delay (high to low)	tRPHL			50	200	ns
tRPLH-tRPHL	tsKEW2			13	15	ns
SWITCHING CHARACTERISTICS OF DRIVER						
Driver Enable to Output High	tDzH	CL=100 pF, S1 closed (Fig 5,6)			70	ns
Driver Enable to Output Low	tDzL				70	ns
Driver Disable Time from Low	tDLz	CL=15 pF, S2 closed (Fig 5,6)			70	ns
Driver Disable Time from High	tDHz				70	ns
Driver Propagation Delay(low to high)	tDPLH	RDIFF=54Ω, CLi=CL ₂ =100pF (Fig 3,4)		60		ns
Driver Propagation Delay (high to low)	tDPhL			60		ns
tDPLH-tDPhL	tsKEW1			5	±10	ns
Driver Differential Output Rise or Fall Time	tDR,tDF				40	



PARAMETER	SYMBOL	CONDITIONS	MIN	TYP	MAX	UNITS
SUPPLY CURRENT						
Supply Current	I _{cc1}	/RE=0V or VCC, DE=0V		200	500	uA
	I _{cc2}	/RE=VCC, DE=VCC		300	600	uA
	I _{cc3}	/RE=0, DE=VCC		0.5	10	uA
DC ELECTRICAL CHARACTERISTICS OF RECEIVER						
Receiver Input Resistance	R _N	-7V ≤ V _{cM} ≤ 12V	12			kΩ
Receiver Output Short-Circuit	I _{osR}	0V ≤ V _o ≤ VCC	±7		±95	mA
RO Output-Low Voltage	V _{oL}	I _{oUT} = +4mA, V _{ID} = -200 mV			0.4	V
Three-State Output Current at Receiver	I _{ozR}	0.4V < V _o < 2.4V			±1	uA
Receiver Input Hysteresis	V _{hys}	-7V ≤ V _{cM} ≤ 12V		30		mV
RO Output-High Voltage	V _{oH}	I _{oUT} = -4mA, V _{ID} = +200 mV	3.5			V
Positive-going input threshold voltage	V _{IT+}	-7V ≤ V _{cM} ≤ 12V			-10	mV
Negative-going input threshold voltage	V _{IT-}	-7V ≤ V _{cM} ≤ 12V	-200			mV
Input Current(A,B)	I _{N2}	DE=0V, VCC=0 or 5V			1.0	mA
		DE=0V, VCC=0 or 5V	0.8			mA

NOTE

If no special situation occurs , VCC=5V±5% ,Temp=T^{MIN}~T^{MAX} , typically VCC=+5V , Temp = 25



PARAMETER	SYMBOL	CONDITIONS	MIN	TYP	MAX	UNITS
DC ELECTRICAL CHARACTERISTICS OF DRIVER						
Input High Voltage	VH	DE,DI,/RE	2.0			V
Input Low Voltage	Vn	DE,DI,/RE			0.8	V
Input Current (RE,DI,/RE)	IN1	DE,DI,/RE	-2		2	uA
Thermal-Shutdown Threshold				150		°C
Thermal-Shutdown Hysteresis				20		°C
Differential Driver Output(no load)	VoD1			5		V
Differential Driver Output	VoD2	Fig 2,RL=27Ω	1.5		VCC	V
		Fig 2,RL=50	2		VCC	
Change in Magnitude of Differential Output Voltage (NOTE1)	ΔVoD	Fig 2,RL=27Ω			0.2	V
Driver Common-Mode Output Voltage	Voc	Fig 2,RL=27Ω			3	V
Change In Magnitude of Common- Mode Voltage (NOTE1)	ΔVoc	Fig 2,RL=27Ω			0.2	V
Driver Short-Circuit Output Current (short to high)	IosD ₁	Short to 0V~12V	35		250	mA
Driver Short-Circuit Output Current (short to low)	IosD ₂	Short to -7V~0V	-250		-35	mA

TEST CIRCUIT

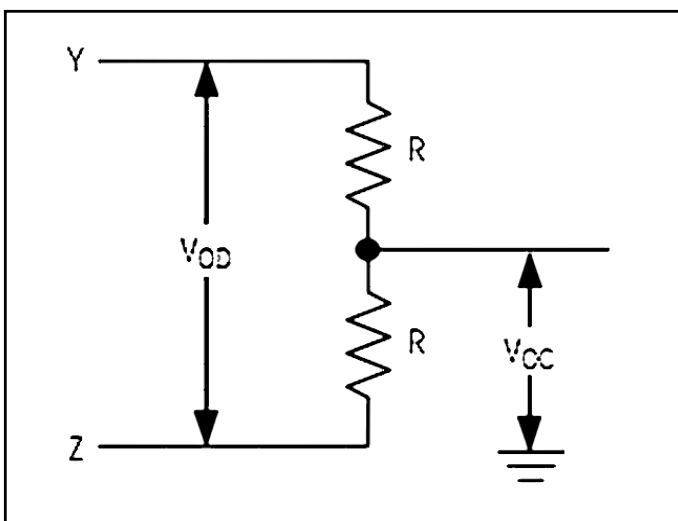


Fig 2 Driver DC Test Load

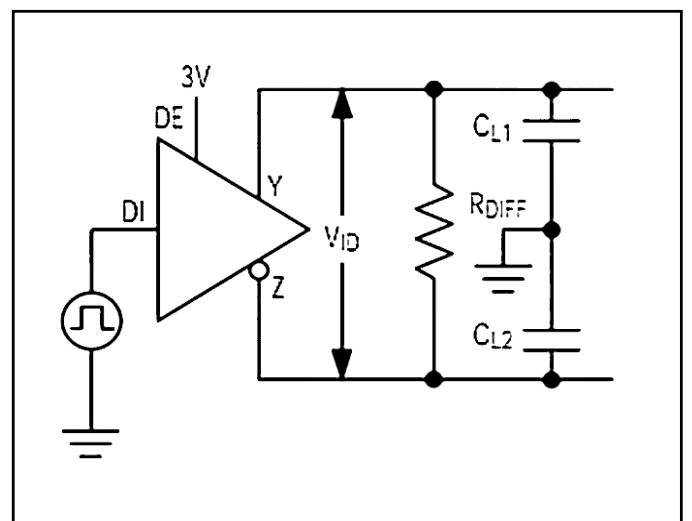


Fig 3 Driver Timing Test Circuit

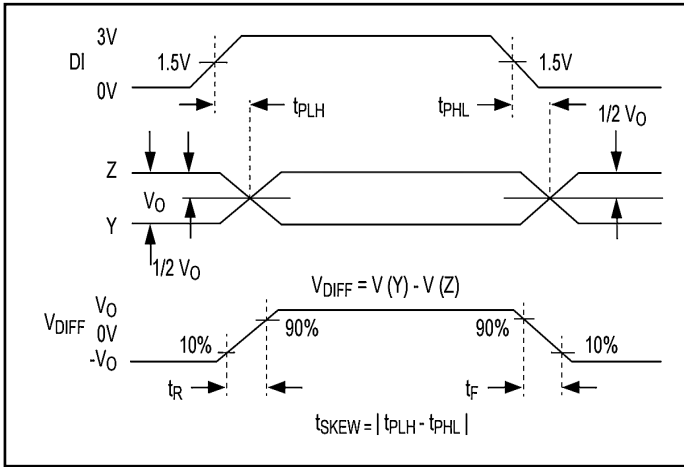


Fig 4 Driver Propagation Delays

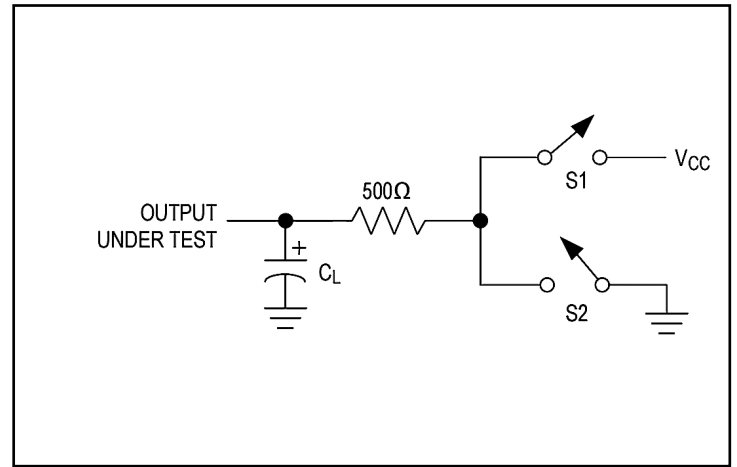


Fig 5 Driver Enable/Disable Timing Test Load

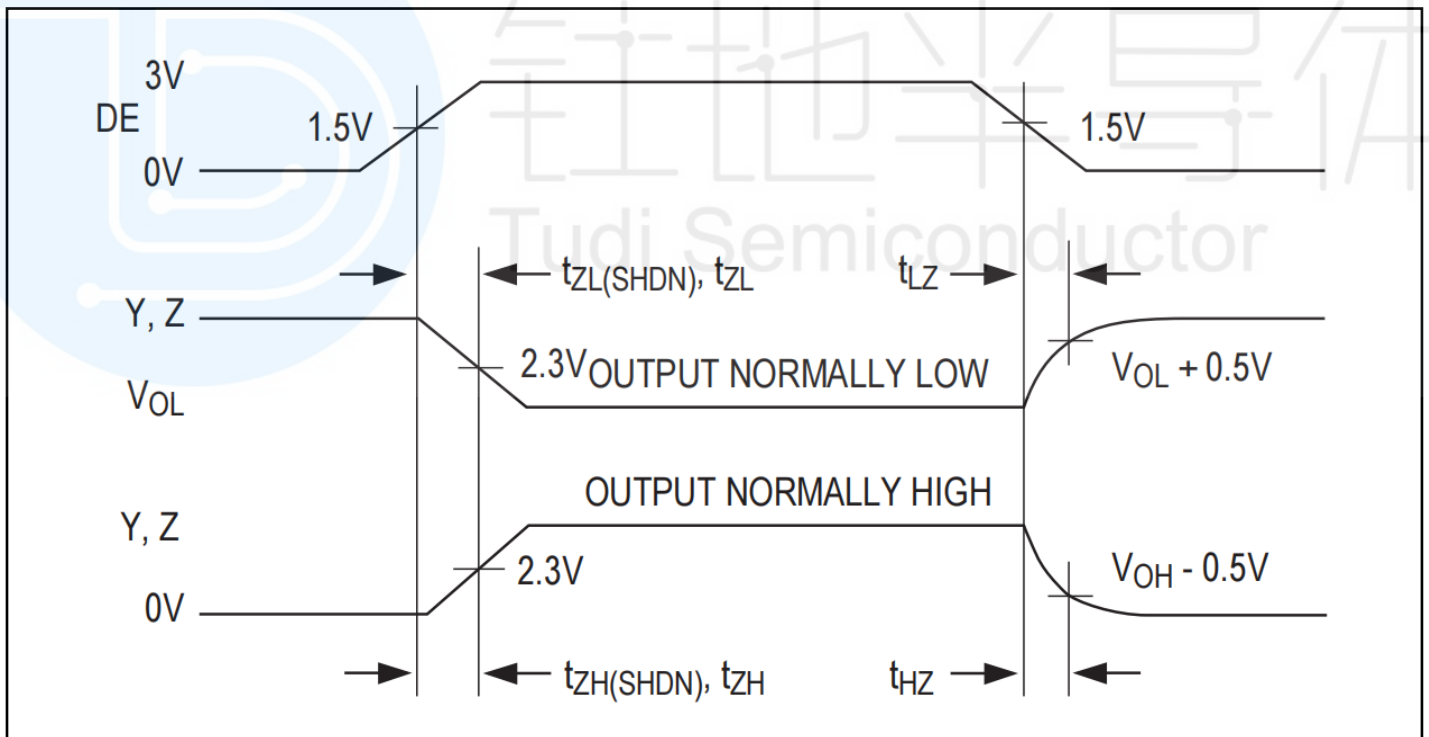


Fig 6 Driver Enable and Disable Times

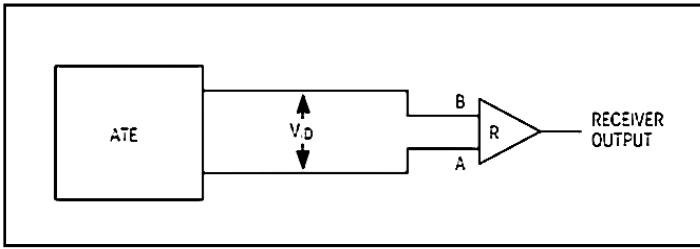


Fig 7 Receiver Propagation Delay Test Circuit

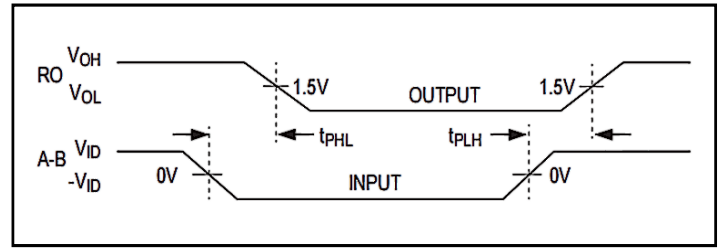


Fig 8 Receiver Propagation Delays

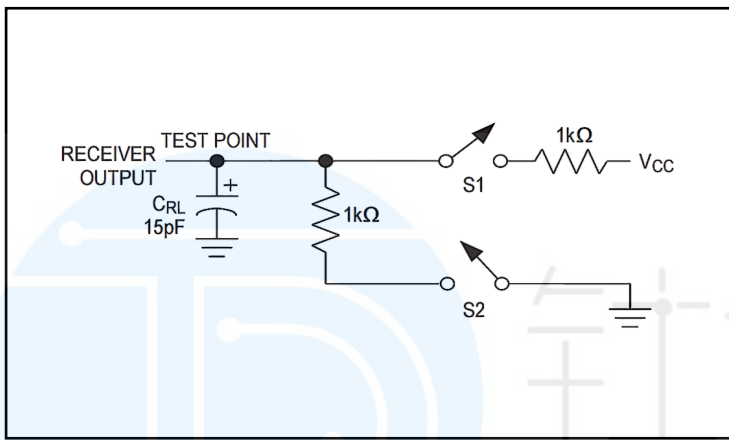


Fig 9 Receiver Enable/Disable Timing Test Load

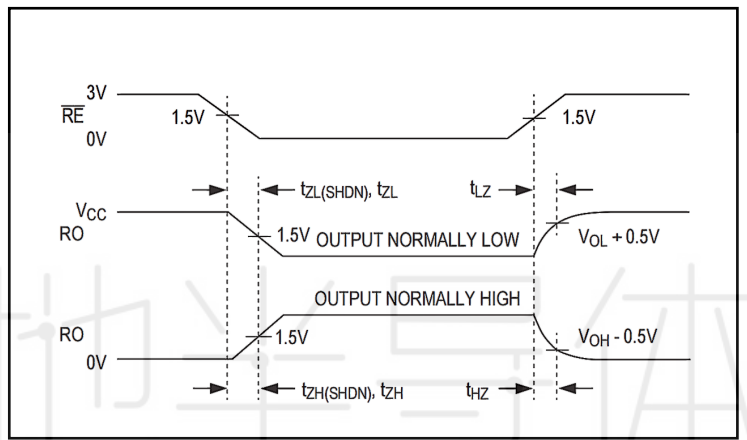


Fig 10 Receiver Enable and Disable Times

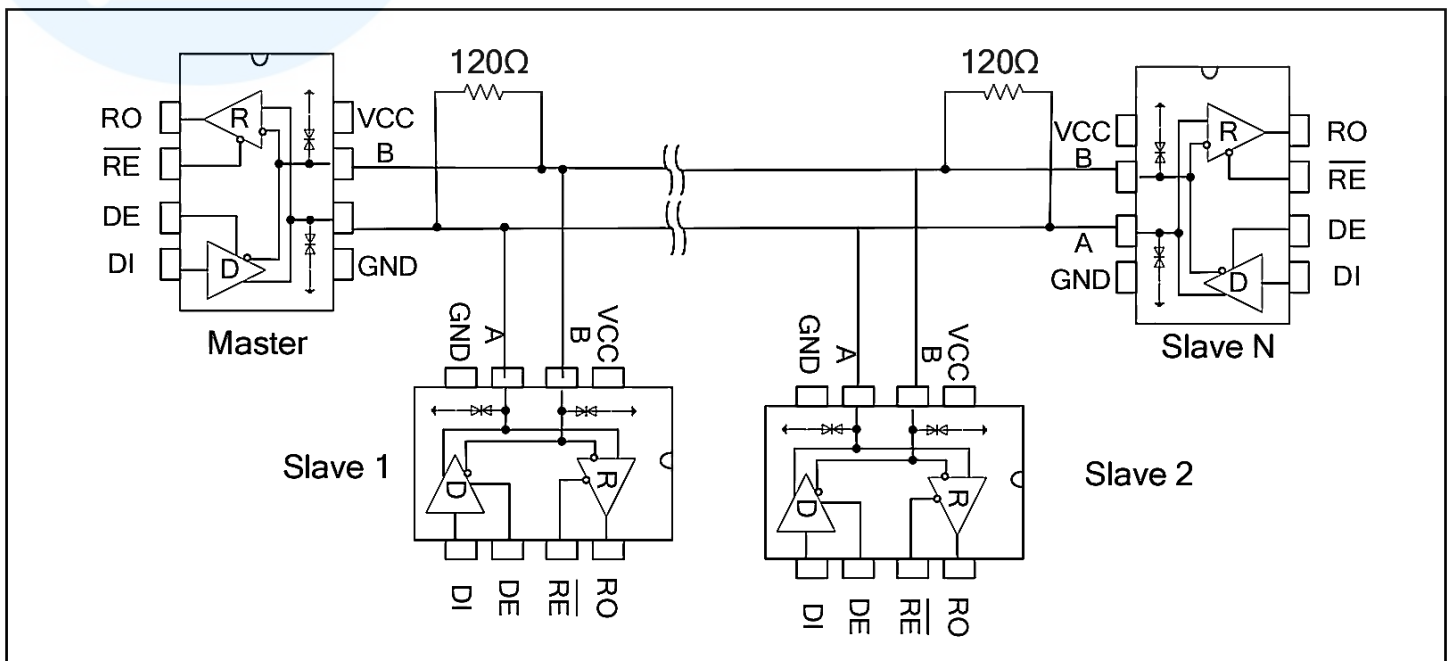


Fig11 Backbone cable type RS485 communications network

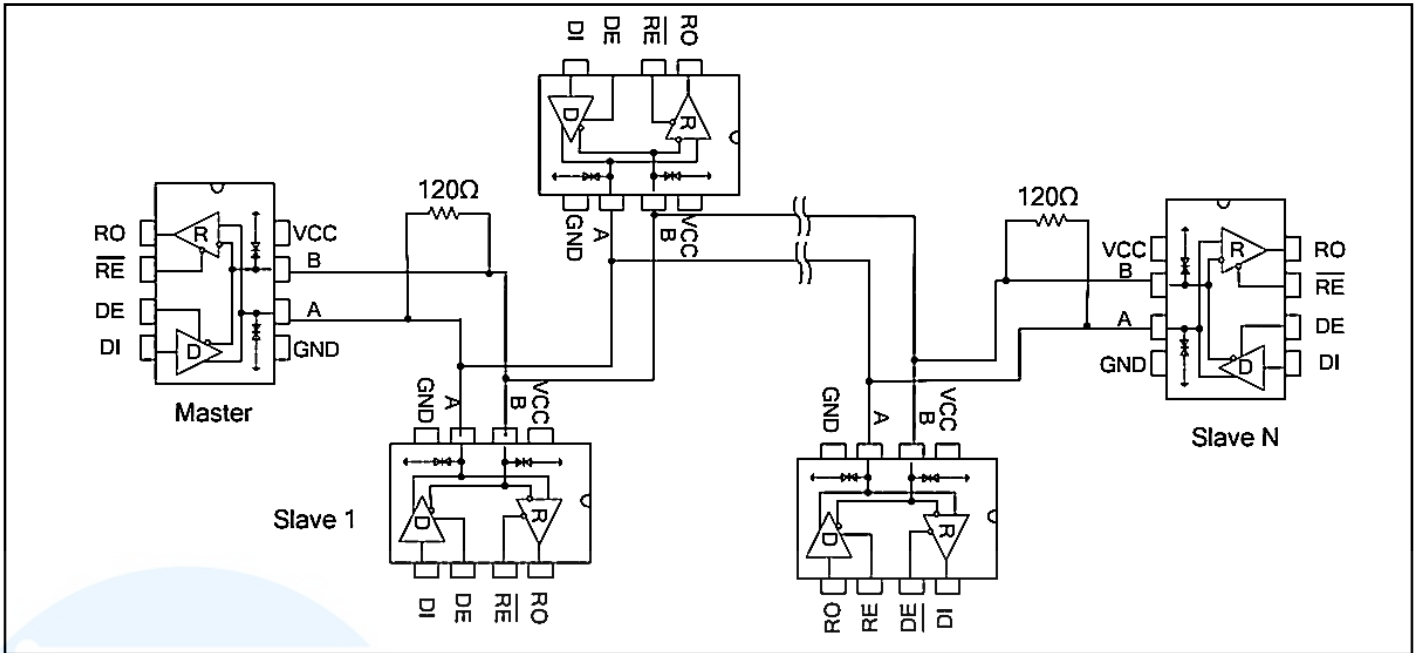


Fig12 Daisy chain topology type RS485 communications network

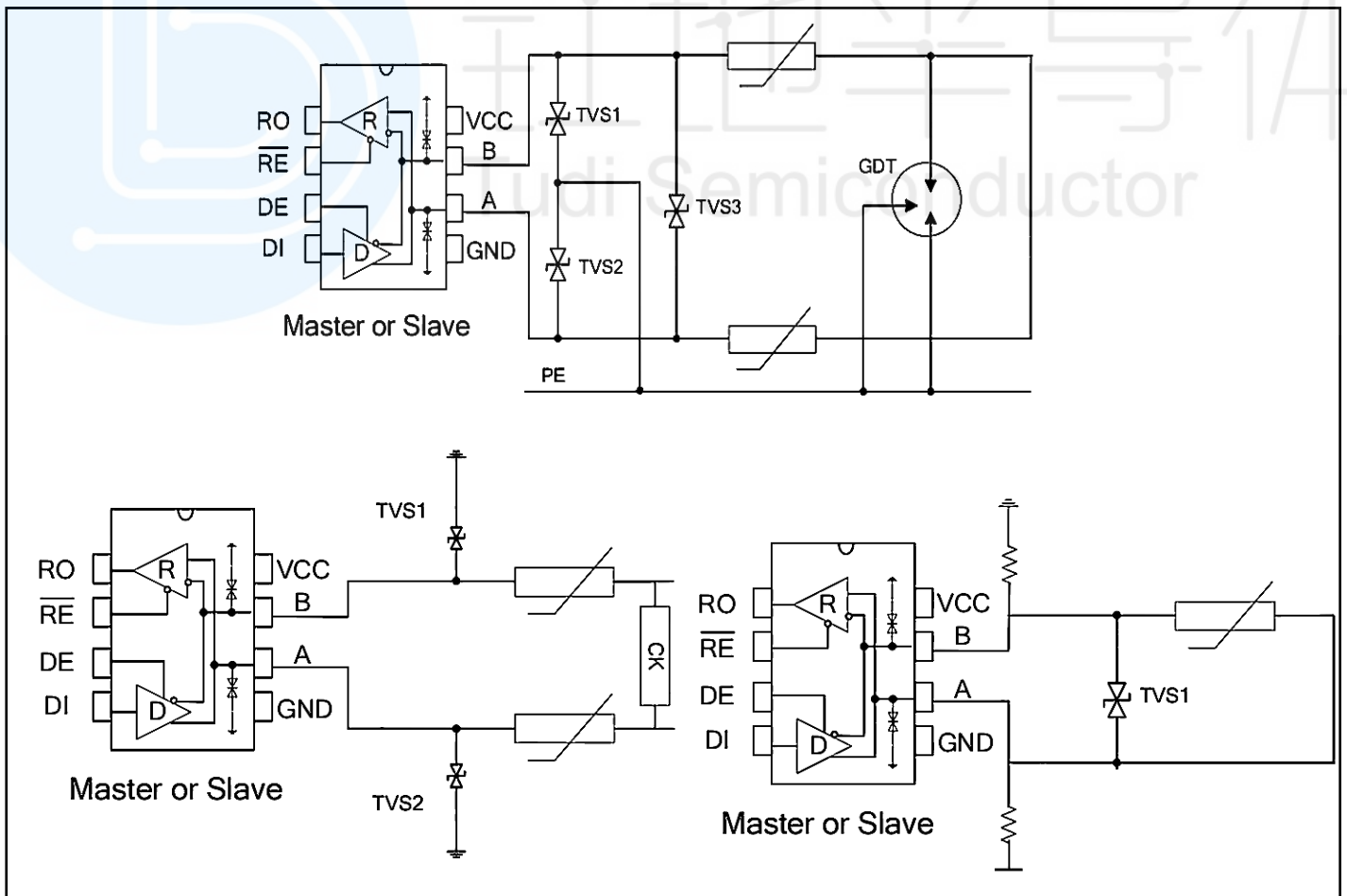


Fig13 RS485 bus ports Protection configuration



Additional description

Description

1487E, including a driver and a receiver, is a half-duplex high-speed transceivers for RS485 / RS-422 communications. 1487E features fail-safe, overvoltage protection, overcurrent protection, thermal protection, and allows / RE, DE hot-swappable. The 1487E allows an error-free data transmission up to 2.5Mbps.

Typical Application

Backbone cable type: 1487E transceiver is designed for multi-point bi-directional data communication bus transmission lines. Figure 11 shows a typical network application circuit. These devices can also be used as a cable longer than 4,000 feet of line repeater, to reduce the reflection, the transmission line should be in its ends terminated in its characteristic impedance, and stub lengths off the main line should be as short as possible. Hand in hand type: Also known as daisy chain topology, is the prior RS485 bus topology recommended by the TIA organization. The routing method is the master device and a number of slave devices connected in hand-handle configuration, as shown in Figure 12. It should be noted that hand in handle means no branch line. This kind of topology has the advantages of small reflection and high rate of success communication. The bus port protection: In harsh environments, RS485 communication ports are usually done with static protection, lightning surge protection, and other additional protection, even prepared to prevent 380V electricity access by mistake. To avoid the destruction of intelligent instruments and industrial control host, figure 13 demonstrates three general kinds of RS485 bus port protection configuration.

Connecting 32 Transceivers on one Bus

The standard 1487E receiver input impedance is guaranteed $>12k\ \Omega$, the standard driver can drive up to 32 unit loads. These devices can be any combination, or in combination with other RS485 transceiver combination, as long as the total load does not load more than 32 units, can be connected on the same bus.

Drive Output Protection

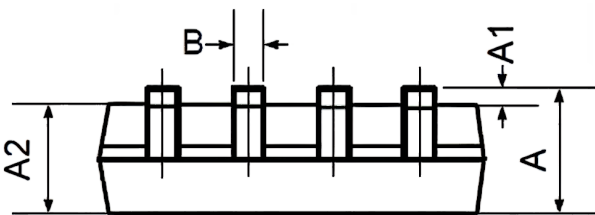
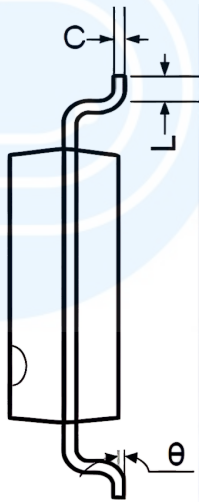
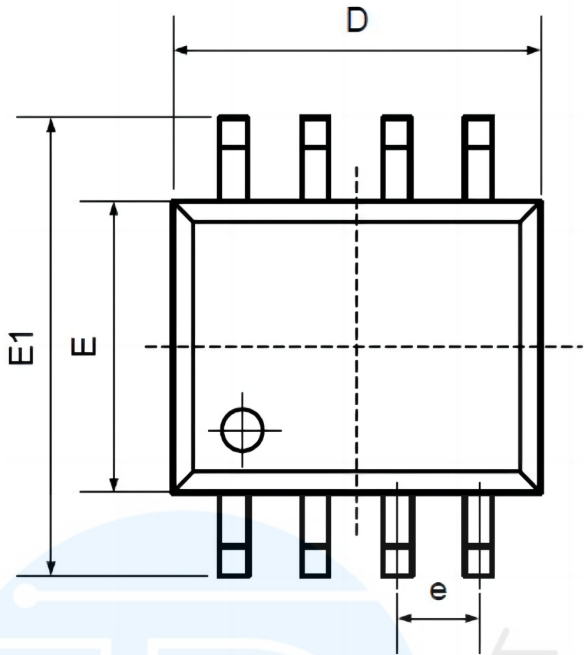
Through two mechanisms to avoid failure or a bus contention causes power consumption is too high. First, in the entire common Mode voltage range, overcurrent protection circuit provides a fast short protection. Second, when the die temperature exceeds 150°C , driver output is forced into a high impedance state by the thermal shutdown circuit.

Fail Safe

When the receiver inputs are shorted or open, or when they are connected to a terminated transmission line with all drivers disabled, 1487E guarantees a logic-high receiver output. This is done by the receiver input thresholds are set between -10mV and -200mV . If the differential receiver input voltage $(A-B) \geq -10\text{mV}$, RO is logic high; if the voltage $(A-B) \leq -200\text{mV}$, RO is logic low. When attached to the terminal all transmitters on the bus are disabled, the receiver differential input voltage is pulled to 0V by the termination resistor. With the receiver threshold of the 1487E, this results in a logic-high with a 10mV minimum noise margin. The -10mV to -200mV threshold complies with the $\pm 200\text{mV}$ EIA/TIA-485 standard.



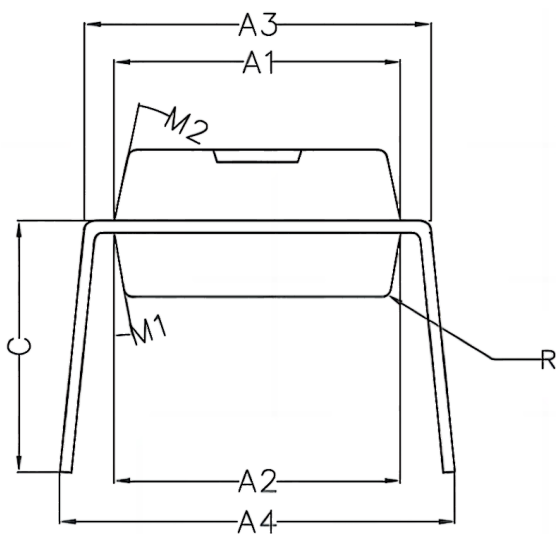
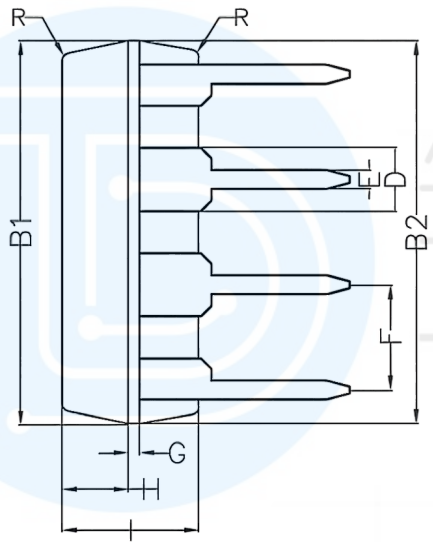
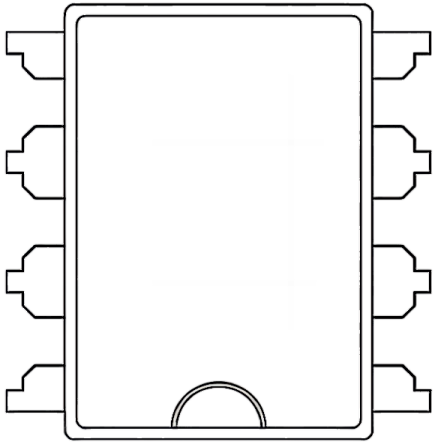
Package SOP8



Symbol	Dimensions In Millimeters		Dimensions In Inches	
	Min	Max	Min	Max
A	1.350	1.750	0.053	0.069
A1	0.100	0.250	0.004	0.010
A2	1.350	1.550	0.053	0.061
B	0.330	0.510	0.013	0.020
C	0.190	0.250	0.007	0.010
D	4.780	5.000	0.188	0.197
E	3.800	4.000	0.150	0.157
E1	5.800	6.300	0.228	0.248
e	1.270TYP		0.050TYP	
L	0.400	1.270	0.016	0.050
θ	0°	8°	0°	8°



Package DIP8



Symbol	Min	Non	Max
A1	6.28	6.33	6.38
A2	6.33	6.38	6.43
A3	7.52	7.62	7.72
A4	7.80	8.40	9.00
B1	9.15	9.20	9.25
B2	9.20	9.25	9.30
C		5.57	
D		1.52	
E	0.43	0.45	0.47
F		2.54	
G		0.25	
H	1.54	1.59	1.64
I	3.22	3.27	3.32
R		0.20	
M1	9°	10°	11°
M2	11°	12°	13°



Order information

Order Number	Package	Package Quantity	Marking On The park	Temperature
MAX487ECPA-TUDI	DIP8	Tube,50,A box of 2000	MAX487ECPA	0°C to 70°C
MAX487ECSA-TUDI	SOP8	Tape,Reel,2500	MAX487ECSA	
MAX487EEPA-TUDI	DIP8	Tube,50,A box of 2000	MAX487EEPA	- 40°C to 85°C
MAX487EESA-TUDI	SOP8	Tape,Reel,2500	MAX487EESA	



Important statement:

- TUDI Semiconductor reserves the right to modify the product manual without prior notice! Before placing an order, customers need to confirm whether the obtained information is the latest version and verify the completeness of the relevant information.
- Any semi-guide product is subject to failure or malfunction under specified conditions. It is the buyer's responsibility to comply with safety standards when using TUDI Semiconductor products for system design and whole machine manufacturing. And take the appropriate safety measures to avoid the potential in the risk of loss of personal injury or loss of property situation!
- TUDI Semiconductor products have not been licensed for life support, military, and aerospace applications, and therefore TUDI Semiconductor is not responsible for any consequences arising from the use of this product in these areas.
- If any or all TUDI Semiconductor products (including technical data, services) described or contained in this document are subject to any applicable local export control laws and regulations, they may not be exported without an export license from the relevant authorities in accordance with such laws.
- The specifications of any and all TUDI Semiconductor products described or contained in this document specify the performance, characteristics, and functionality of said products in their standalone state, but do not guarantee the performance, characteristics, and functionality of said products installed in Customer's products or equipment. In order to verify symptoms and conditions that cannot be evaluated in a standalone device, the Customer should ultimately evaluate and test the device installed in the Customer's product device.
- TUDI Semiconductor documentation is only allowed to be copied without any alteration of the content and with the relevant authorization. TUDI Semiconductor assumes no responsibility or liability for altered documents.
- TUDI Semiconductor is committed to becoming the preferred semiconductor brand for customers, and TUDI Semiconductor will strive to provide customers with better performance and better quality products.