



GT-PH2541 D V 25 - 2 XX X XX X 31

G-Switch

Series No

Termpoint
D-DIP

ANGLE
V-180°

Height
25-2.5mm

Material
B-PBT
C-PA6T
E-PA9T
D-LCP
F-PA66

Terminal Plating
11- All G/F

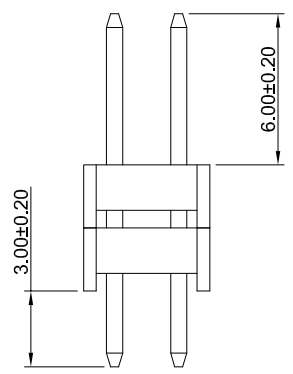
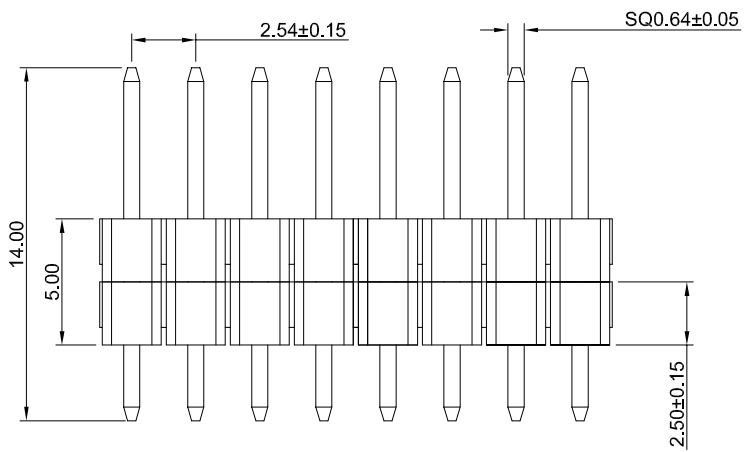
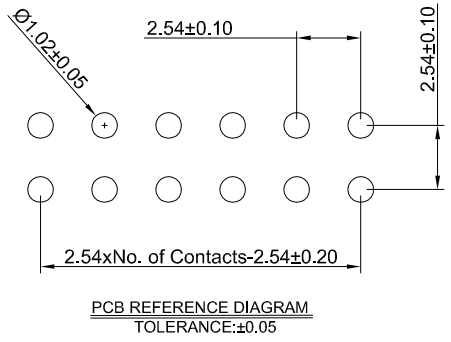
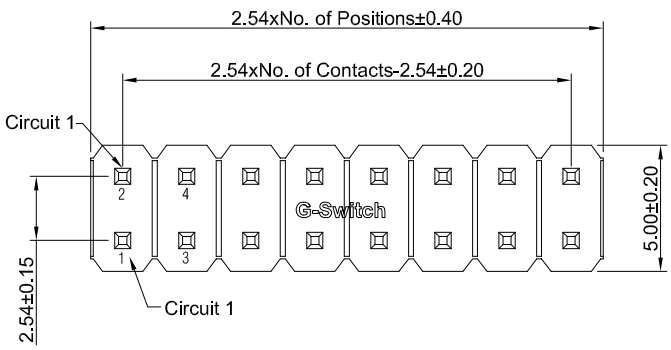
Housing Colour
B-Black

Pin Q' PY
02-80

Row number
2-Double Rows

- G-Switch Specification:**
- 1.Current rated: 3.0A AC/DC
 - 2.Voltage rating: 500V AC/DC
 - 3.Withstanding voltage: 1000V AC for 1 min
 - 4.Contact resistance: 20mΩ max.
 - 5.Insulation resistance: 1000MΩ min
 - 6.Durability cycle: 100Cycles
 - 7.Removal force: 0.80kgf/Pin min
 - 8.Operating temperature range: -40°C ~ +105°C

2	PIN MATERIAL	BARSS	ALL G/F
1	HOUSING	PA6T,94V-0	BLACK
NO.	PART NAME	MATERIAL	REMARK



SCALE: 1:1 UNIT: mm
 SIZE: A4

Unless otherwise General Tolerance:
 X ±0.40
 X.x ±0.30
 X.xx ±0.20
 X° ±5°
 X.x° ±3°

Title: Vertical 2.54mm Pitch Pin Header
 Double Rows SMT Type 2×NP

Molde Code: GT-PH2541DV25-2XXXXXX31

DRAWN	CHECKED	APPROVED	DATE
Hu	Chen	Chen	2022,12,28



REV: A0 SHEET: 1/1

