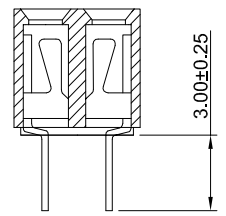
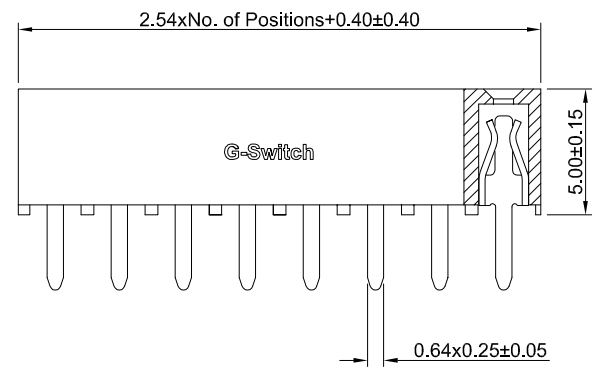


GT-FH2541 D V 50 - 2 XX X XX X 01

G-Switch	Material B-PBT C-PA6T E-PA9T D-LCP F-PA66
Series No	Terminal Plating 11- All G/F
Termpoint D-DIP	Housing Colour B-Black
ANGLE V-180°	Pin Q' PY 04-80
Height 50-5.0mm	Row number 2-Double Rows



- G-Switch Specification:**
- 1.Current rated: 3.0A AC/DC
 - 2.Voltage rating: 500V AC/DC
 - 3.Withstanding voltage: 1000V AC for 1 min
 - 4.Contact resistance: 20mΩ max.
 - 5.Insulation resistance: 1000MΩ min
 - 6.Durability cycle: 100Cycles
 - 7.Removal force: 0.60kgf/Pin min
 - 8.Operating temperature range: -40°C ~ +105°C

2	PIN MATERIAL	BARSS	ALL G/F
1	HOUSING	PA6T,94V-0	BLACK
NO.	PART NAME	MATERIAL	REMARK



SCALE: 1:1 UNIT: mm
SIZE: A4

Unless otherwise General Tolerance:
X ±0.40
X.x ±0.30
X.xx ±0.20
X° ±5°
X.x° ±3°

Title: FH 2.54mm Pitch Pin Header Dual Dow
DIP Type 2xNP PC3.00mm

Molde Code: GT-FH2541DV50-2XXXXXX01			
DRAWN	CHECKED	APPROVED	DATE
Hu	Hu	Chen	2022.12.20



REV: A0 SHEET: 1/1