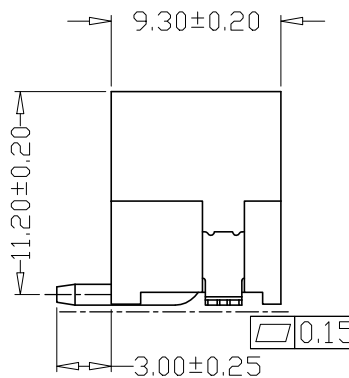
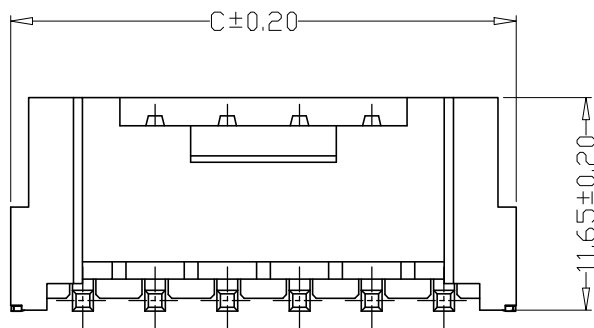
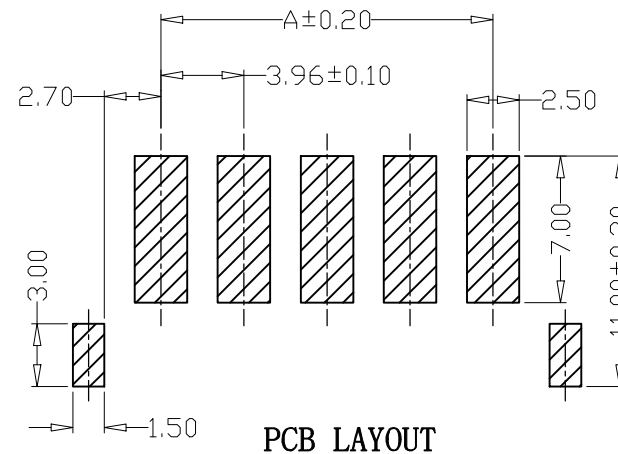
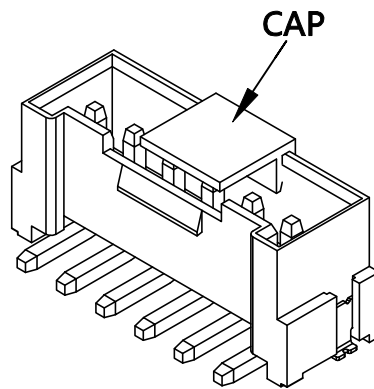
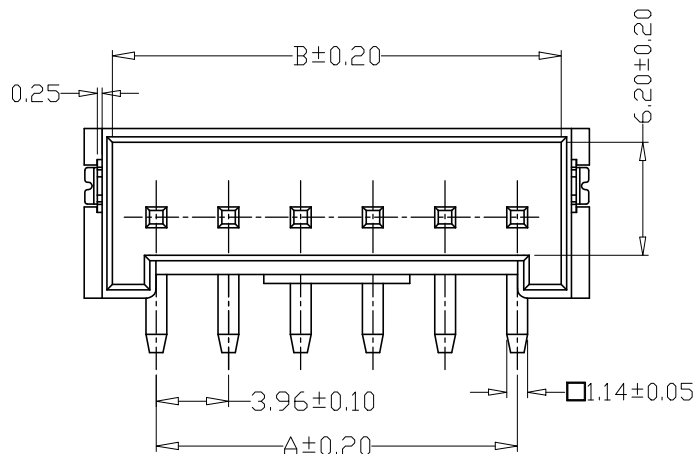


REV	ECN NO.	LOCAS.	DESCRIPTION	DATE	DESIGN
A			NEW DRAWING		



SPECIFICATIONS

- 1、Current Rating: 7A AC, DC
- 2、Voltage Rating: 250V AC, DC
- 3、Temperatuer Range: -25℃~+85℃
- 4、Contact Resistance: 20mΩ Max
- 5、Insulation Resistance: 1000MΩ Min
- 6、Withstanding Voltang: 1500V AC/minute
- 7、Material: Wafer PA9T, UL94V-0
PIN Brass Tin-plated
Solder tad Brass Tin-plated

PIN	尺寸 (mm)		
	A	B	C
-02AB	3.96	8.68	11.88
-03AB	7.92	12.64	15.84
-04AB	11.88	16.60	19.80
-05AB	15.84	20.56	23.76
-06AB	19.80	24.52	27.72
-07AB	23.76	28.48	31.68
-08AB	27.72	32.44	35.64
-09AB	31.68	36.40	39.60
-10AB	35.64	40.36	43.56
-11AB	39.60	44.32	47.52
-12AB	43.56	48.28	51.48

DESIGN:	Xiping Huang		
CHECK:	Ke Tian		
APPROVED:	Youquan Xu		
DIM	TOL	DIM	TOL
X.	±0.25	X°	±3.0°
X.X	±0.20	X.X°	
X.XX	±0.15	X.XX°	
X.XXX		X.XXX°	



广东国连电子有限公司
GUANGDONG GUOLIAN ELECTRONICS CO., LTD

TITLE:	VH3.96立贴		
PART NO.	VH3.96-NPB-RX		
REV.	A	SCALE:	N/A
UNIT:	mm	SHEET:	1/1