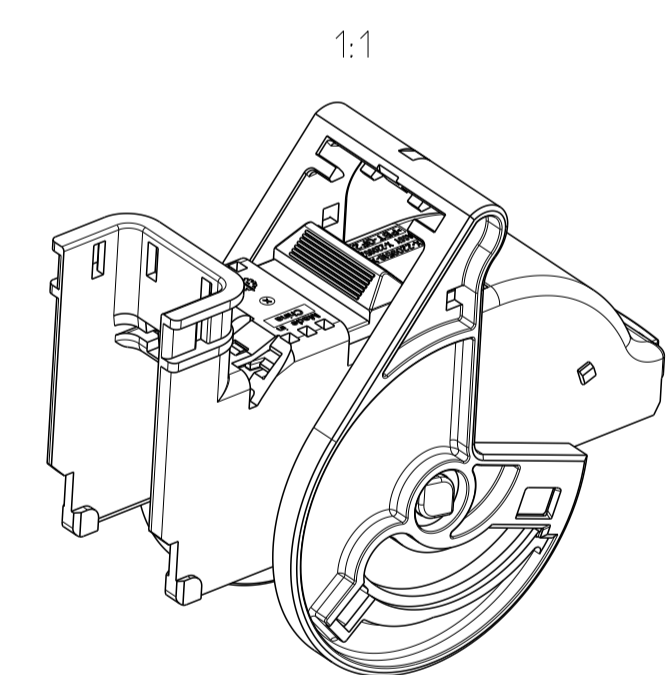
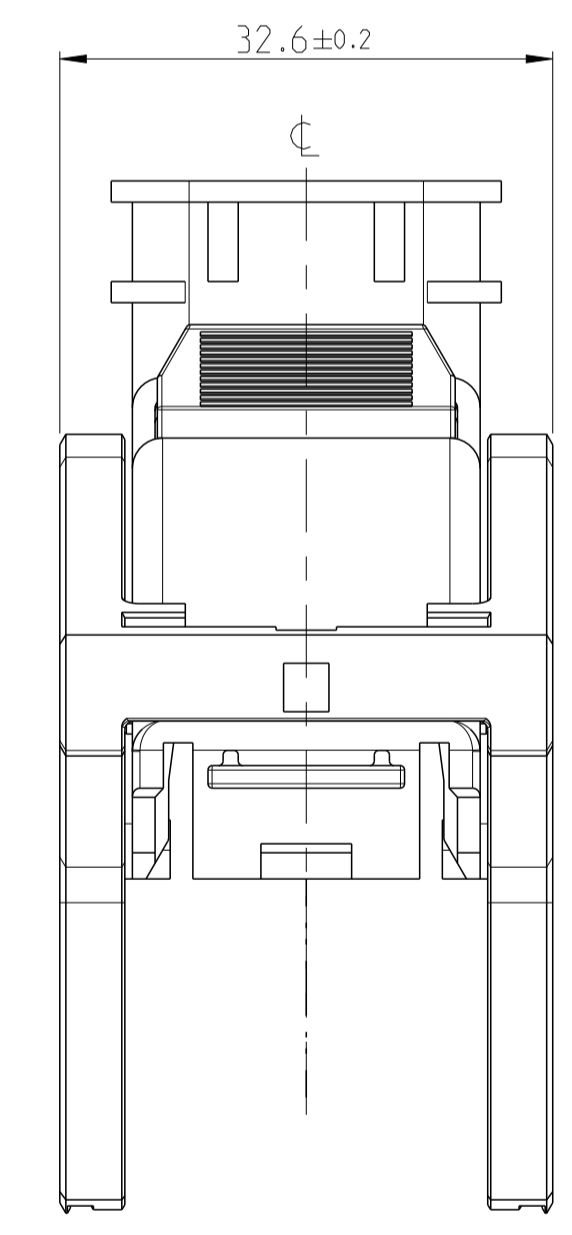
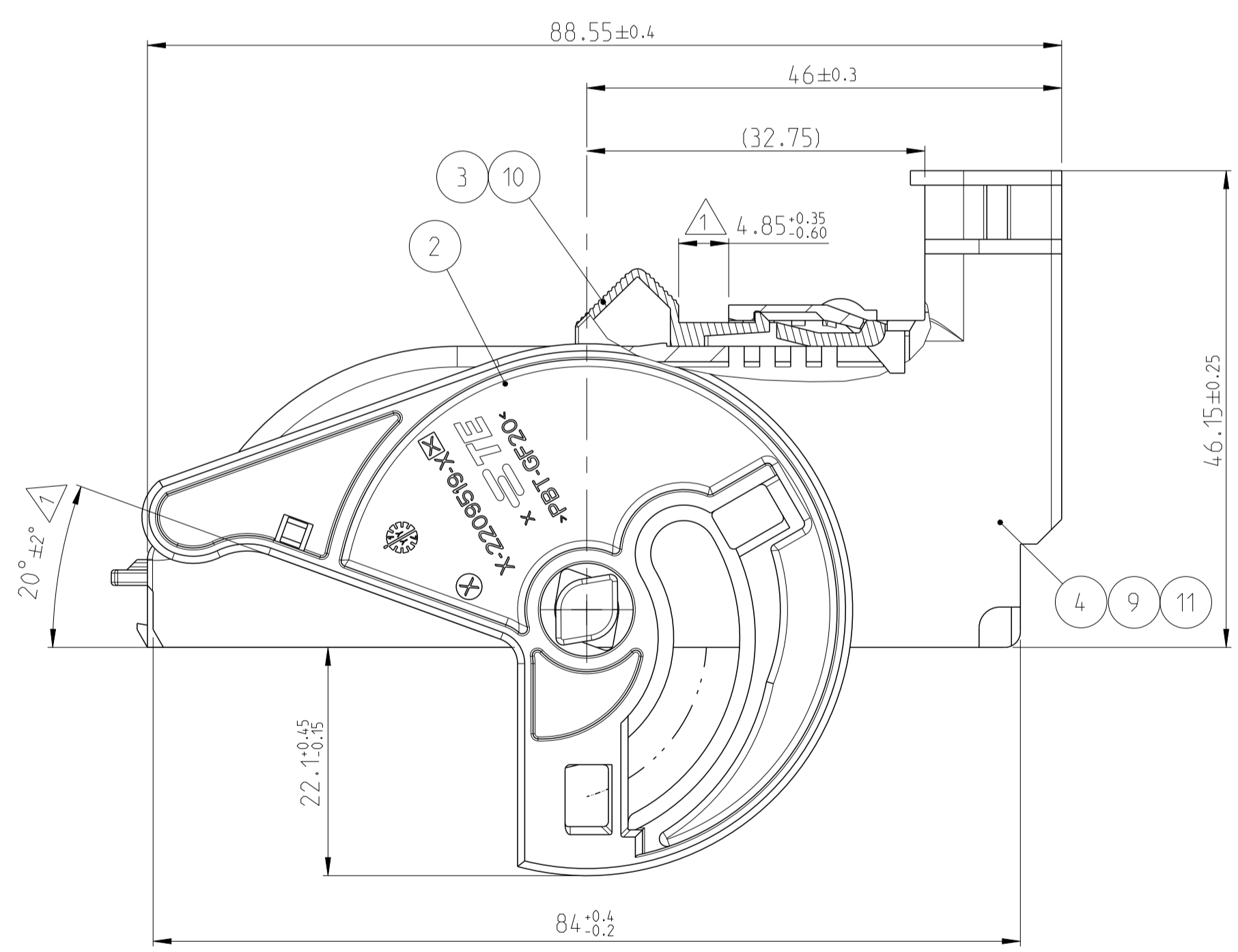
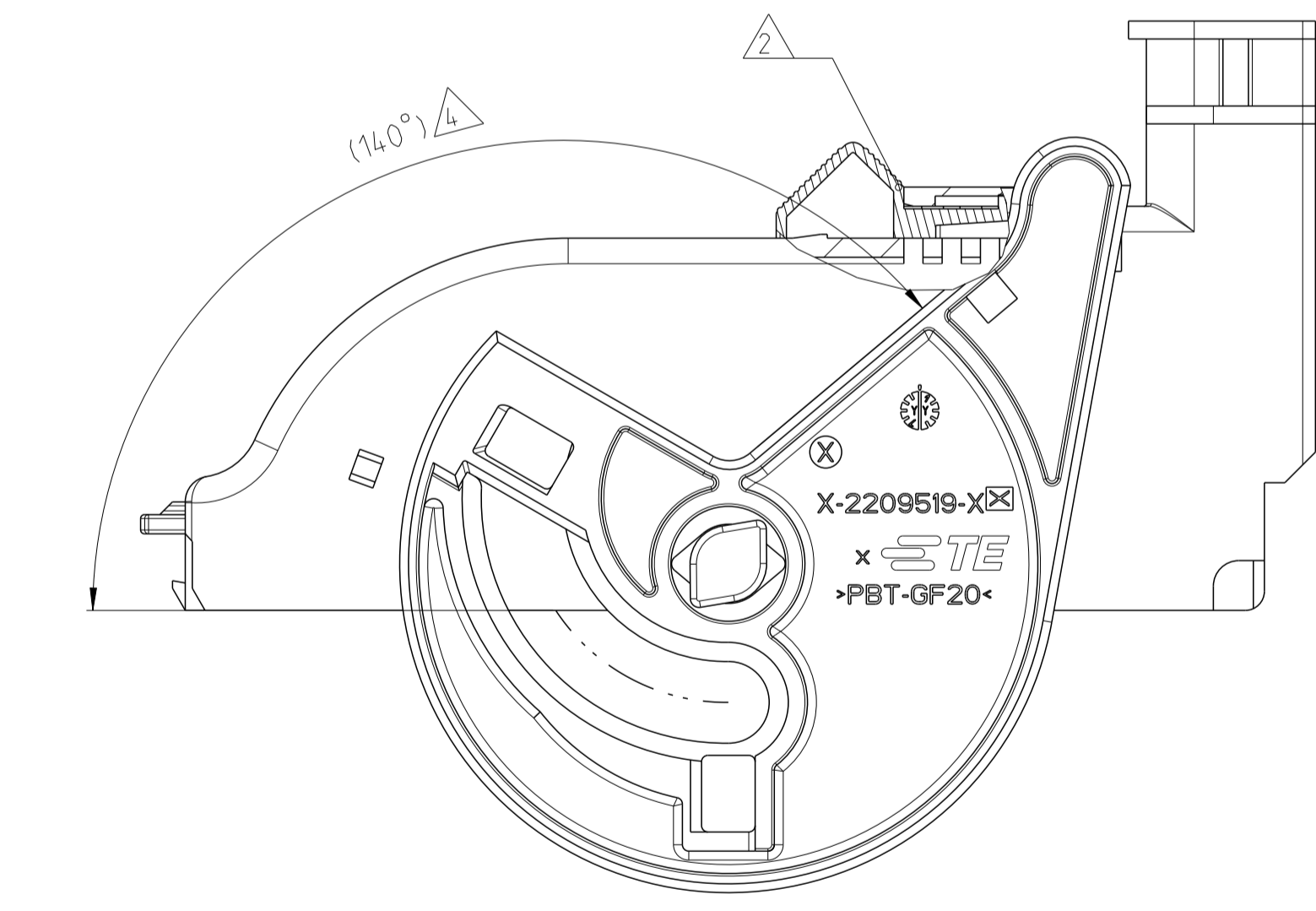
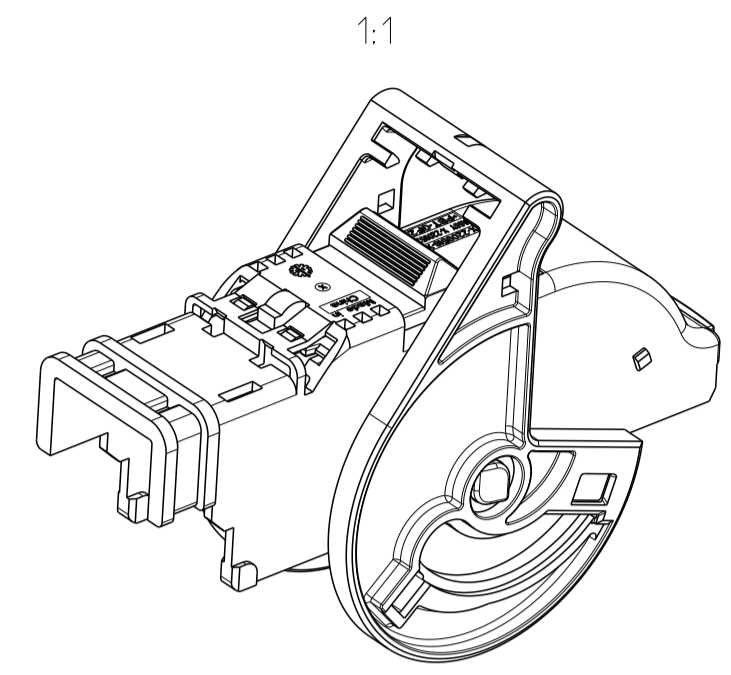
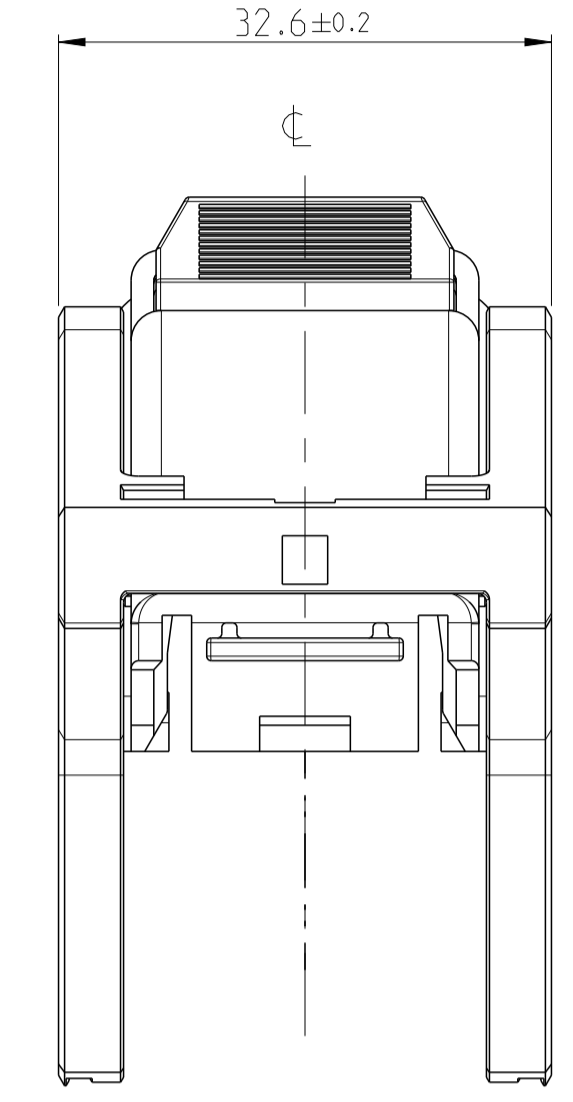
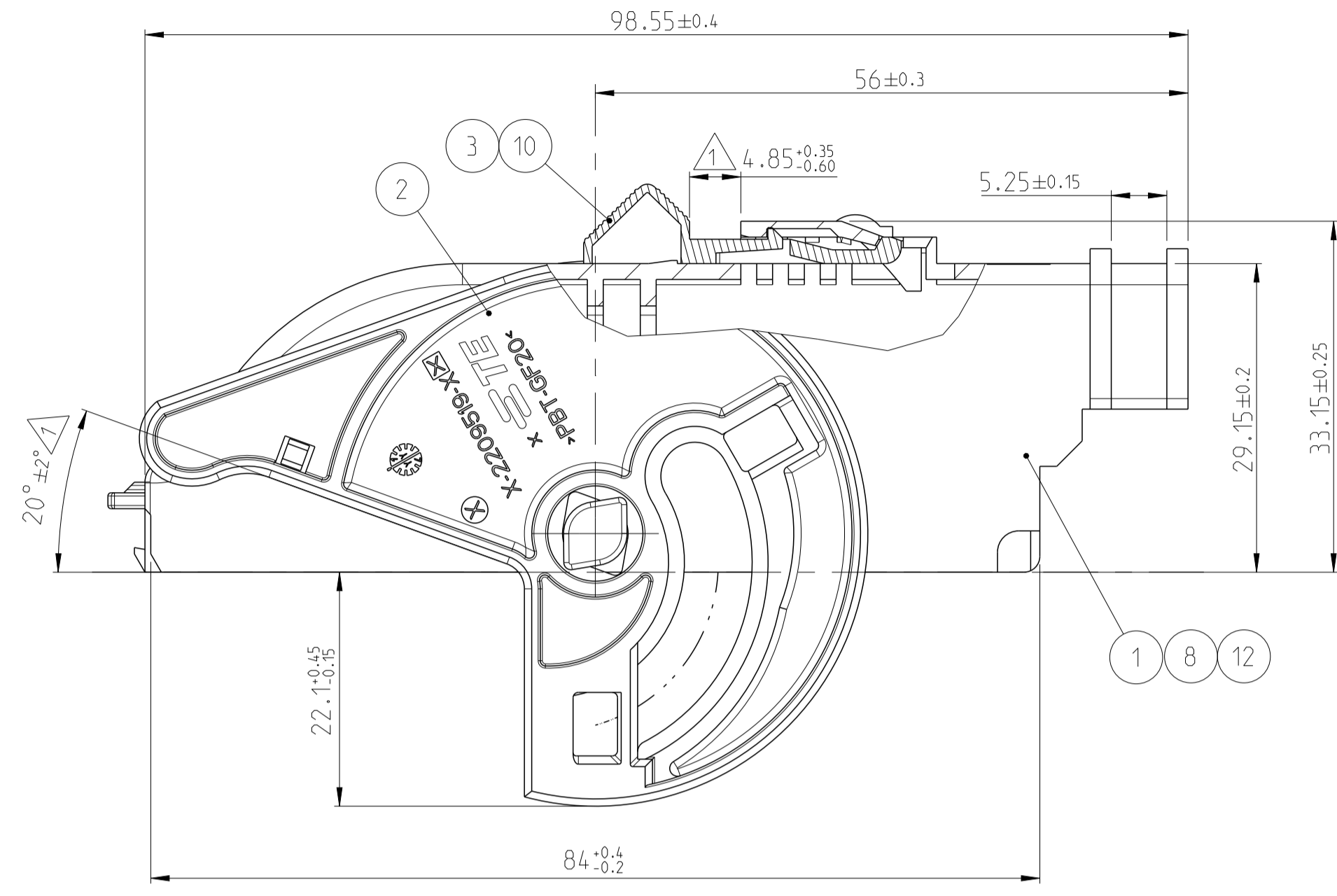
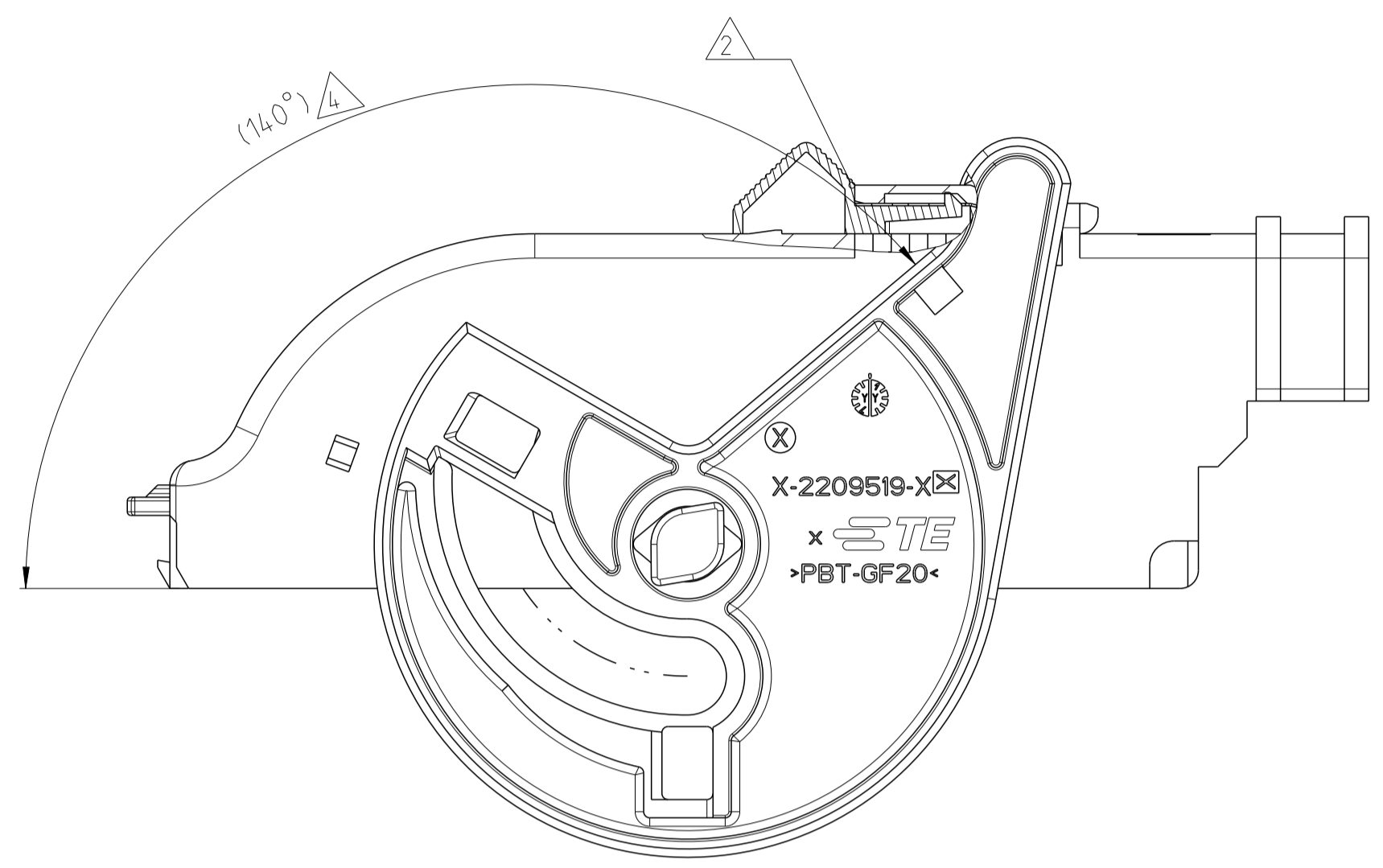


LOC		DIST		REVISIONS			
P	LTN	DESCRIPTION	DATE	DMN	APVD		
A7		ECN-23-193761	10JAN2023	Q.L.	J.Z		
B		ECR-23-189035	09OCT 23	S.X	J.Z		
C		ECR-24-210935	03SEP 24	S.X	J.Z		
C1		ECR-25-265759	06JAN 26	A.M	J.Z		



- NOTES
- 1 DELIVERY CONDITION: LEVER (2) IN PRELOCKED POSITION  
CPA (3) IN PRELOCKED POSITION
  - 2 CPA END LOCK POSITION
  - 3 LEVER MUST ROTATE SMOOTHLY UNTIL LOCKING
  - 4 LEVER END LOCK POSITION
  - 5 PACKAGING: POSITION WAY IN CARDBOX
  - 6 2209521 USED WITH TE: 2209520 (HSG ASSY)
  - 7 \*-2209521-\* IS SUZHOU VERSION OF \*-2112833-\*  
BOTH HAVE THE SIMILAR PERFORMANCE.

0-2209521-1/2 SEE SHEET 1/3  
 2-2209521-1/2 SEE SHEET 1/3  
 4-2209521-1/2 SEE SHEET 1/3

ITEM NO	REV.	COLOR	MATERIAL	DESCRIPTION	QTY.	ITEM NO
4-2209521-2	C	VIOLET	PBT-GF10	CPA	1	10
		GRAY	PBT-GF20	LEVER	1	2
4-2209521-1	B	BLACK	PBT-GF20	COVER 180°	1	12
		VIOLET	PBT-GF10	CPA	1	10
		GRAY	PBT-GF20	LEVER	1	2
2-2209521-2	C	BLACK	PBT-GF20	COVER 90°	1	11
		GRAY	PBT-GF20	LEVER	1	2
2-2209521-1	B	BLACK	PBT-GF20	COVER 180°	1	9
		GRAY	PBT-GF20	LEVER	1	2
0-2209521-2	C	BLACK	PBT-GF20	COVER 90°	1	8
		RED	PBT-GF10	CPA	1	3
		GRAY	PBT-GF20	LEVER	1	2
0-2209521-1	B	BLACK	PBT-GF20	COVER 180°	1	4
		RED	PBT-GF10	CPA	1	3
		GRAY	PBT-GF20	LEVER	1	2
TE ASSY-NO	Rev.	BLACK	PBT-GF20	COVER 90°	1	1

THIS DRAWING IS A CONTROLLED DOCUMENT.

OWNER: J. ZONG 04-MAR-13  
 CHG: A. DANG 04-MAR-13  
 APVD: LY. LIN 04-MAR-13

TE Connectivity

NAME: COVER, 46 POS. HOUSING, ASSY

SIZE: A1 CAGE CODE: 00779 DRAWING NO: 2209521

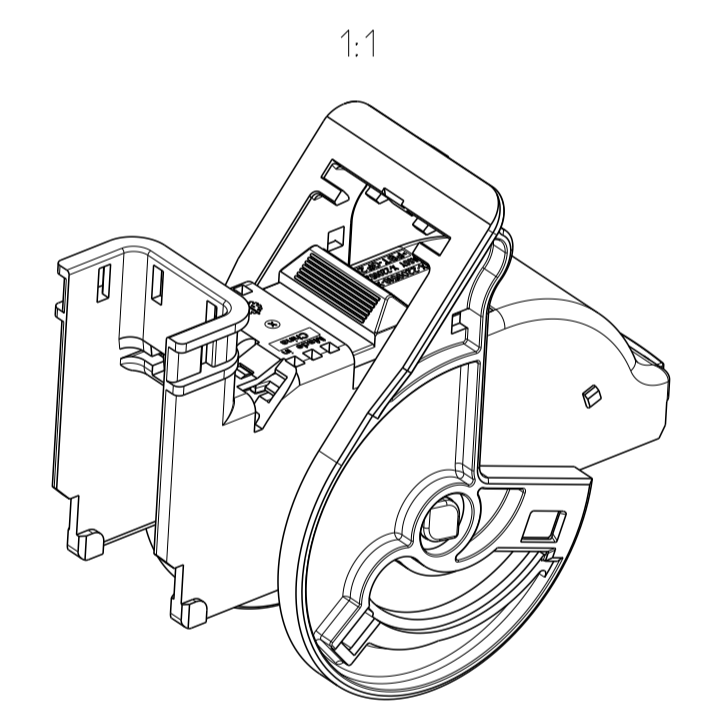
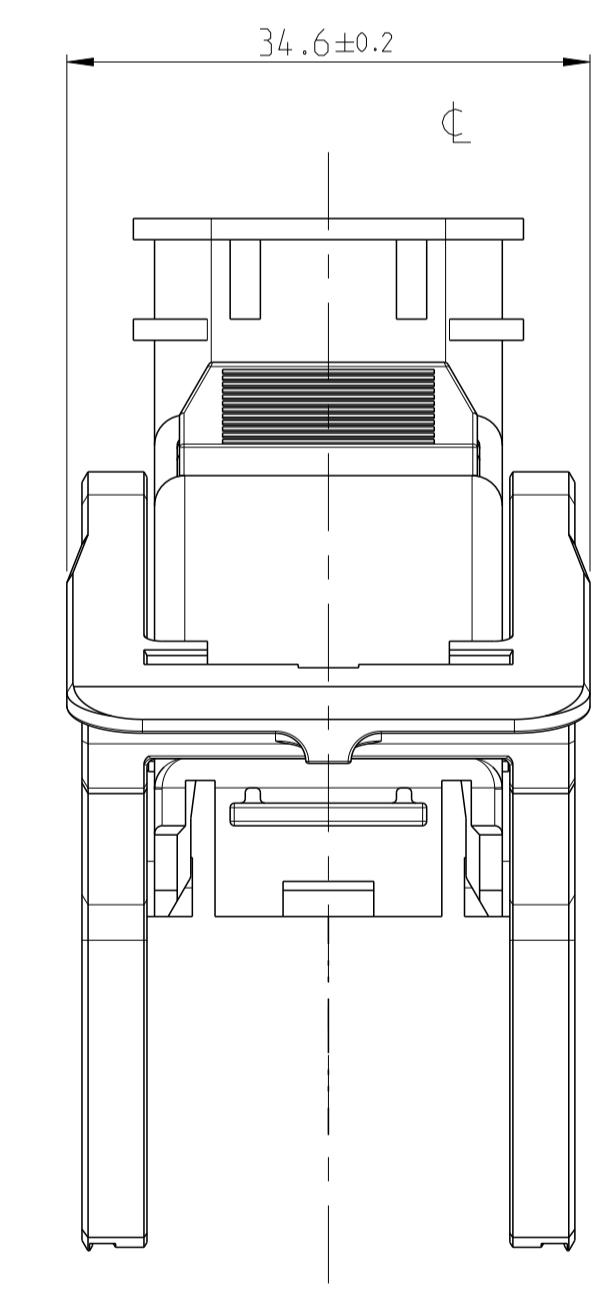
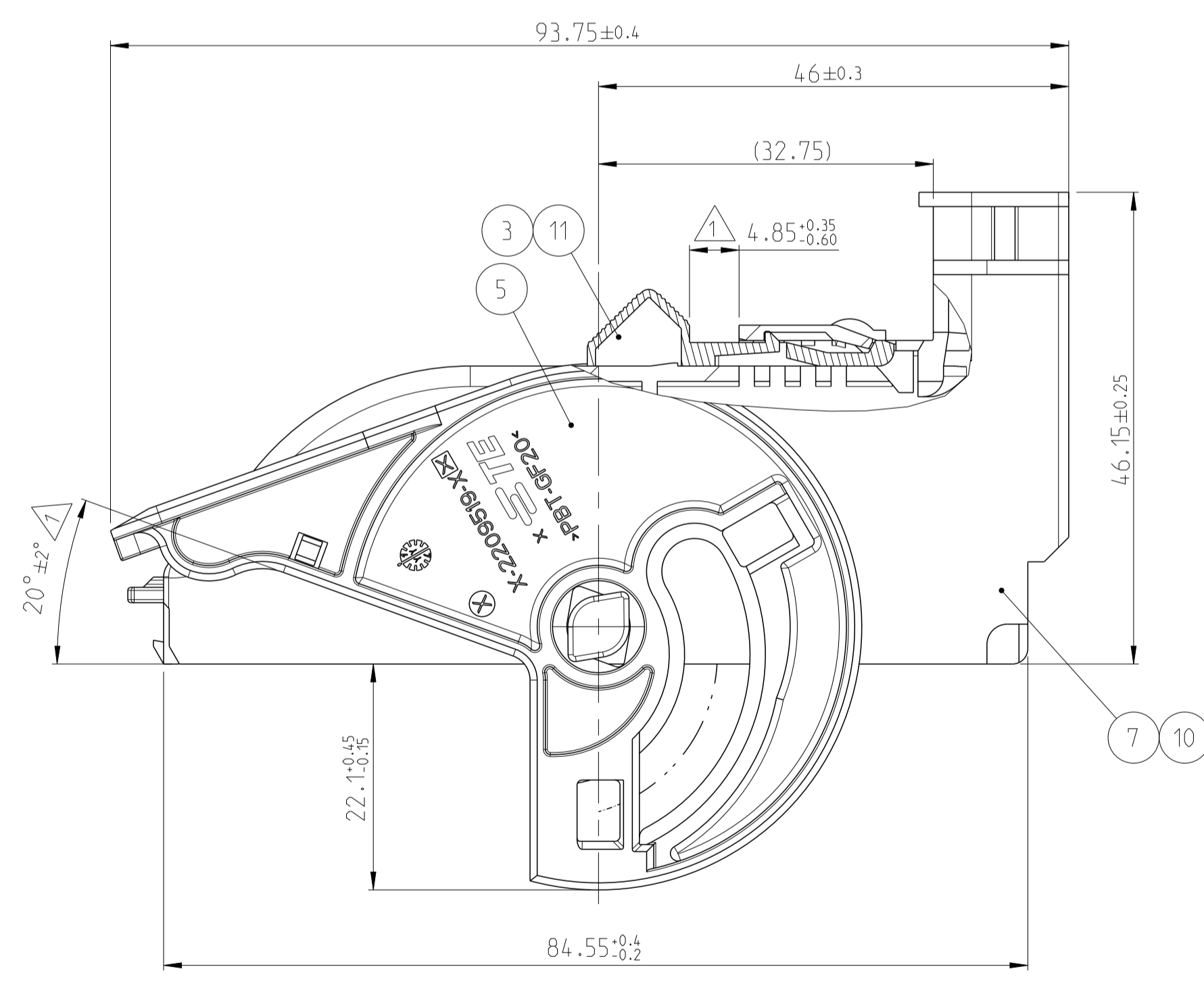
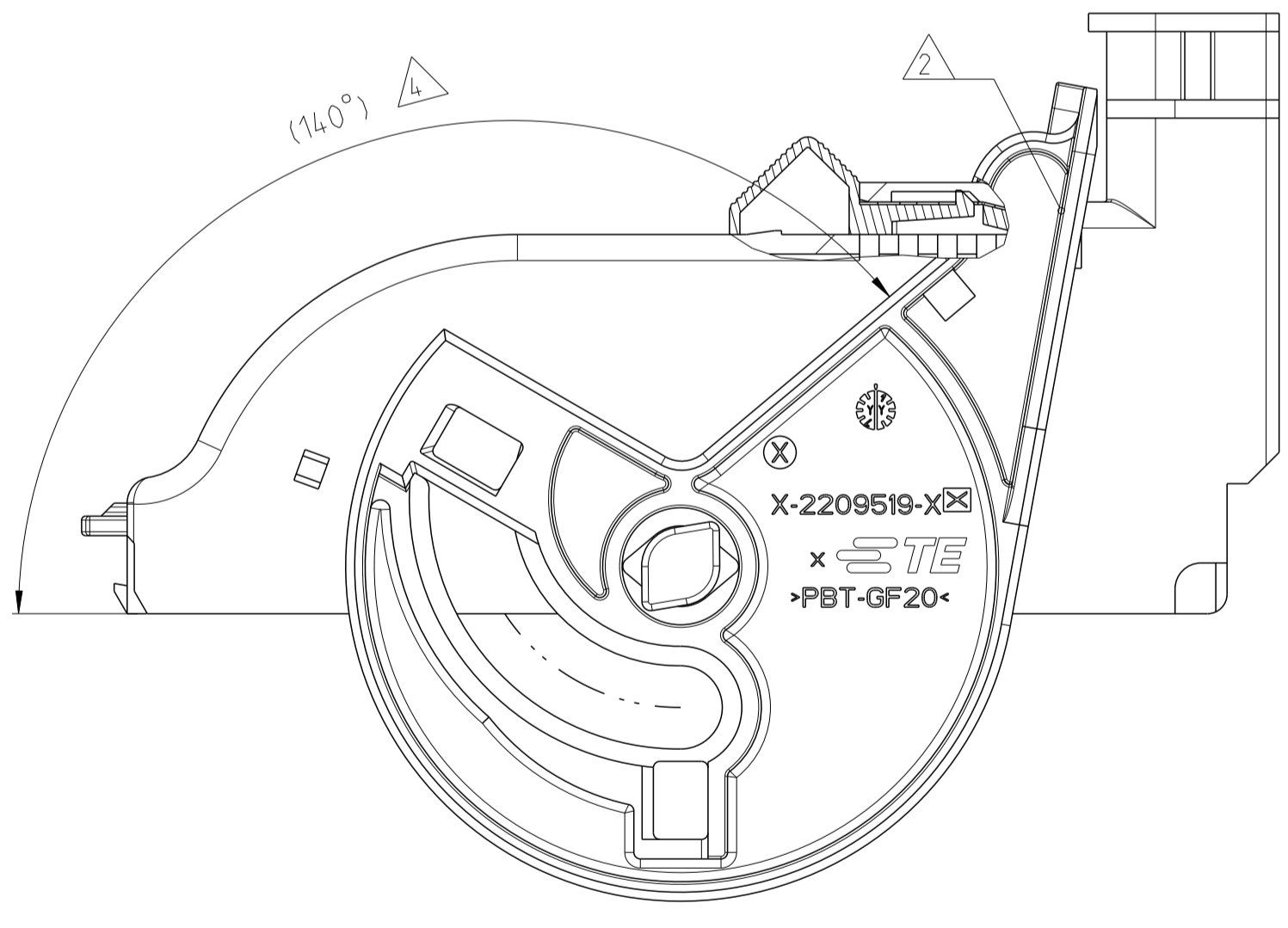
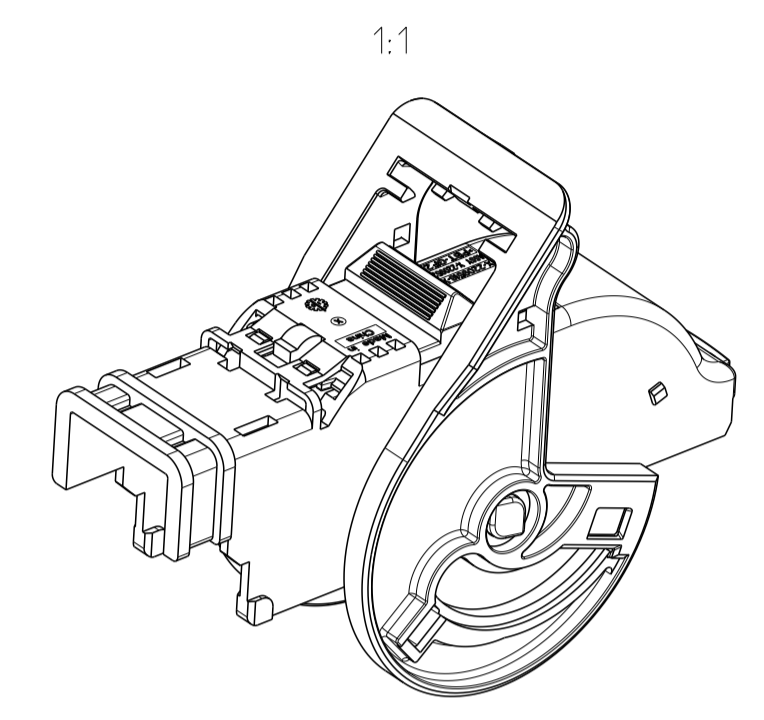
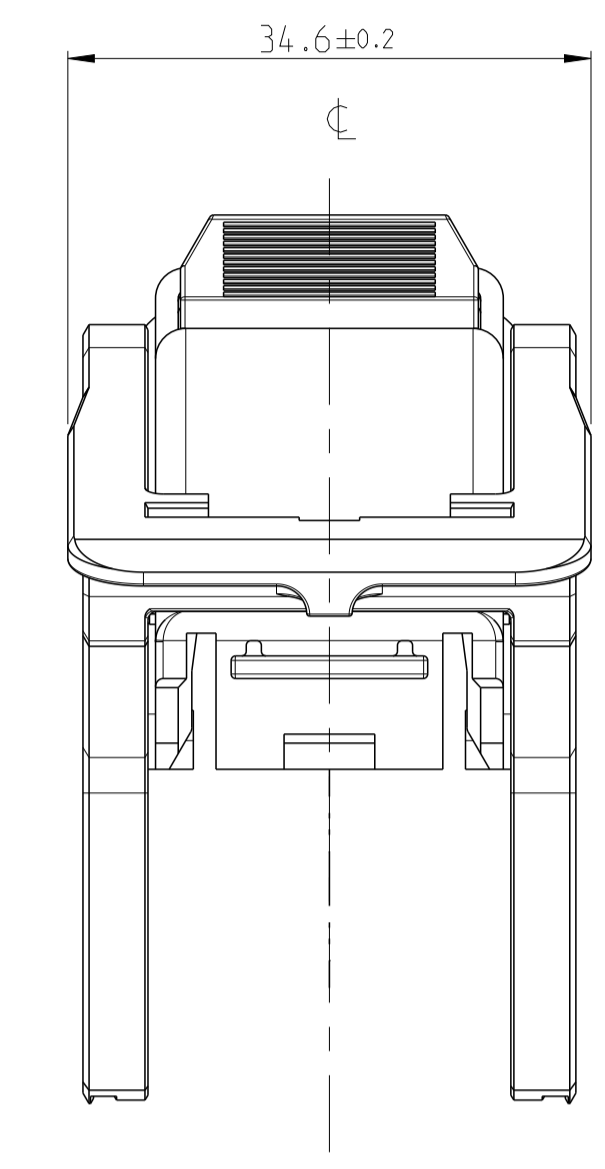
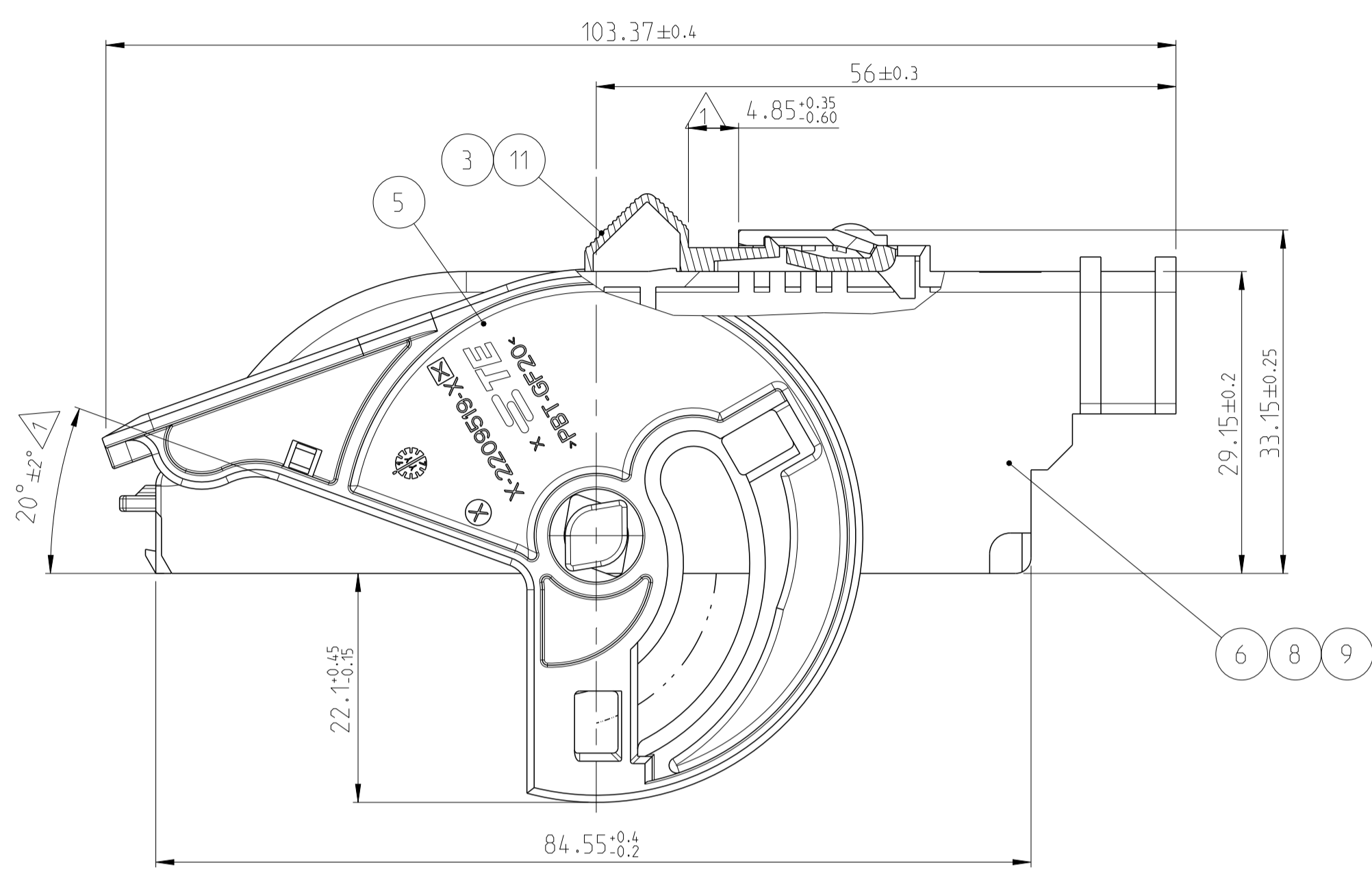
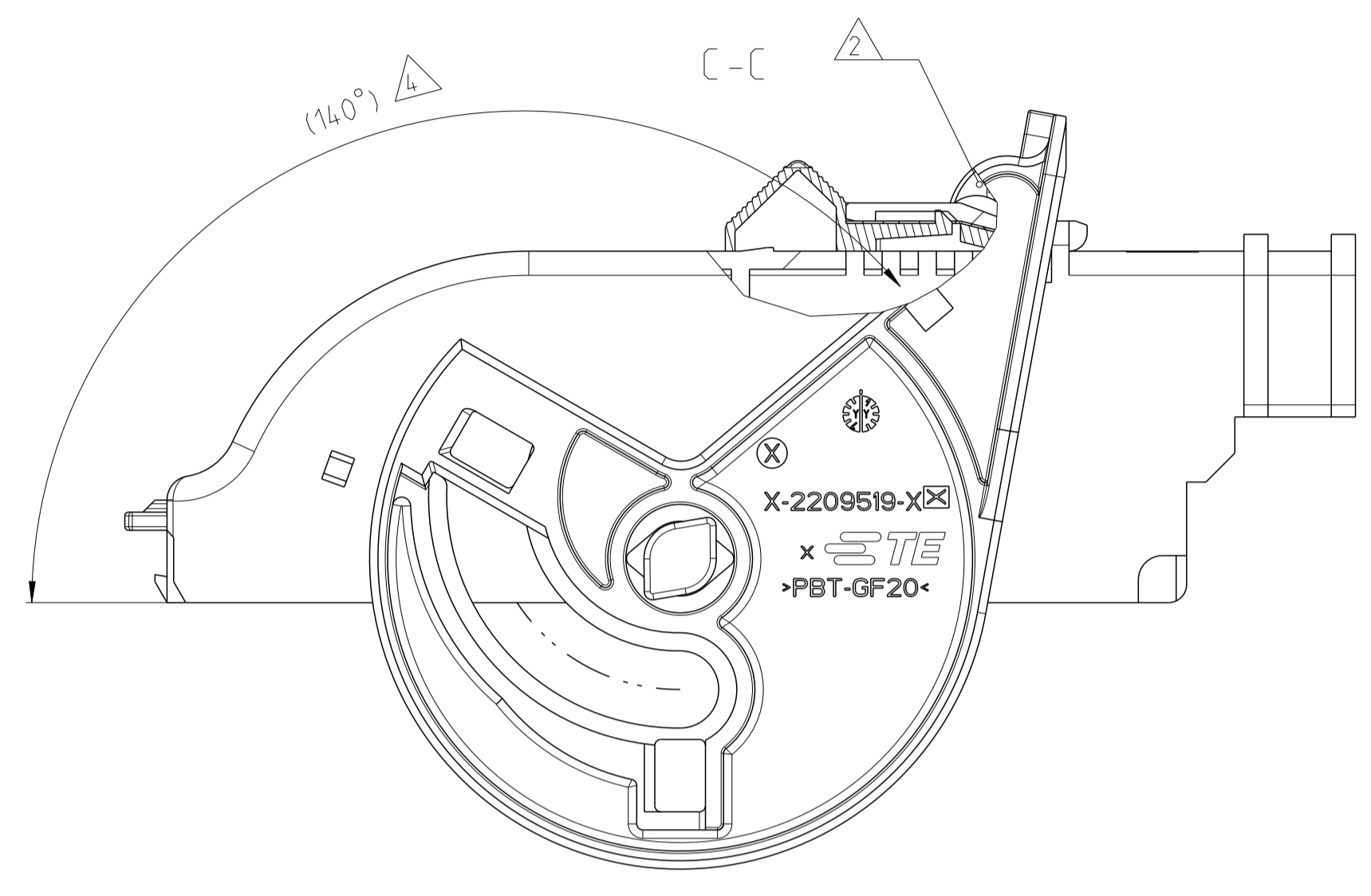
WEIGHT: 29.2g

Customer Drawing SCALE: 2:1 SHEET 1 OF 3 REV: C1

LOC	DIST	REV	DATE	BY	APPV
ES	00				

REVISIONS					
REV	DATE	DESCRIPTION	BY	APPV	DATE
		SEE SHEET 1			



- NOTES
- 1 DELIVERY CONDITION: LEVER (5) IN PRELOCKED POSITION  
CPA (3) IN PRELOCKED POSITION
  - 2 CPA END LOCK POSITION
  - 3 LEVER MUST ROTATE SMOOTHLY UNTIL LOCKING
  - 4 LEVER END LOCK POSITION
  - 5 PACKAGING: POSITION WAY IN CARDBOX
  - 6 2209521 USED WITH TE: 2209520 (HSG ASSY)

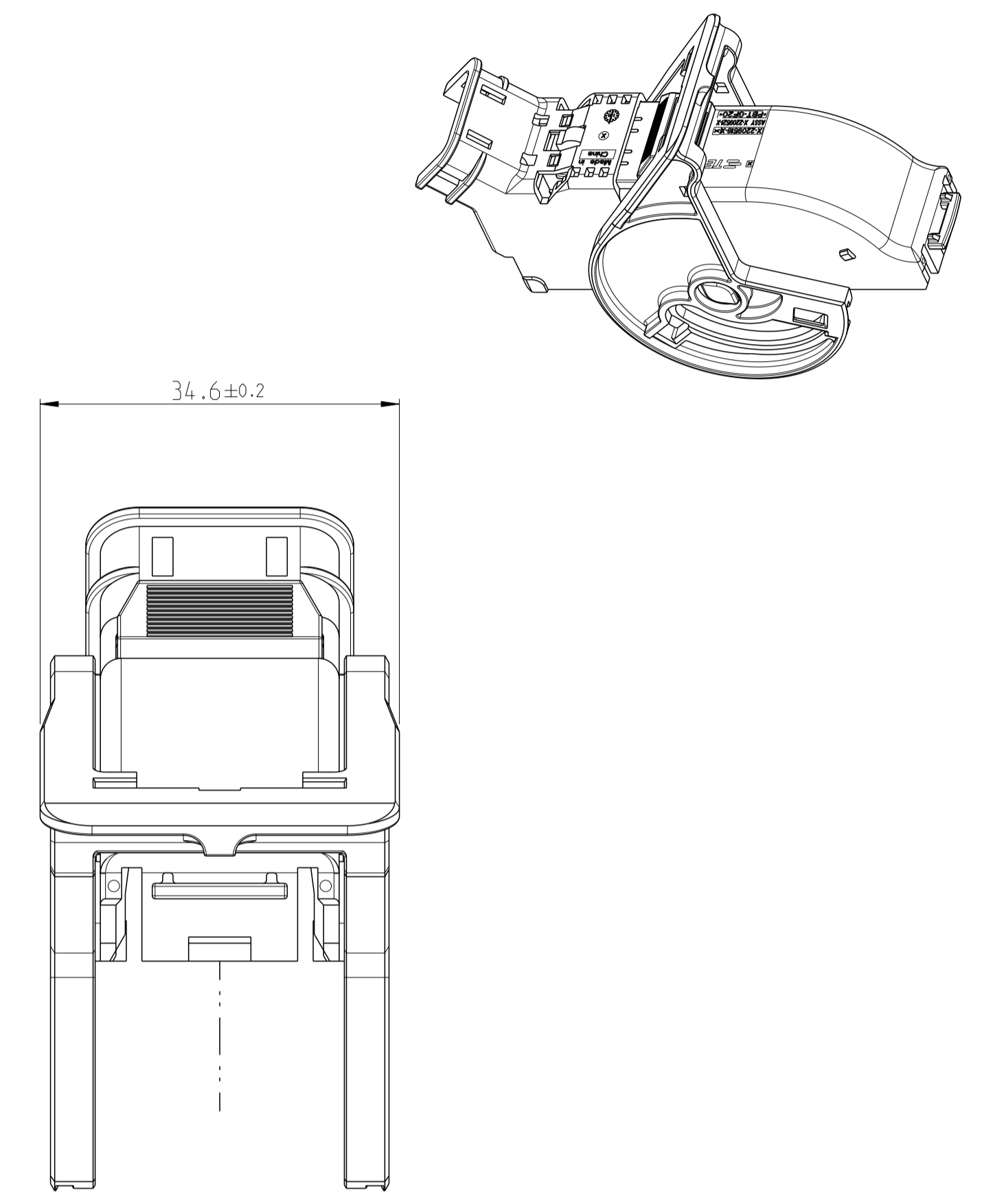
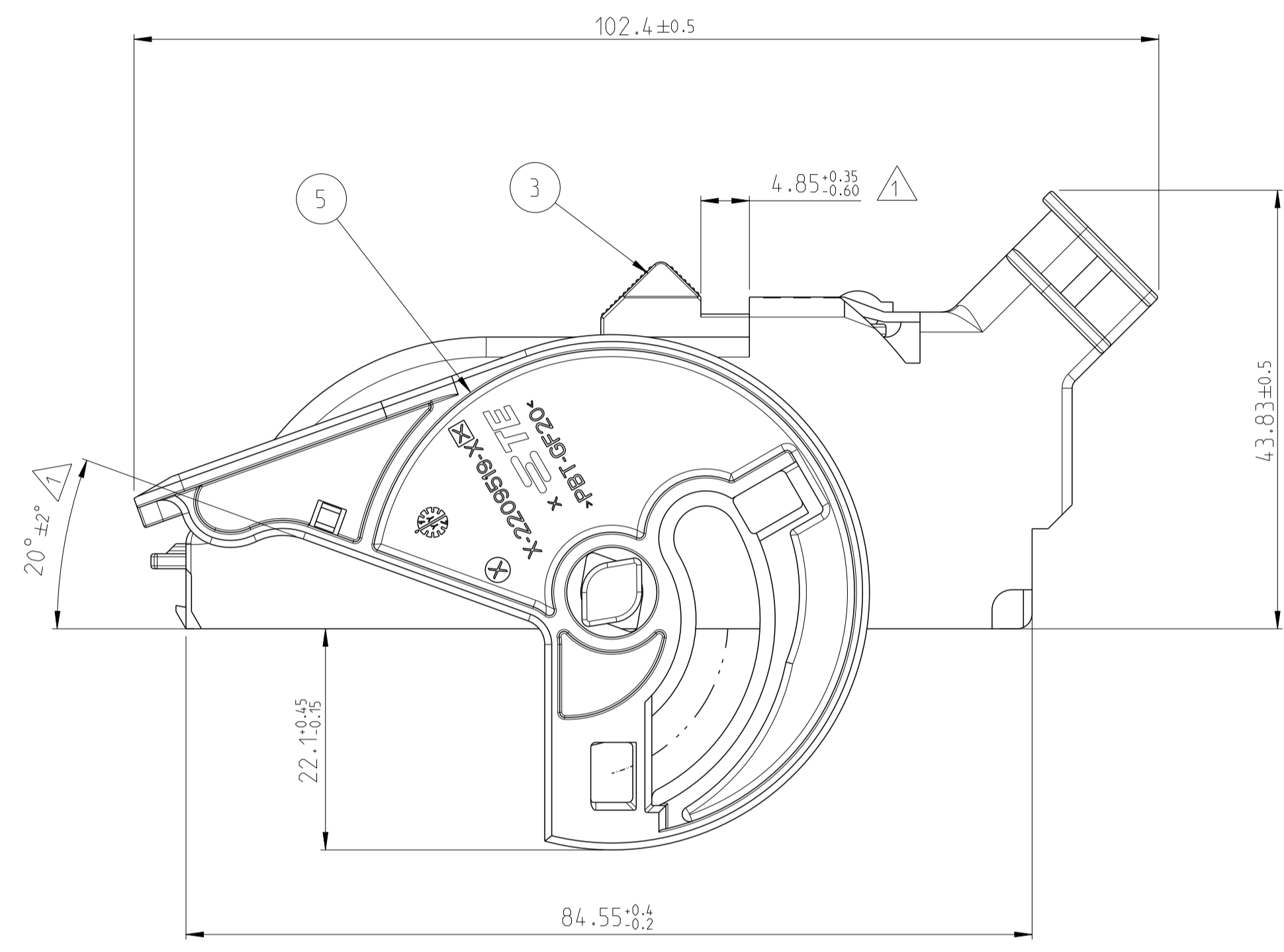
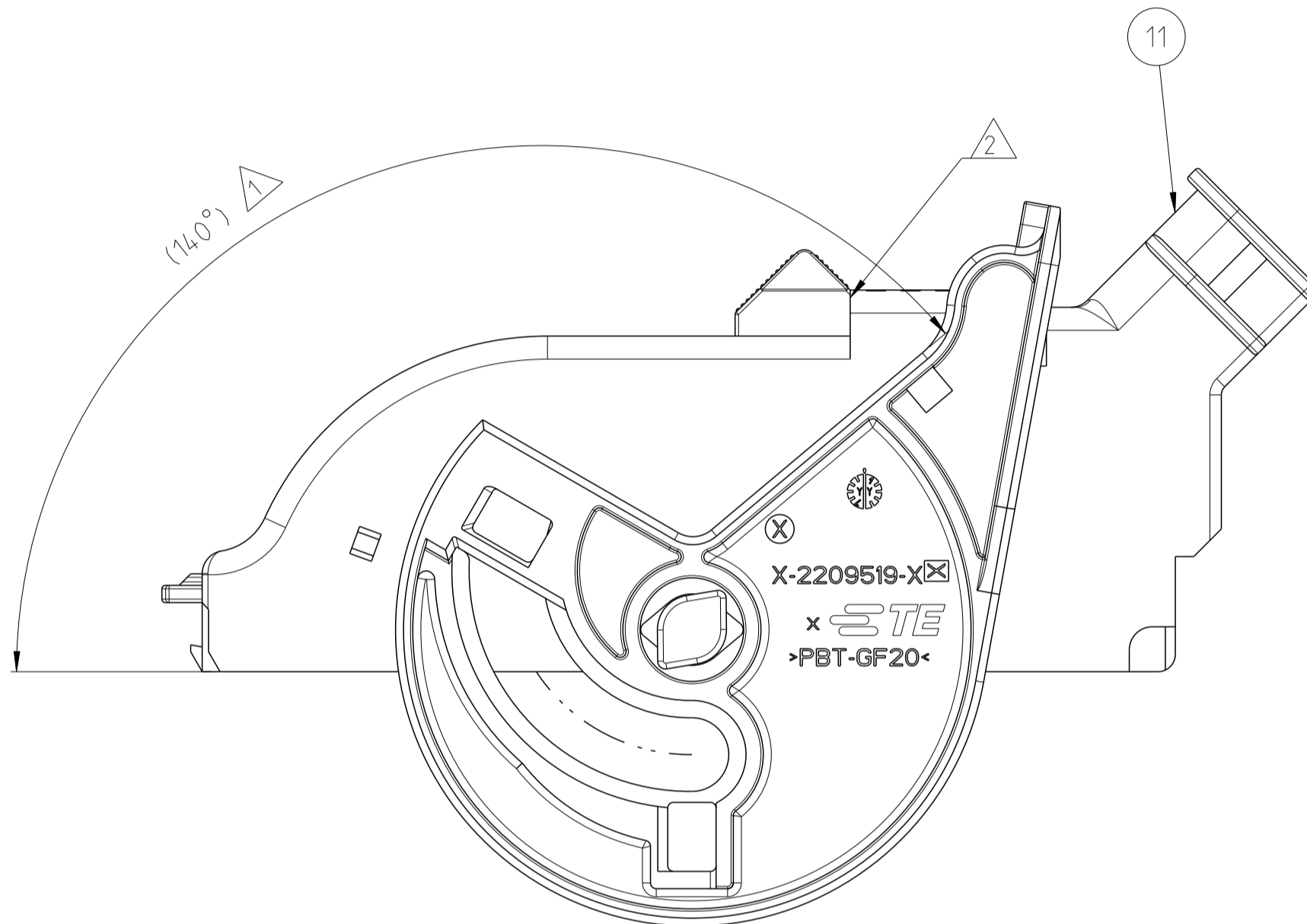
1-2209521-1/2 SEE SHEET 2/3  
 3-2209521-1 SEE SHEET 2/3  
 5-2209521-1/2 SEE SHEET 2/3

ITEM NO	QTY.	DESCRIPTION	MATERIAL	COLOR	Rev.	TE ASSY-NO
<del>11</del>	1	CPA	PBT-GF10	VIOLET	C	<del>5-2209521-2</del>
5	1	LEVER	PBT-GF20	GRAY	C	5-2209521-2
10	1	COVER 180°	PBT-GF20	BLACK	C	5-2209521-2
<del>11</del>	1	CPA	PBT-GF10	VIOLET	B	<del>5-2209521-1</del>
5	1	LEVER	PBT-GF20	GRAY	B	5-2209521-1
9	1	COVER 90°	PBT-GF20	BLACK	B	5-2209521-1
5	1	LEVER	PBT-GF20	GRAY	B	3-2209521-1
8	1	COVER 90°	PBT-GF20	BLACK	B	3-2209521-1
3	1	CPA	PBT-GF10	RED	C	1-2209521-2
5	1	LEVER	PBT-GF20	GRAY	C	1-2209521-2
7	1	COVER 180°	PBT-GF20	BLACK	C	1-2209521-2
3	1	CPA	PBT-GF10	RED	B	1-2209521-1
5	1	LEVER	PBT-GF20	GRAY	B	1-2209521-1
6	1	COVER 90°	PBT-GF20	BLACK	B	1-2209521-1

THIS DRAWING IS A CONTROLLED DOCUMENT.

OWNER: J. ZONG	DATE: 15-MAR-16	TE Connectivity NAME: COVER, 46 POS. HOUSING, ASSY
CHK: S. W. ANG	DATE: 15-MAR-16	
APPV: L. Y. LIN	DATE: 15-MAR-16	
PRODUCT SPEC		
DIMENSIONS: mm	TOLERANCES UNLESS OTHERWISE SPECIFIED	SIZE: A1
0 PLC	±0.15	CAGE CODE: 00779
1 PLC	±0.25	DRAWING NO: C-2209521
2 PLC	±0.30	RESTRICTED TO:
3 PLC	±0.40	
4 PLC	±0.50	
ANGLES	±0.5°	SCALE: 2:1
MATERIAL: SEE TABLE	FINISH: -	SHEET: 2 OF 3
WEIGHT: 31.48g	Customer Drawing	REV: C1

LOC	DIST	REVISIONS			
P	LTN	DESCRIPTION	DATE	DWN	APVD
		SEE SHEET 1			



- NOTES
- 1 DELIVERY CONDITION: LEVER (5) IN PRELOCKED POSITION  
CPA (3) IN PRELOCKED POSITION
  - 2 CPA END LOCK POSITION
  - 3 LEVER MUST ROTATE SMOOTHLY UNTIL LOCKING
  - 4 LEVER END LOCK POSITION
  - 5 PACKAGING: POSITION WAY IN CARDBOX
  - 6 2209521 USED WITH TE: 2209520 (HSG ASSY)

6-2209521-1 SEE SHEET 3/3

6-2209521-1	Rev.	COLOR	MATERIAL	DESCRIPTION	QTY.	ITEM NO
	B	RED	PBT-GF10	CPA	1	3
		GRAY	PBT-GF20	LEVER	1	5
		BLACK	PBT-GF20	COVER 45°	1	11

THIS DRAWING IS A CONTROLLED DOCUMENT.

DIMENSIONS: mm	TOLERANCES UNLESS OTHERWISE SPECIFIED	DWN: T.DONG 29DEC2017	CHK: E.JIANG 02JAN2018	APVD: L.YIN 03JAN2018	NAME: COVER, 46 POS. HOUSING, ASSY
0 PLC ±	1 PLC ±	2 PLC ±	3 PLC ±	4 PLC ±	ANGLES ±
MATERIAL: SEE TABLE	FINISH: -	WEIGHT: -	CUSTOMER DRAWING	SCALE: 2:1	SHEET 3 OF 3

TE Connectivity  
 SIZE: A1 CAGE CODE: 00779 DRAWING NO: 2209521  
 RESTRICTED TO: REV. C1