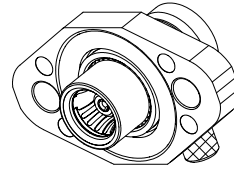
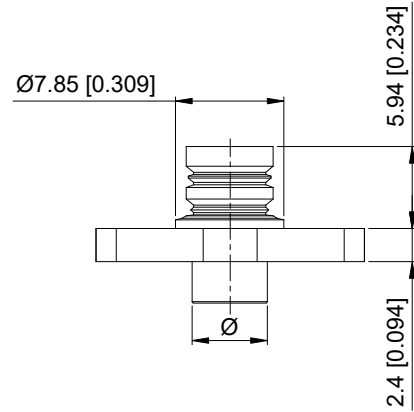


REVISIONS					
REV.	ECN NO.	LOCATION	DESCRIPTION	DATE	DESIGN
A0	N/A		INITIAL RELEASE	2024.09.22	



3D View

Specifications(规格):

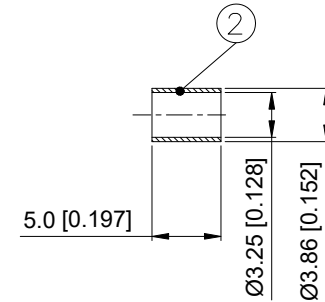
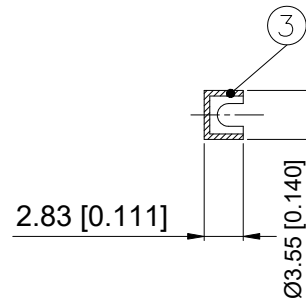
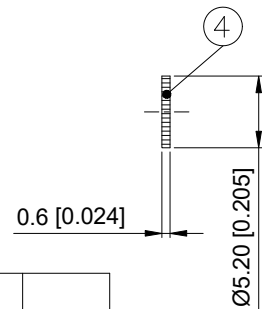
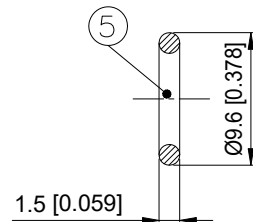
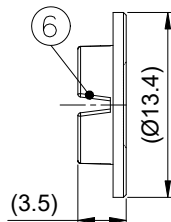
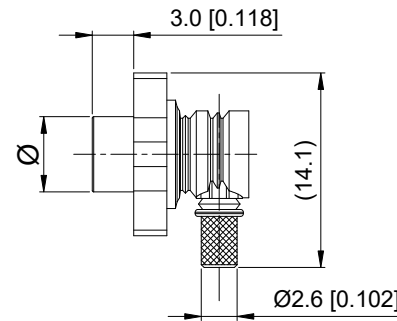
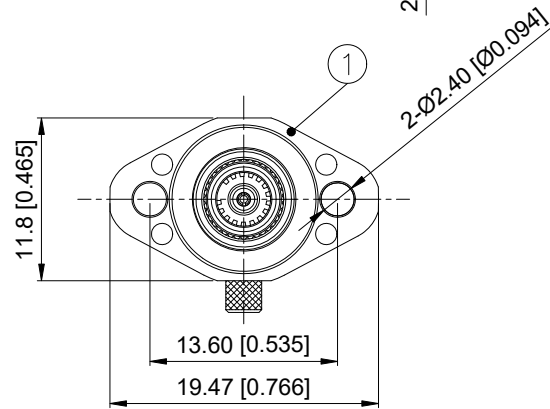
- 1.Impedance(特性阻抗) : 50Ω;
- 2.Frequency (工作频率) : DC~6GHz;
- 3.VSWR(驻波比) : 1.50:1@3GHz; 1.60:1@6GHz
- 4.Insulation resistance(绝缘阻抗) : ≥100MΩ;
- 5.Dielectric withstand voltage (介质耐电压) : 800V AC;
- 6.Mating cycles (耐久性) : ≥25 cycles;
- 7.Temperature range(使用温度): -40℃~+105℃;
- 8.Waterproof rating: IP67~IP69K;

PART NO.:

XS30LFR3-WXX4-1

SMB外径尺寸(φ):

- L0: φ5.45mm
- L1: φ6.0mm
- L2: φ6.2mm



ANGULAR	±5°
X.	±0.50
X.x	±0.20
X.x(φ)	±0.10
X.xx	±0.10
X.xxx	±0.03
UNSPECIFIED TOLERANCES	

6	XSC0-PPNT01	Protective cover	PP		1	PC	
5	XSM0-RR01	Waterproof ring	Silicon rubber		1	PC	
4	XSC0-BRSR01	Cover	Copper Alloy	Ni PLATED	1	PC	
3	XSC1-PPNT01	Insulator	PP		1	PC	
2	XSS3-BRN01	Crimp Sleeve	Copper Alloy	Ni PLATED	1	PC	
1	XSBF3-ZA30XX-2	Outer Conductor	Zinc+Copper alloy	Tin+Ni PLATED	1	SET	
NO.	P/N	NAME	MATERIAL	FINISH (Contact)	Q'TY	Note	



DESIGN	希文	VIEW:	
CHECKED		UNIT:	mm/in
APPROVED		SIZE:	A4

MODEL TYPE:	SMB Female R/A Connector, H=3.0mm
PART NO.:	XS30LFR3-WXX4-1
DWG NO.:	X-XS30LFR3-WXX4-1

SCALE	PAGE	REVISION
N/A	1/1	A0