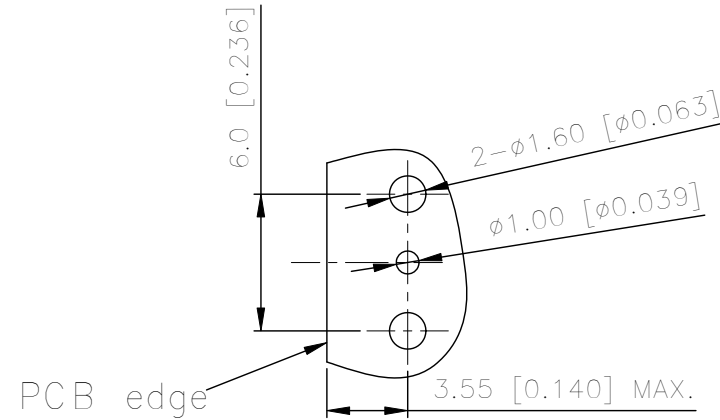
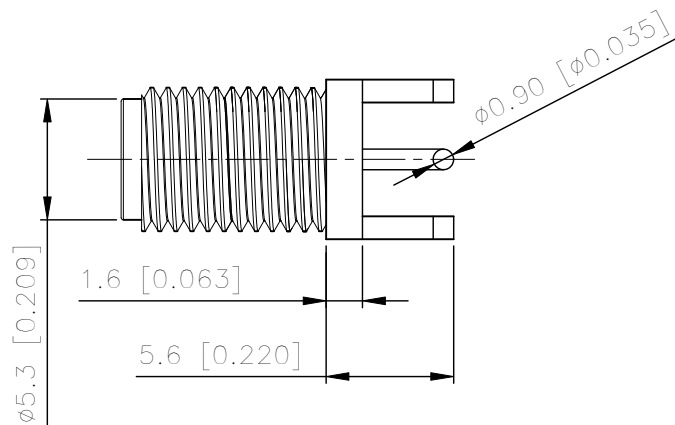
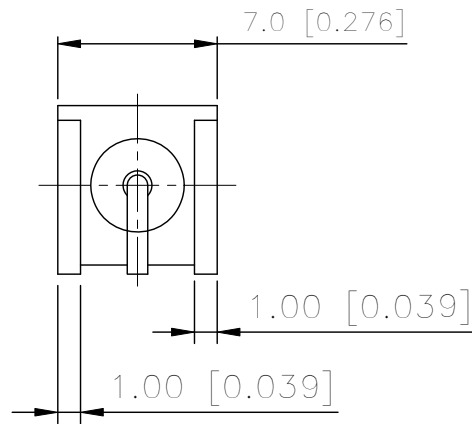
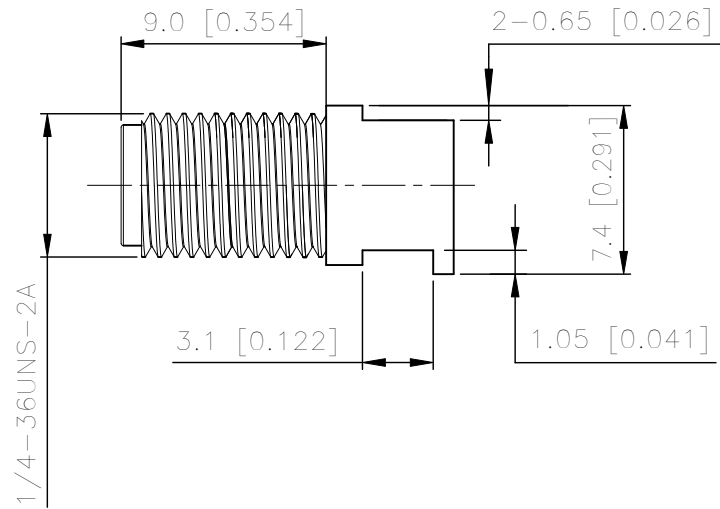


REVISIONS					
REV.	ECN NO.	LOCATION	DESCRIPTION	DATE	DESIGN

Specifications(规格):

- 1.Impedance(特性阻抗) : 50Ω;
- 2.Frequency(工作频率) : DC~6GHz;
- 3.VSWR(驻波比): 1.25 Max.;
- 4.Insulation resistance(绝缘阻抗) :  $\geq 5000M\Omega$ ;
- 5.Dielectric withstand voltage(介质耐电压) :  $\geq 1000V$  AC;
- 6.Mating cycles(耐久性) :  $\geq 500$  cycles;
- 7.Salt mist(盐雾) : 48H;
- 8.Temperature range(使用温度):  $-55^{\circ}C \sim +165^{\circ}C$ ;



Recommended P.C.B Layout

ANGULAR	$\pm 5^{\circ}$
X.	$\pm 0.30$
X.x	$\pm 0.15$
X.x( $\phi$ )	$\pm 0.10$
X.xx	$\pm 0.10$
X.xx( $\phi$ )	$\pm 0.05$
X.xxx	$\pm 0.02$
UNSPECIFIED TOLERANCES	

3	Center Conductor	BeCu	Gold PLATED	1 PC	0.075 $\mu$ m
2	Dielectric	PTFE		1 PC	
1	Outer Conductor	Brass	Gold PLATED	1 PC	0.075 $\mu$ m
NO.	NAME	MATERIAL	FINISH (Contact)	Q'TY	Note



DESIGN	希文	VIEW:	
CHECKED		UNIT:	mm/in
APPROVED		SIZE:	A4

MODEL TYPE: SMA-KWH010		
PART NO.: XMAW-5FRH-CB10		
DWG NO.: X-XMAW-5FRH-CB10		

XKB INDUSTRIAL PRECISION CO., LIMITED

SCALE	PAGE	REVISION
N/A	1/1	A0