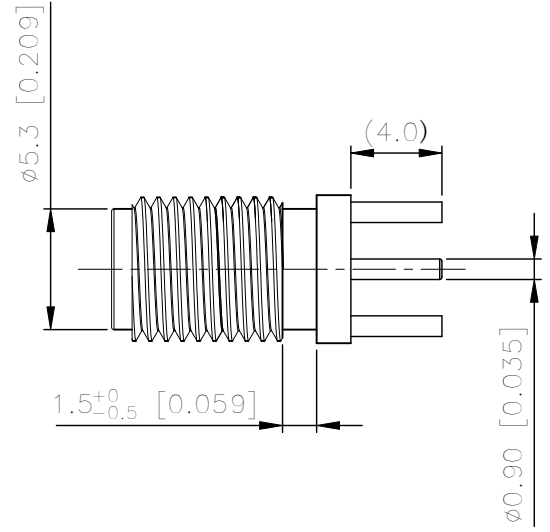
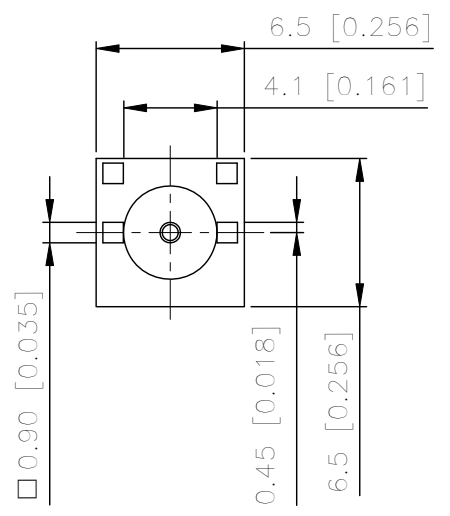
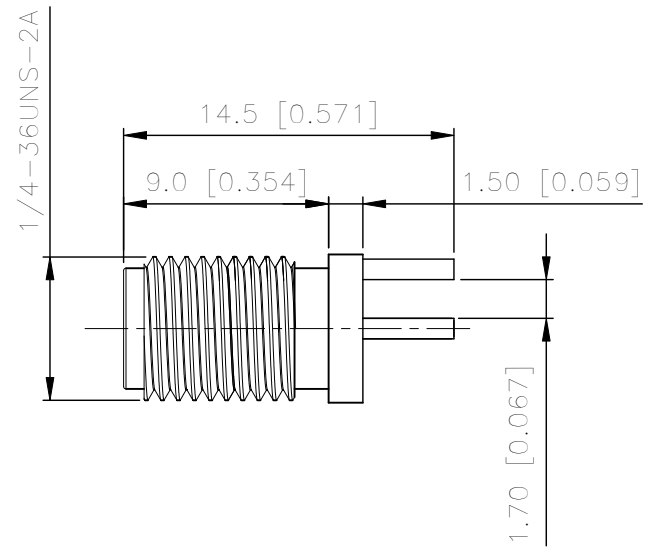
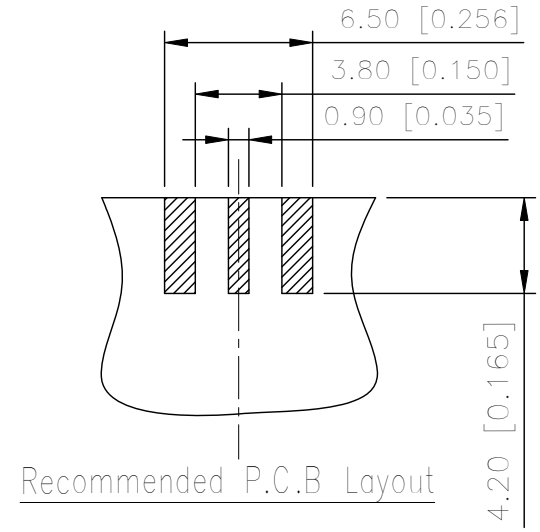


REVISIONS					
REV.	ECN NO.	LOCATION	DESCRIPTION	DATE	DESIGN



- Specifications(规格):
- 1.Impedance(特性阻抗) : 50Ω;
  - 2.Frequency (工作频率) : DC~6GHz;
  - 3.VSWR(驻波比): 1.25 Max.;
  - 4.Insulation resistance(绝缘阻抗) : ≥5000MΩ;
  - 5.Dielectric withstand voltage (介质耐电压) : ≥1000V AC;
  - 6.Mating cycles (耐久性) : ≥500 cycles;
  - 7.Salt mist (盐雾) : 48H;
  - 8.Temperature range(使用温度): -55℃~+165℃;



ANGULAR	±5°
X.	±0.30
X.x	±0.15
X.x(ø)	±0.10
X.xx	±0.10
X.xx(ø)	±0.05
X.xxx	±0.02
UNSPECIFIED TOLERANCES	

NO.	NAME	MATERIAL	FINISH (Contact)	Q'TY	Note
3	Center Conductor	BeCu	Gold PLATED	1 PC	0.075 μm
2	Dielectric	PTFE		1 PC	
1	Outer Conductor	Brass	Gold PLATED	1 PC	0.075 μm

www.helloxkb.com    www.helloxkb.cn    www.xk-dg.cn



DESIGN	希文	VIEW:	
CHECKED		UNIT:	mm/in
APPROVED		SIZE:	A4

MODEL TYPE:		
SMA-KHD029		
PART NO.:		
XMAW-5FSC-CB29		
DWG NO.:		
X-XMAW-5FSC-CB029		

XKB INDUSTRIAL PRECISION CO.,LIMITED

SCALE	PAGE	REVISION
N/A	1/1	A0